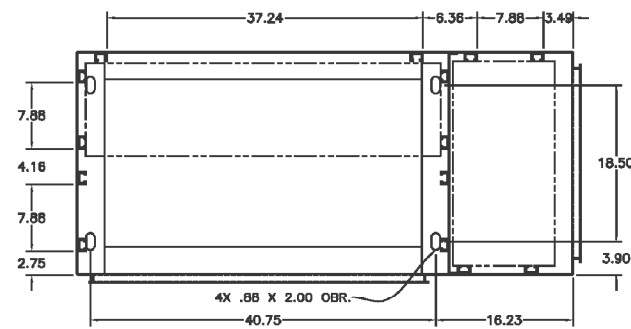
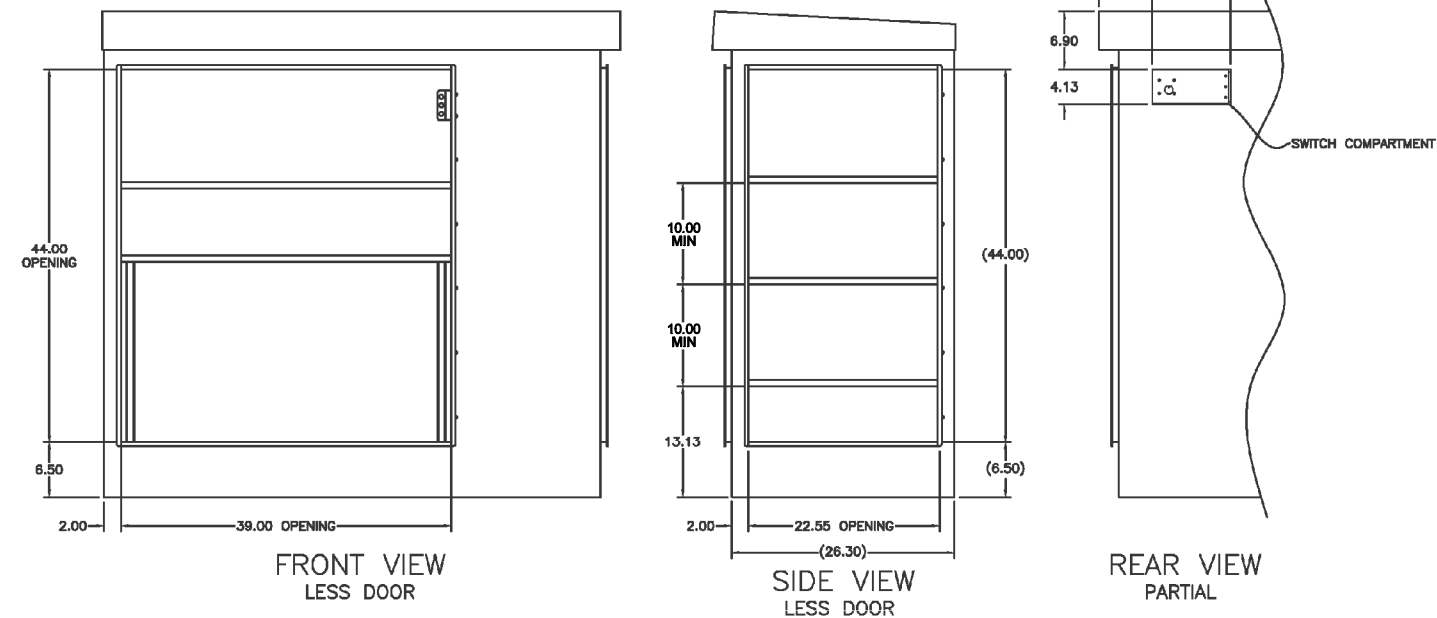


FRONT VIEW

SIDE VIEW



SECTION A-A
DOORS REMOVED FOR CLARITY



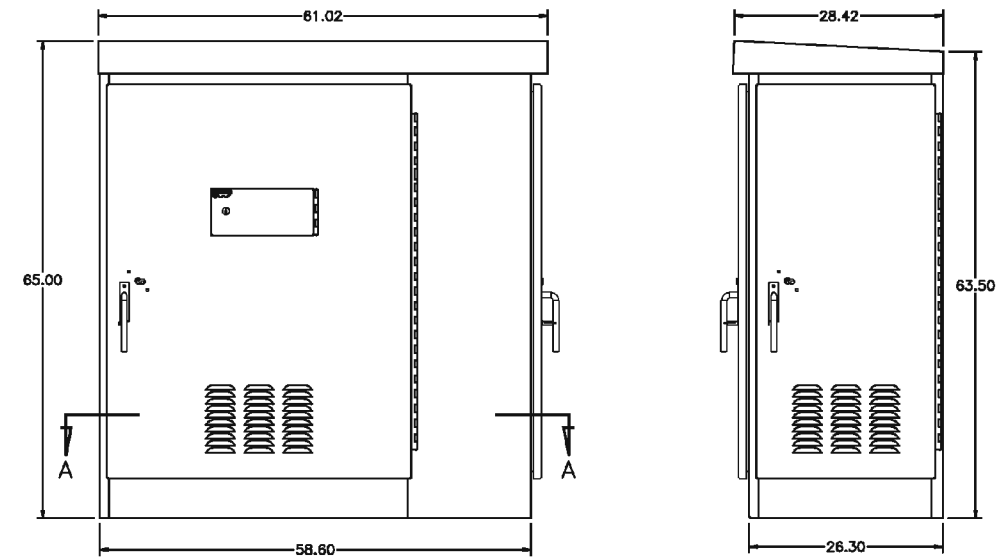
FRONT VIEW
LESS DOOR

SIDE VIEW
LESS DOOR

REAR VIEW
PARTIAL

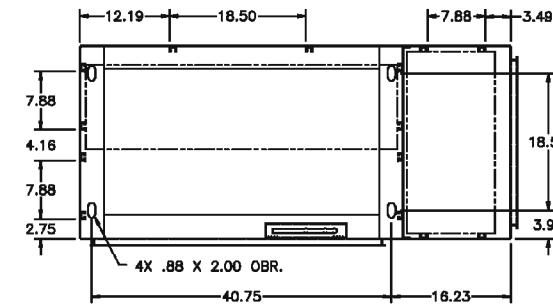
SUPER P TRAFFIC SIGNAL CABINET, TYPE IV, SPECIAL

58.6" W x 57.4" H x 26.3" D
(DIMENSIONS SHOWN IN INCHES)

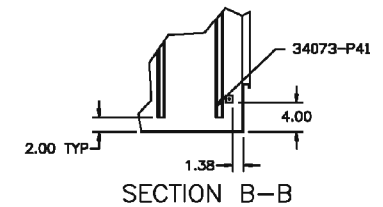


FRONT VIEW

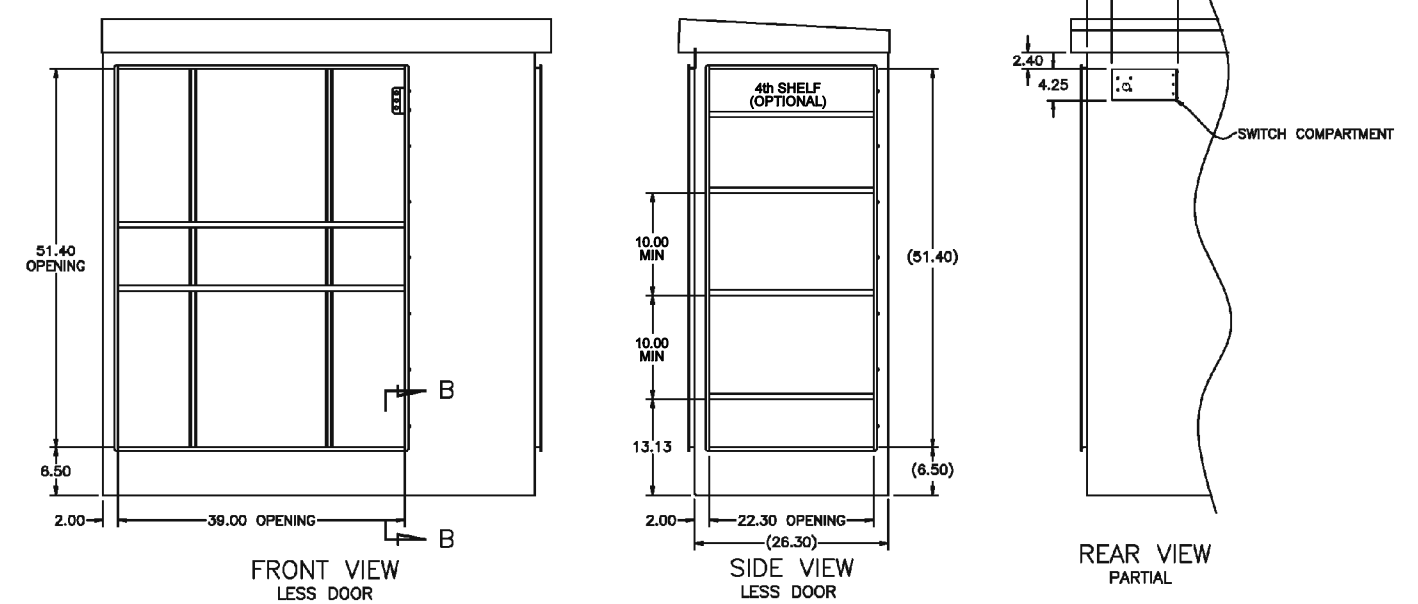
SIDE VIEW



DOORS REMOVED FOR CLARITY
SECTION A-A



SECTION B-B



FRONT VIEW
LESS DOOR

SIDE VIEW
LESS DOOR

REAR VIEW
PARTIAL

SUPER R TRAFFIC SIGNAL CABINET, TYPE V, SPECIAL

58.6" W x 65.0" H x 26.3" D
(DIMENSIONS SHOWN IN INCHES)

FILE NAME =	USER NAME = #USER*	DESIGNED <i>MJM</i>	REVISED -
#FILEL#		DRAWN <i>KES</i>	REVISED -
	PLOT SCALE = #SCALE*	CHECKED <i>JCM</i>	REVISED -
	PLOT DATE = #DATE*	DATE <i>10/15/2012</i>	REVISED -

STATE OF ILLINOIS
DEPARTMENT OF TRANSPORTATION

TRAFFIC SIGNAL CABINET DETAILS
ILLINOIS ROUTE 59

SCALE: SHEET NO. 39 OF 53 SHEETS STA. TO STA.

F.A.P. RTE.	SECTION	COUNTY	TOTAL SHEETS	SHEET NO.
338	(112 & 113) WRS-5	DUPAGE	963	454
TS-38a			CONTRACT NO. 60I31	
ILLINOIS FED. AID PROJECT				