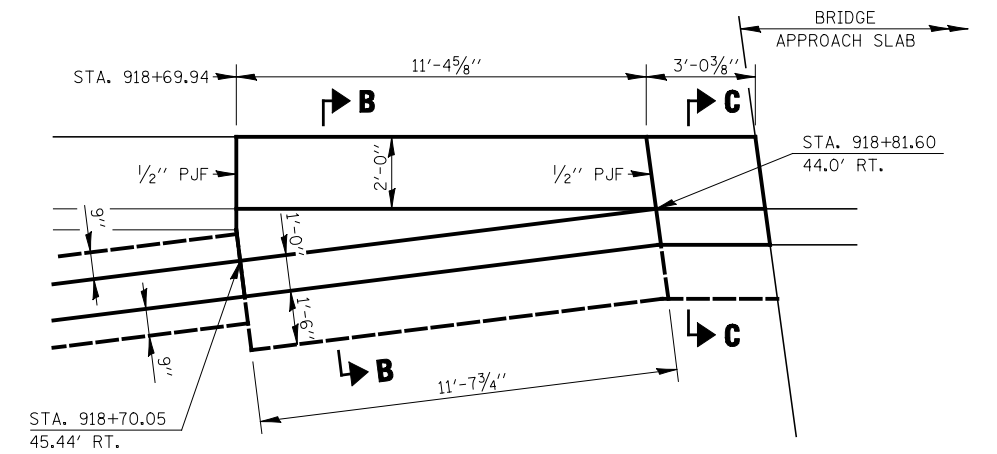
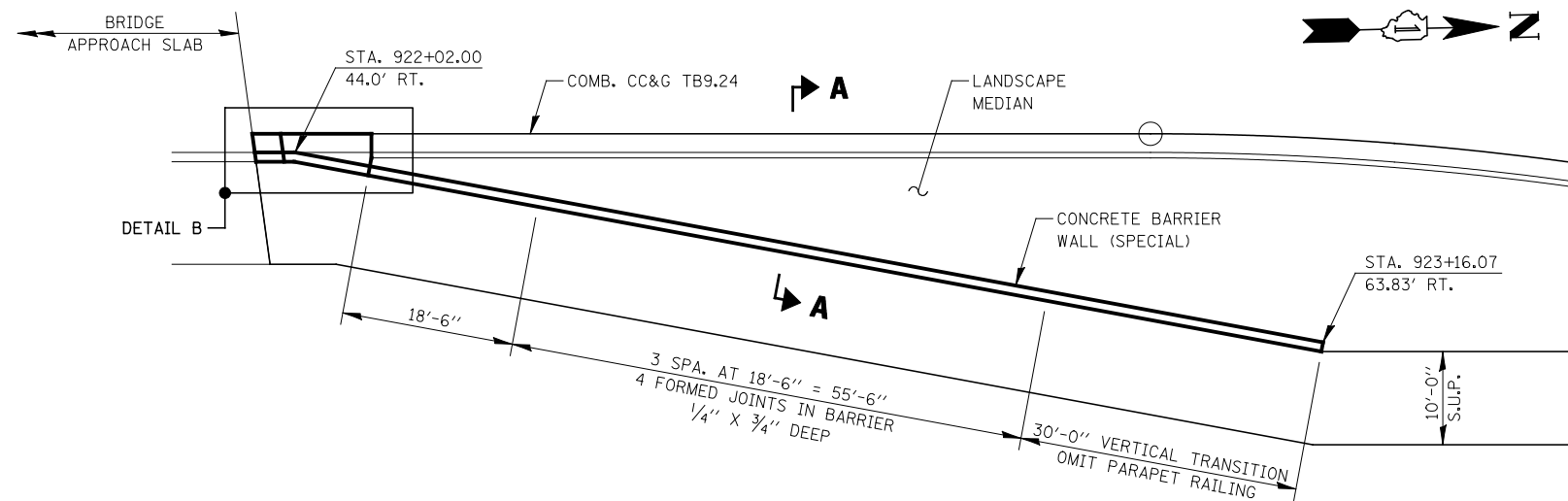


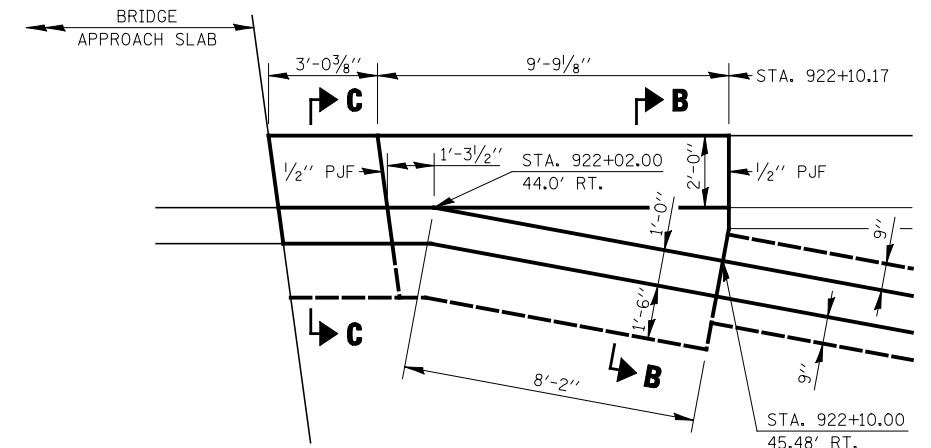
PLAN - SOUTH BARRIER
STA. 917+36 TO STA. 918+85



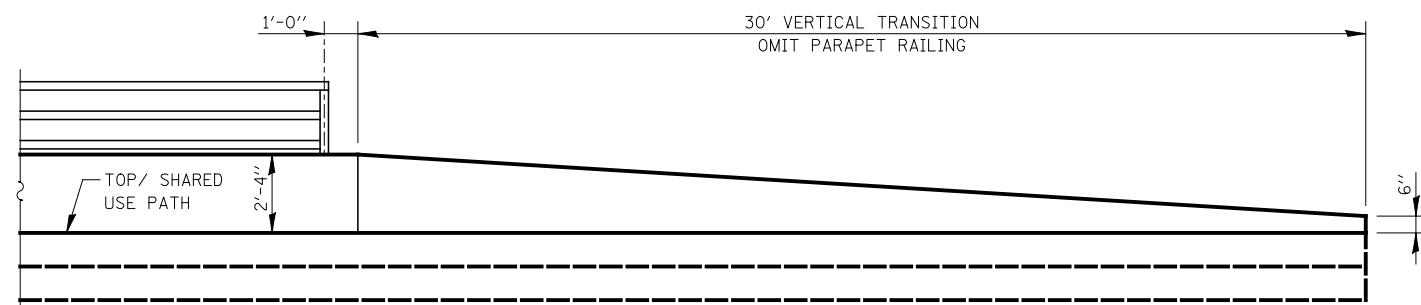
DETAIL A



PLAN - NORTH BARRIER
STA. 921+98 TO STA. 923+16



DETAIL B



ELEVATION VIEW

LEGEND

PJF PREFORMED JOINT FILLER
S.U.P. SHARED USE PATH

NOTES

SEE SHEET DT-02 FOR SECTIONS A-A, B-B AND C-C

SEE STRUCTURAL PLANS FOR BRIDGE APPROACH SLAB DETAILS.

FILE NAME = #FILEL#	USER NAME = #USER#	DESIGNED <i>PJO</i>	REVISED -	STATE OF ILLINOIS DEPARTMENT OF TRANSPORTATION	ROADWAY DETAIL CONCRETE BARRIER WALL (SPECIAL)		F.A.P. RTE.	SECTION	COUNTY	TOTAL SHEETS	SHEET NO.	
		DRAWN <i>KES</i>	REVISED -		SCALE: NONE	SHEET NO. 1 OF 2 SHEETS	STA.	TO STA.	338	(112 & 113) WRS-5	DUPAGE	963 284
		CHECKED <i>JCM</i>	REVISED -						DT-01		CONTRACT NO. 60I31	
		DATE <i>10/15/2012</i>	REVISED -		ILLINOIS FED. AID PROJECT							