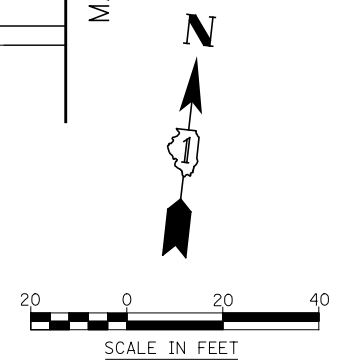


NOTES

1. FOR PROPOSED ILLINOIS ROUTE 59 AND I-88 RAMP BASELINE INFORMATION SEE ALIGNMENT, BENCHMARKS, AND TIES - ILLINOIS ROUTE 59 NORTHBOUND & SOUTHBOUND BASELINE AND I-88 RAMP DATA SHEETS.
2. FOR PROPOSED PAVEMENT, CURB & GUTTER, AND PROFILE INFORMATION SEE PLAN / PROFILE - ILLINOIS ROUTE 59 AND PLAN / PROFILE - I-88 RAMP SHEETS.
3. FOR PROPOSED PAVEMENT MARKING & SIGNAGE INFORMATION SEE PAVEMENT MARKING AND SIGNING - ILLINOIS ROUTE 59 AND PAVEMENT MARKING AND SIGNING - I-88 RAMP SHEETS.



FILE NAME =	USER NAME = \$USER\$	DESIGNED <i>PJO</i>	REVISED -
\$FILE\$		DRAWN <i>KES</i>	REVISED -
	PLOT SCALE = \$SCALE\$	CHECKED <i>JCM</i>	REVISED -
	PLOT DATE = \$DATE\$	DATE <i>10/15/2012</i>	REVISED -

**STATE OF ILLINOIS
DEPARTMENT OF TRANSPORTATION**

GEOMETRIC LAYOUT - RAMP A

SCALE: AS SHOWN | SHEET NO. 13 OF 21 SHEETS | STA. 1022+00 TO STA. 1032+00

F.A.P. RTE.	SECTION	COUNTY	TOTAL SHEETS	SHEET NO.
338	(112 & 113) WRS-5	DUPAGE	963	275
CONTRACT NO. 60131				
ILLINOIS FED. AID PROJECT				