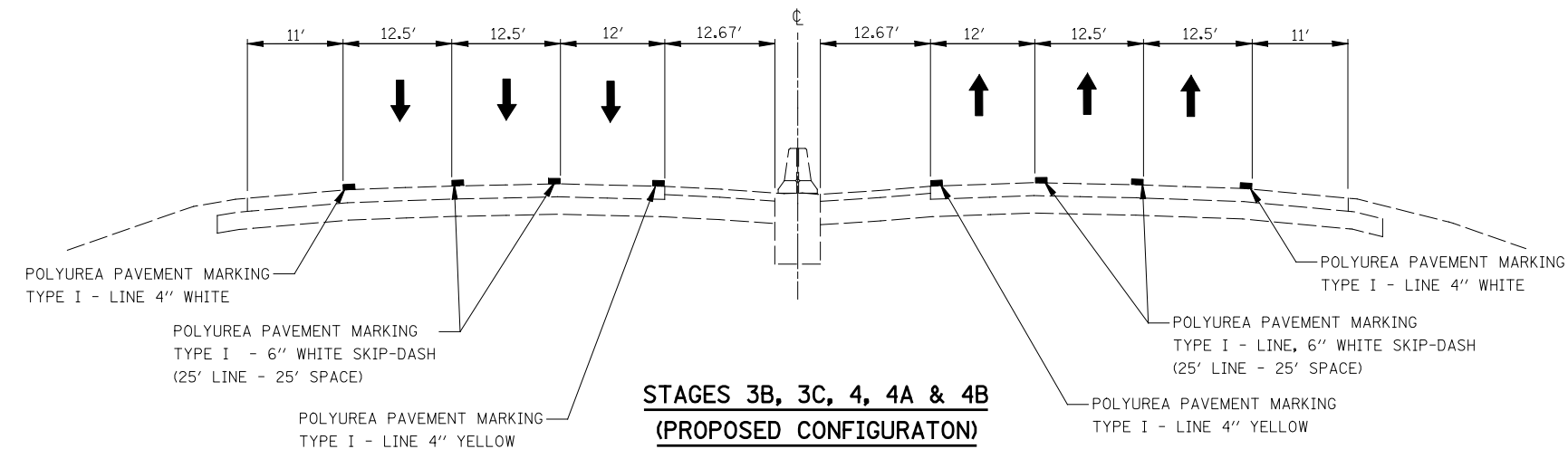
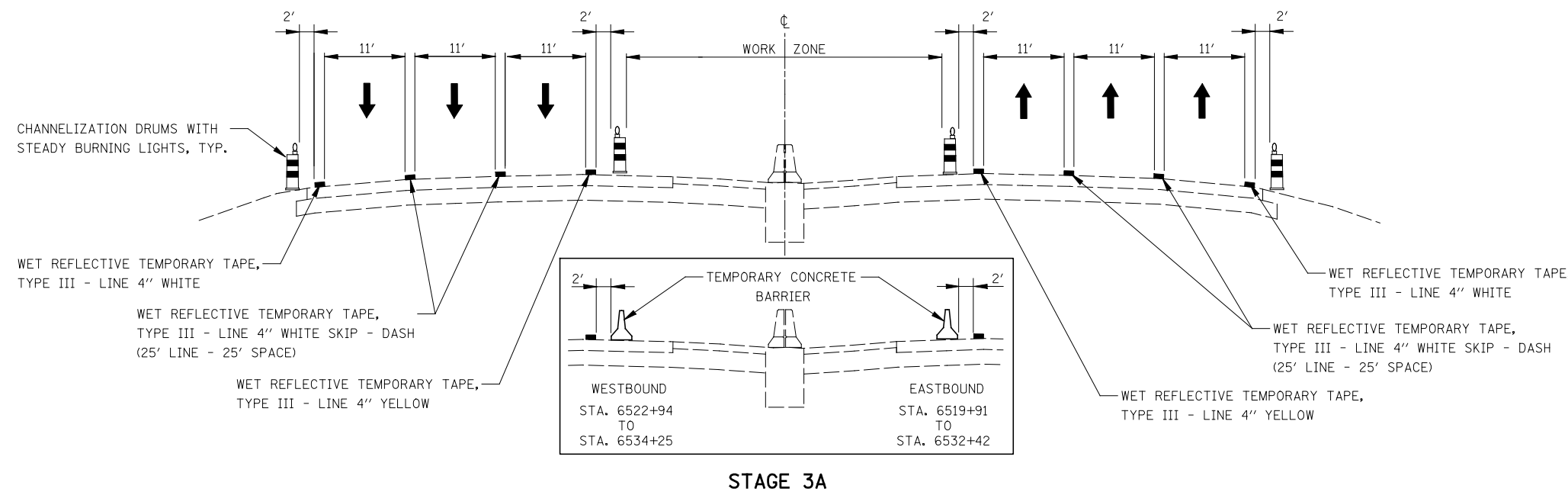


**NOTE**

1. TEMPORARY MODULAR GLARE SCREEN SYSTEM SHALL BE INSTALLED AT LOCATIONS AS SHOWN ON THE MOT PLANS.



FILE NAME = #FILE#	USER NAME = #USER#	DESIGNED <i>PJO</i>	REVISED -	<b>STATE OF ILLINOIS DEPARTMENT OF TRANSPORTATION</b>	<b>MAINTENANCE OF TRAFFIC TYPICAL SECTIONS INTERSTATE 88</b>	F.A.P. RTE.	SECTION	COUNTY	TOTAL SHEETS	SHEET NO.	
		DRAWN <i>KES</i>	REVISED -			338	(112 & 113) WRS-5	DUPAGE	963	110	
		CHECKED <i>JCM</i>	REVISED -			CONTRACT NO. 60I31					
		DATE <i>10/15/2012</i>	REVISED -			ILLINOIS FED. AID PROJECT					
					SCALE:	SHEET NO. 12 OF 17 SHEETS	STA.	TO STA.			