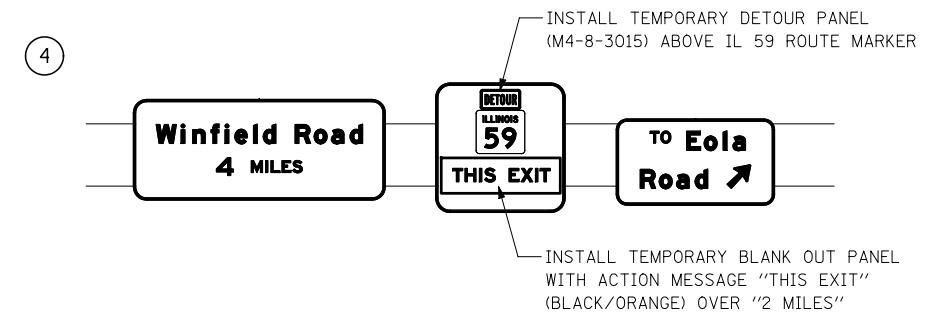


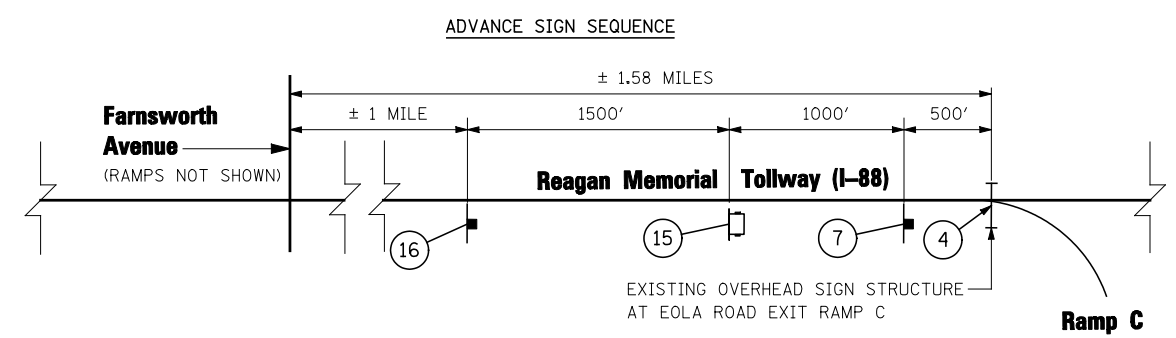
**SIGN LEGEND**

- ① N/A THIS SHEET
- ② N/A THIS SHEET
- ③ N/A THIS SHEET
- ⑤ N/A THIS SHEET



- ⑥ INSTALL TEMPORARY BLANK OUT PANEL WITH ACTION MESSAGE "RAMP CLOSED" (BLACK/ORANGE) OVER "1 MILE"
- ⑦ M4-8(0)-3015, M1-I100-36, M6-2R-3021
- ⑧ M4-8(0)-2412, M1-I100-24, M5-1R(0)-2115
- ⑨ M4-8(0)-2412, M1-I100-24, M6-1-2115
- ⑩ M4-8(0)-2412, M1-I100-24, M5-1L(0)-2115
- ⑪ M4-8(0)-2412, M1-I100-24, M6-1-2115
- ⑫ M4-8(0)-2412, M1-I100-24, M6-3-2115
- ⑬ N/A THIS SHEET
- ⑭ N/A THIS SHEET
- ⑮ PORTABLE CHANGEABLE MESSAGE SIGN  
PHASE I 3-SEC DISPLAY (18" LETTERS)  
PHASE II 3-SEC DISPLAY (18" LETTERS)
- ⑯ W20-2(0)-48
- ⑰ N/A THIS SHEET
- ⑱ M4-8(0)-3015, M1-I100-36, M6-2R-3021  
PLACE DETOUR ASSEMBLY ADJACENT TO EXISTING SIGN

MATCH LINE SEE SHEET 7 OF 8



FILE NAME = #FILE#	USER NAME = #USER#	DESIGNED <i>PJO</i>	REVISED -
		DRAWN <i>KES</i>	REVISED -
		CHECKED <i>JCM</i>	REVISED -
		DATE <i>10/15/2012</i>	REVISED -

**STATE OF ILLINOIS  
DEPARTMENT OF TRANSPORTATION**

**DETOUR PLAN FOR RAMP D CLOSURE (2 OF 2)  
EASTBOUND I-88 TO IL ROUTE 59**

SCALE: N.T.S. SHEET NO. 8 OF 8 SHEETS STA. TO STA.

F.A.P. RTE.	SECTION	COUNTY	TOTAL SHEETS	SHEET NO.
338	(112 & 113) WRS-5	DUPAGE	963	94
CONTRACT NO. 60I31				
ILLINOIS FED. AID PROJECT				