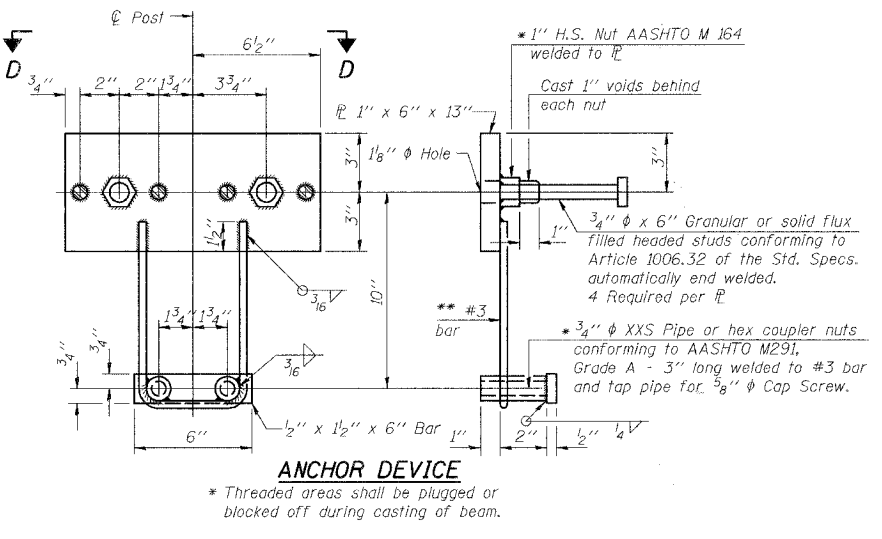
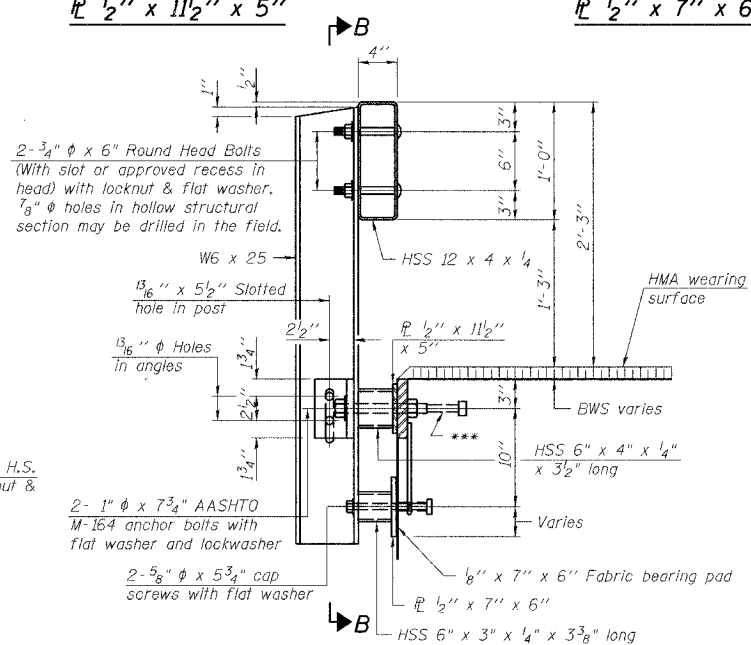
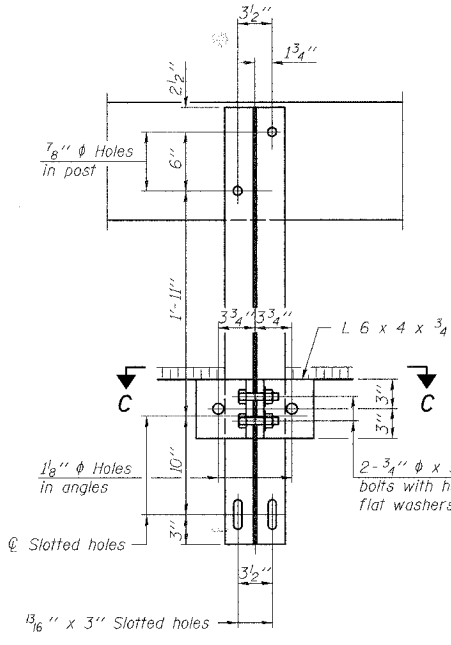
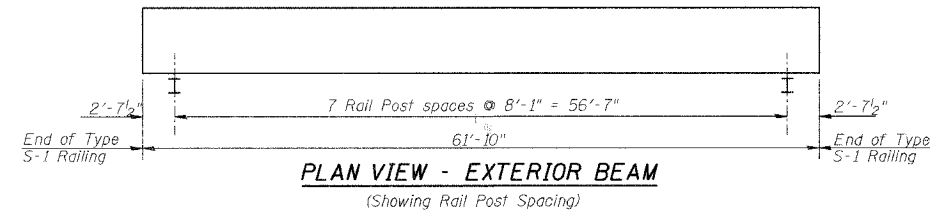
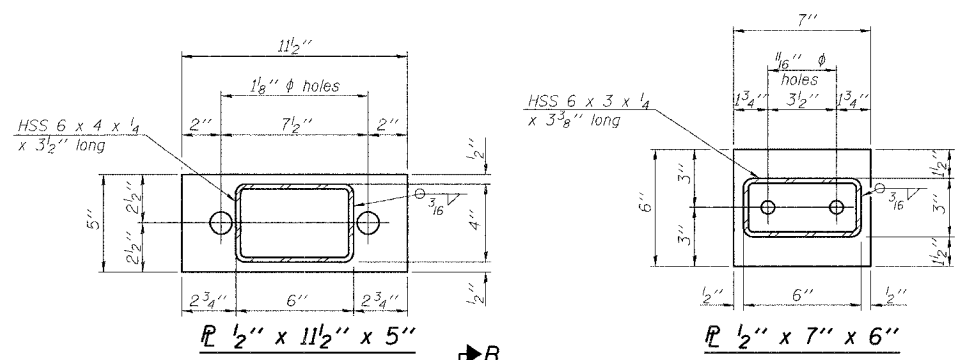
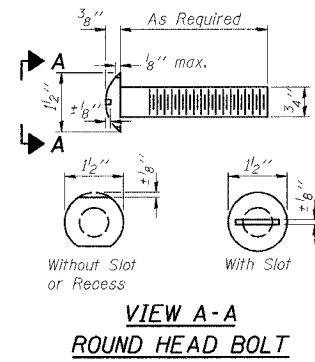
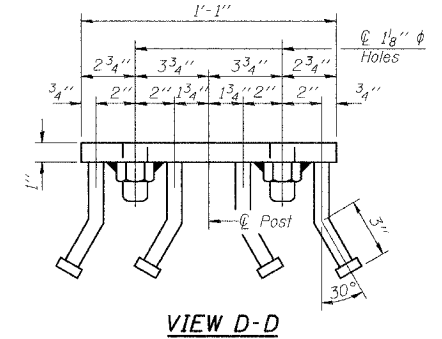


ROUTE NO.	SECTION	COUNTY	TOTAL SHEETS	SHEET NO.
T.R. 256	06-III6-00-BR	MACON	14	12
FED. ROAD DIST. NO.	ILLINOIS PROJECT: BR05-115(63)		CONTRACT NO. 95530	

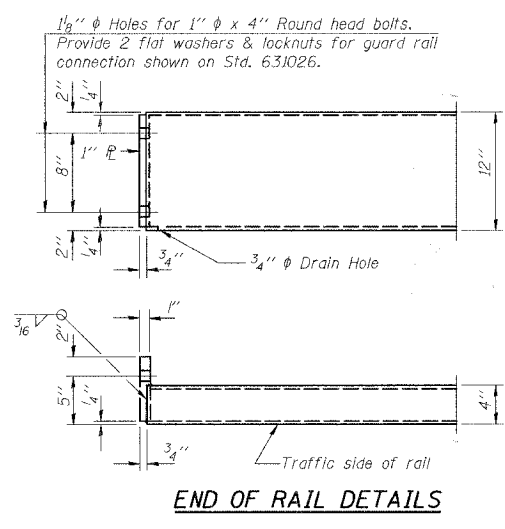
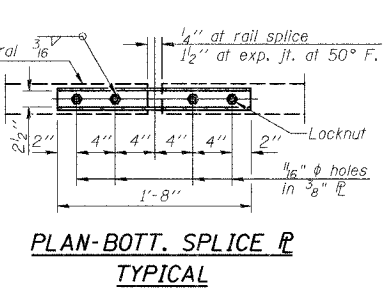
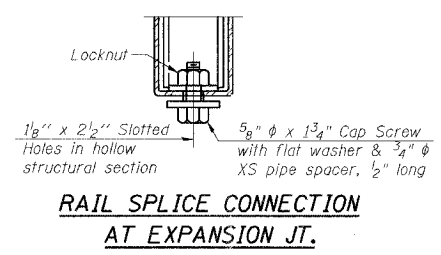
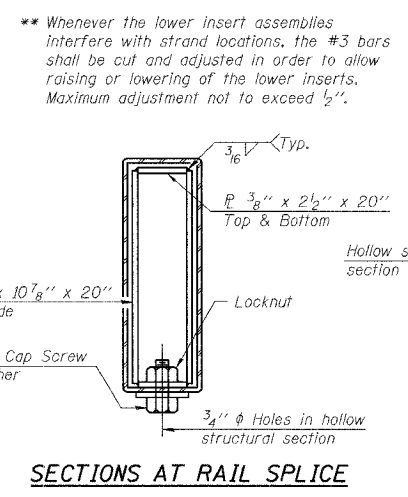
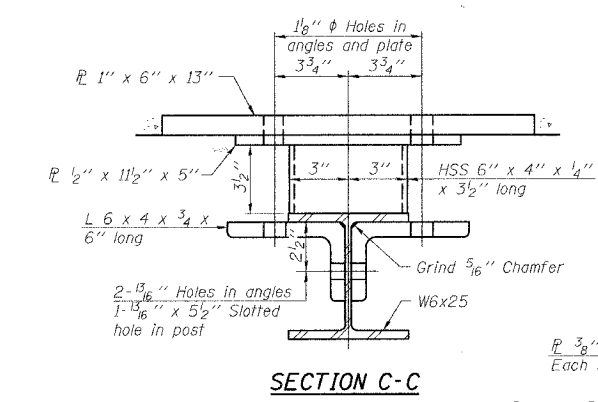


Notes:  
 All field drilled holes shall be coated with an approved zinc rich paint before erection.  
 For multi-span bridges, sufficient 1/4 inch x 6 inch x 1'-2 inch galvanized steel shims shall be provided to align rail between adjacent spans. Cast included with Steel Railing, Type S-1.  
 All steel rail elements shall be galvanized according to Article 509.05 of the Standard Specifications.  
 \*\*\* The studs of the anchor devices shall be placed below the top reinforcement bars and the outermost longitudinal reinforcement bar shall be placed directly above the studs of the rail post anchor device.



**BILL OF MATERIAL**

Item	Unit	Quantity
Steel Railing Type S-1	Foot	124



**STEEL RAILING**

Date	Designed MJJ	T.R. 256 OVER BIG CREEK SECTION 06-III6-00-BR MACON COUNTY STA. 15+01.90 PROP. STR. NO. 058-3389	Sheet No.
Revisions	Drawn BKN		3
	Checked KWB		of 5
	Approved KWB		URS Job No. 36431783
Prepared by:	URS 345 East Ash Avenue Decatur, IL 62526		