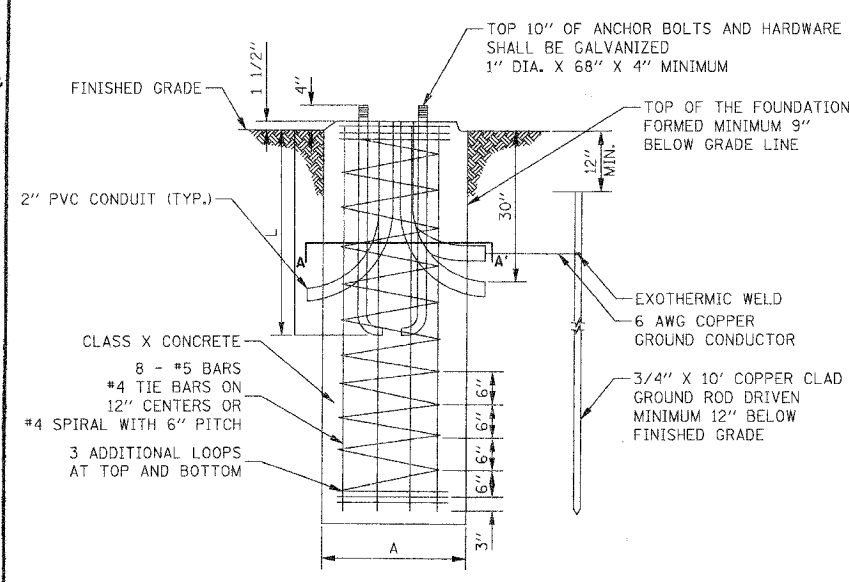
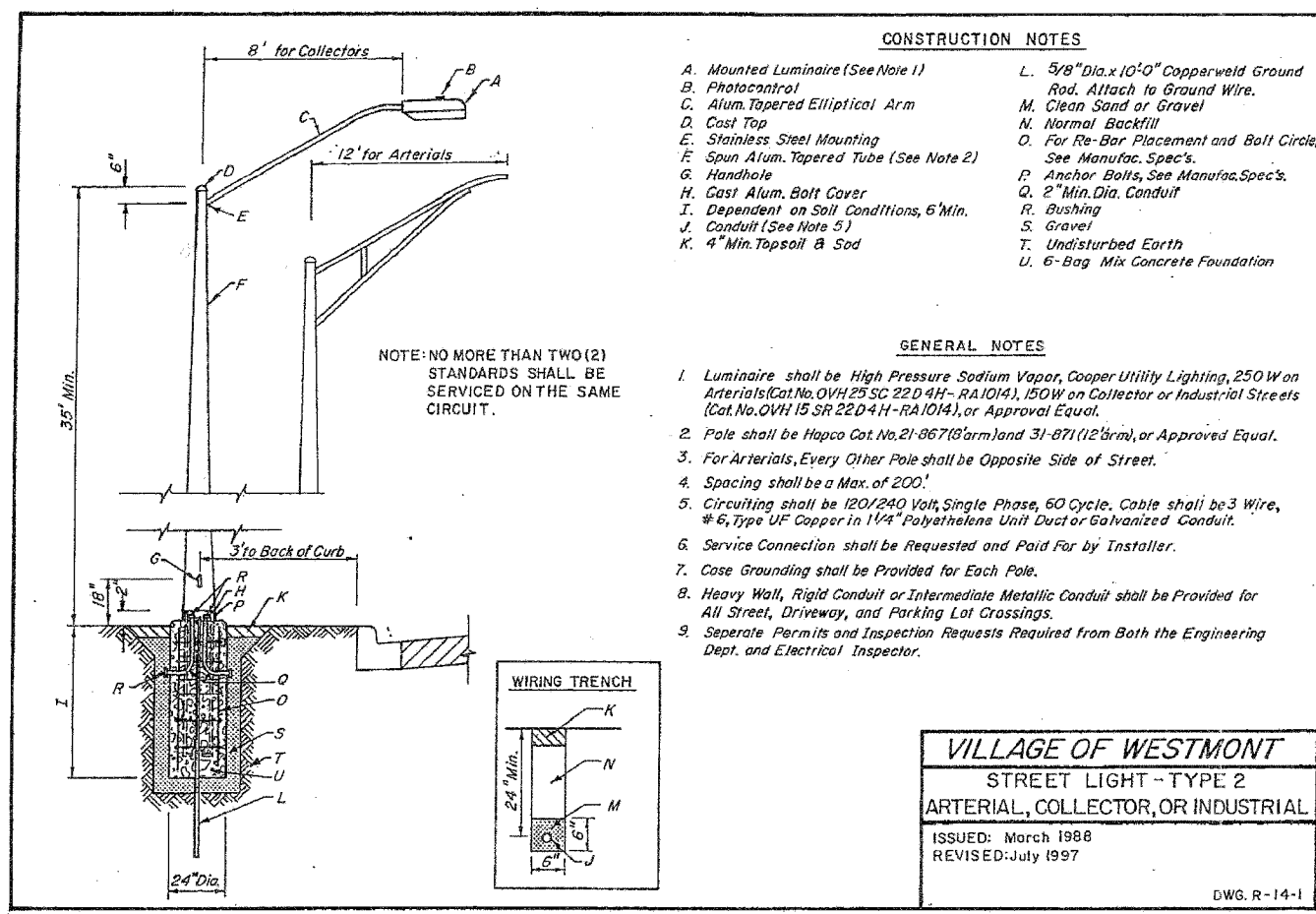


F.A.U. RTE.	SECTION	COUNTY	TOTAL SHEETS	SHEET NO.
2993	05-00094-00-WR	DUPAGE	67	48
STA.		TO STA.		
FED. ROAD DIST. NO. 1		ILLINOIS FED. AID PROJECT		
PROJECT NO.: M-8003 (707)				

PLAN	SURVEYED	DATE
	BY	
	PLOTTED	
	BY	
	REVISIONS	
	NO.	
	DATE	

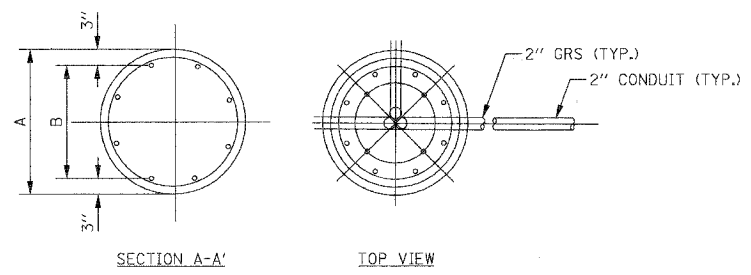
PROFILE	SURVEYED	DATE
	BY	
	PLOTTED	
	BY	
	REVISIONS	
	NO.	
	DATE	

PLOT DATE = #DATE#  
 FILE NAME = #FILE#  
 PLOT SCALE = #SCALE#  
 USER NAME = #USER#

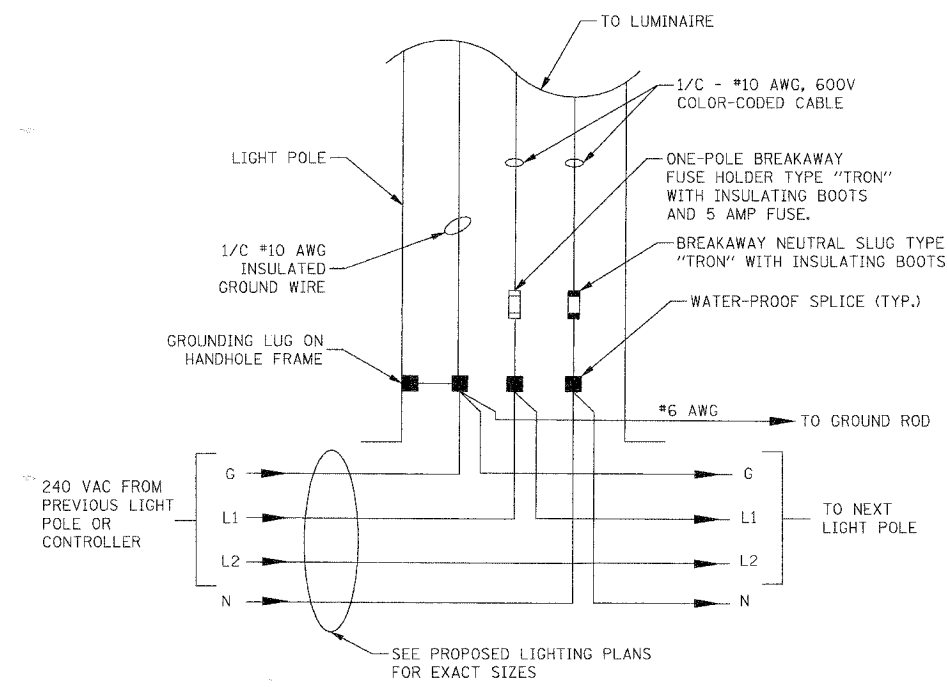


LIGHTING FOUNDATION DIMENSIONS

MOUNTING HEIGHT	A	B	L	ANCHOR BOLT DIAMETER
35'-0"	24"	18"	56"	1"



LIGHT POLE FOUNDATION DETAIL  
 NOT TO SCALE



LIGHT POLE HANDHOLE WIRING DETAIL  
 NOT TO SCALE

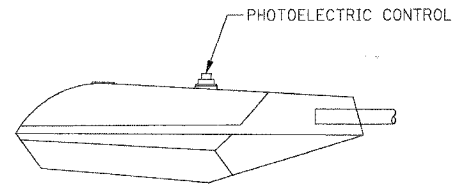
- NOTES:**
- THE ENGINEER SHALL DETERMINE IF THE CLASS OF SOIL DURING THE EXCAVATION AND SELECT THE DEPTH OF THE FOUNDATION FROM THE DESIGN TABLES.
  - EXCAVATION OF THE FOUNDATION SHALL BE MADE WITH A 30" DIAMETER AUGER UNLESS A LARGER DIAMETER IS REQUIRED FOR THE ANCHOR BOLT PATTERN. THE MINIMUM DIAMETER OF THE SHAFT SHALL BE THE ANCHOR BOLT CIRCLE DIAMETER PLUS 12".
  - THE CONTRACTOR SHALL USE A NO. 3 SPIRAL CAGE WITH A 6" PITCH, OR AT HIS OPTION, MAY SUBSTITUTE WITH NO. 3 HOOPS AT 12" ON-CENTER.
  - EACH ANCHOR BOLT SHALL BE FURNISHED WITH TWO (2) FLAT WASHERS AND TWO (2) HEX NUTS. THEY SHALL BE EITHER GALVANIZED OR STAINLESS STEEL TO MATCH THE ANCHOR BOLTS.
  - RACEWAYS SHALL BE INSTALLED PARALLEL TO THE EDGE OF PAVEMENT.
  - ANCHOR BOLTS, RACEWAYS, AND REINFORCING STEEL SHALL BE SECURED IN-PLACE BEFORE THE CONCRETE IS PLACED IN THE FORM.
  - CONCRETE SHALL BE AN IDOT CLASS SI MIX, WITH A MINIMUM STRENGTH OF 3500 PSI.
  - THE CONCRETE SHALL CURE FOR A MINIMUM OF SEVEN (7) DAYS BEFORE ERECTING THE LIGHT POLE.
  - THE CABLE TRENCH SHALL BE BACKFILLED AND FIRMLY COMPACTED BEFORE ERECTING THE LIGHT POLE.
  - ANCHOR BOLTS SHALL PROJECT A MINIMUM OF TWO (2) INCHES AND A MAXIMUM OF FOUR (4) INCHES ABOVE THE TOP OF THE FOUNDATION.
  - RACEWAYS SHALL PROJECT ONE (1) INCH ABOVE THE TOP OF THE FOUNDATION.
  - ALL GROUND ROD CONNECTIONS SHALL BE MADE BELOW GRADE, TWELVE (12) INCHES MINIMUM BURY, WITH EXOTHERMIC INERT GAS WELDS.

TYPE OF SOIL	DESIGN DEPTH		REINFORCEMENT IN FOUNDATION			
	SINGLE ARM D	TWIN ARM D	SINGLE ARM VERT. BARS	SPIRAL	TWIN ARM VERT. BARS	SPIRAL
SOFT CLAY	13'-0"	15'-0"	4-#6X12'-6"	#3X122'	4-#6X14'-6"	#3X141'
MEDIUM CLAY	9'-6"	10'-9"	4-#6X9'-0"	#3X90'	4-#6X10'-3"	#3X100'
STIFF CLAY	8'-0"	8'-0"	4-#6X7'-6"	#3X76'	4-#6X7'-6"	#3X76'
LOOSE SAND	9'-0"	10'-0"	4-#6X8'-6"	#3X85'	4-#6X9'-6"	#3X94'
MEDIUM SAND	8'-3"	9'-0"	4-#6X7'-9"	#3X78'	4-#6X8'-6"	#3X85'
DENSE SAND	8'-0"	9'-0"	4-#6X7'-6"	#3X76'	4-#6X8'-6"	#3X85'

- NOTES:**
- THE CONTRACTOR, AT HIS OPTION, MAY SUBSTITUTE #3 HOOPS AT 12" ON-CENTER FOR SPIRAL CAGE.
  - THE CONTRACTOR SHALL USE THE VALUES FOR TWIN ARM INSTALLATION FOR THIS PROJECT.

LIGHT FIXTURE SCHEDULE

LABEL	ARRANGEMENT	LUMENS	LLF	DESCRIPTION
A1	SINGLE	16,000	0.700	OVH15S2204H-RA1014



- NOTE:**
- PHOTOELECTRIC CONTROL TO BE INCLUDED WITH EACH LUMINAIRE.
- 150 WATT HPS LUMINAIRE**

E-08		8 OF 12	
REVISIONS		ILLINOIS DEPARTMENT OF TRANSPORTATION	
NAME	DATE	VILLAGE OF WESTMONT WILLIAMS STREET RECONSTRUCTION	
		ELECTRICAL DETAILS SHEET 1 OF 5	
		SCALE: NONE	DRAWN BY: FO
		DATE: 09/21/07	CHECKED BY: DEM