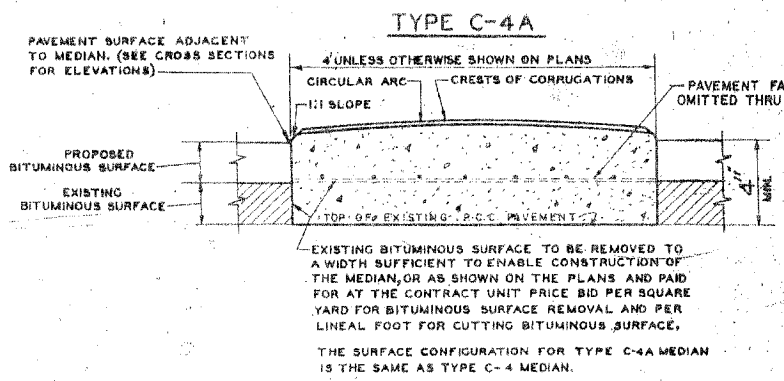
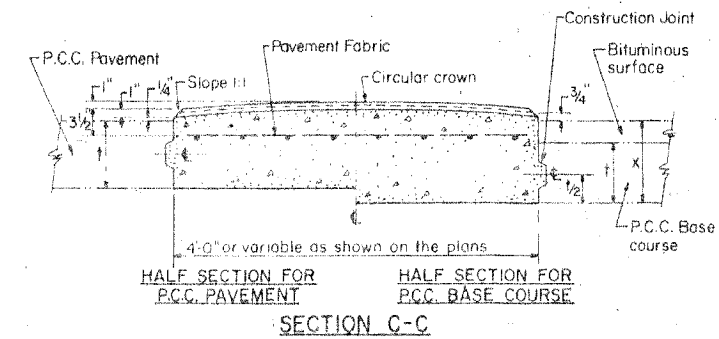
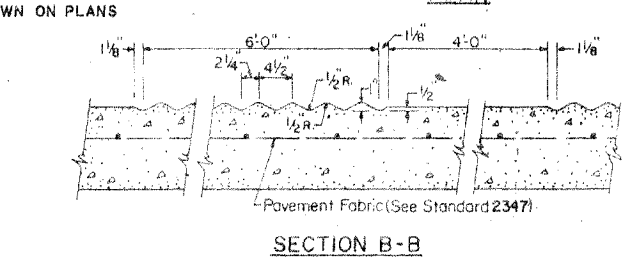
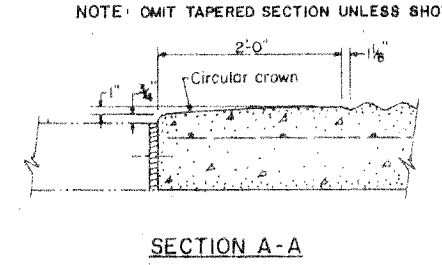
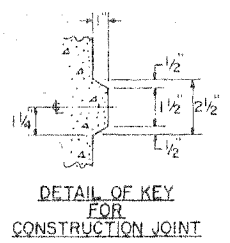
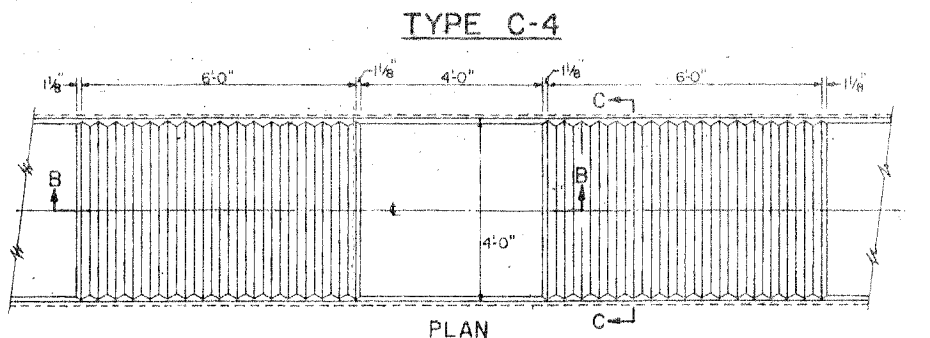
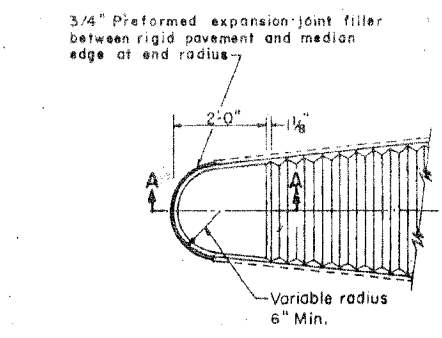
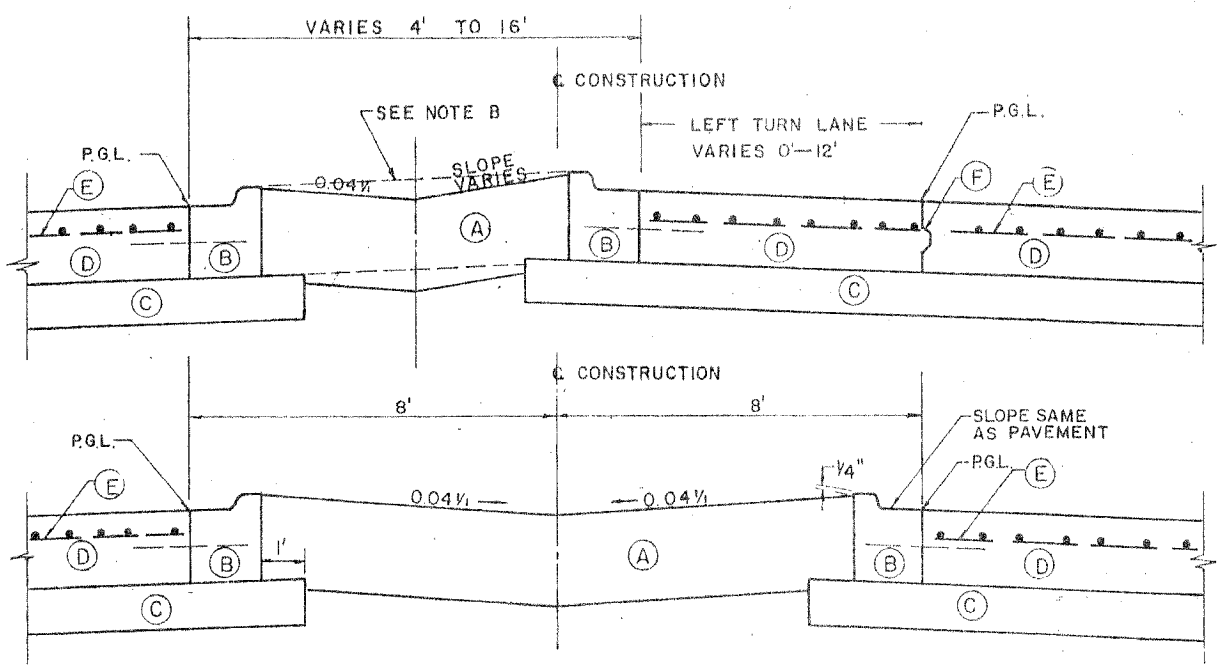
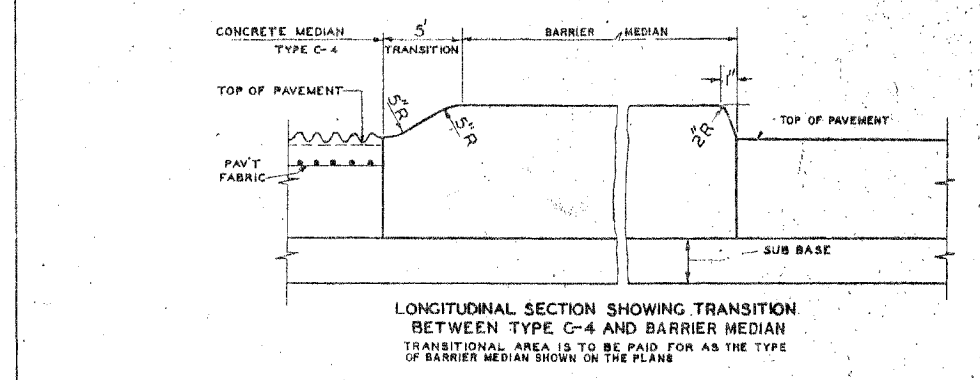


# STANDARD DESIGN CONCRETE MEDIANS

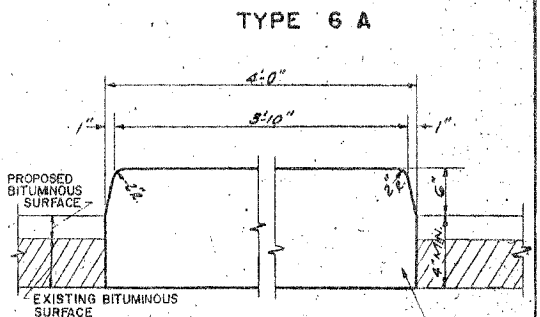
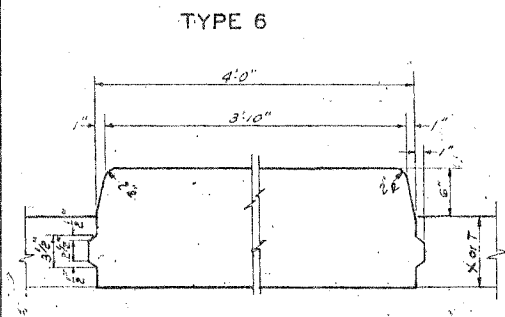


NOTE:  
 IN LIEU OF CONTRACTION JOINTS A 3/4" PREFORMED EXPANSION JOINT FILLER SHALL BE INSTALLED AT LOCATIONS COINCIDENT WITH TRANSVERSE JOINTS IN THE EXISTING PAVEMENT. JOINTS SHALL BE INSTALLED IN MEDIAN AT 20 FT. INTERVALS OR AS DIRECTED BY THE ENGINEER.



NOTE B: AT LOCATION NOTED ON PLANS THE MEDIAN SURFACE SHALL BE A STRAIGHT LINE FROM TOP OF CURB TO TOP OF CURB.

- (A) BITUMINOUS SHOULDERS (12 INCH)
- (B) COMBINATION CONCRETE CURB AND GUTTER, M-212
- (C) SUB-BASE GRANULAR MATERIAL, TYPE B (6 INCH)
- (D) PORTLAND CEMENT CONCRETE PAVEMENT (10 INCH)
- (E) PAVEMENT FABRIC
- (F) CONSTRUCTION JOINT (FOR TYPE SEE PLANS)



EXISTING BITUMINOUS SURFACE TO BE REMOVED TO A WIDTH SUFFICIENT TO ENABLE CONSTRUCTION OF THE MEDIAN, OR AS SHOWN ON THE PLANS AND PAID FOR AT THE CONTRACT UNIT PRICE BID PER SQUARE YARD FOR BITUMINOUS SURFACE REMOVAL AND PER LINEAL FOOT FOR CUTTING BITUMINOUS SURFACE.

GENERAL NOTES  
 Dimension "t" is equal to the adjacent pavement edge thickness or base course edge thickness.  
 Dimension "x" is equal to the adjacent base course edge thickness plus the bituminous surface edge thickness.

The cost of furnishing and placing pavement fabric in the median shall be included in the unit price bid per square foot for CONCRETE MEDIAN, TYPE C-4 and TYPE C-4A respectively.  
 EXPANSION JOINTS - Shall be of a type similar to that in the adjacent pavement except dowel bars will not be required.  
 CONTRACTION JOINTS - Shall be constructed and sealed in the same manner as the joints in the adjacent pavement, or shall be constructed with a 3/4" preformed expansion joint filler conforming to the full cross-section of the median. Dowel Bars to be omitted in median joints.

The earth work shall be considered as being incidental to Earth Excavation.  
 Plan views of medians shown are typical. Median layout and radii shall be as shown on the plans.  
 Medians may vary in width as required on the plans, but regardless of any width variation, shall be measured and paid for at the contract unit price per square foot for concrete median of the type specified.  
 The vertical edge dimension for Type C-4 Median shall be 10" when constructed adjacent to flexible pavement. Also, keyway shall be omitted and contraction joints shall be installed at 20' intervals.  
 Contraction and expansion joints shall be installed in Type C-4 median in prolongation with joints in adjacent P.C.C. Pavement. For median adjacent to bituminous surfaces, contraction joints shall be installed at 20' intervals.

Rev. 7-16-79 W.J.W.  
 Revised 5-27-70 - L.O.S.  
 Revised 7-8-81 W.J.W.  
 (Full Size)

STATE OF ILLINOIS DEPARTMENT OF TRANSPORTATION		ISSUED 12-12-62	
PASSED May 29 1975		REVISIONS	
APPROVED May 29 1975		W.F. 8-27-68	
Engineer of Design Operations		W.F. 1-15-69	
		W.F. 10-1-69	
		D.W. 9-4-73	
		D.W. 10-31-74	
		D.W. 5-29-75	
		D.W. 7-15-77	
		Redrawn 8-27-68	

NOT TO SCALE

COUNTY OF COCK  
 DEPARTMENT OF HIGHWAYS  
 GEORGE W. DUNNE  
 PRESIDENT

DETAILS OF CONCRETE MEDIANS

COMPUTED: M.K.  
 DRAWN: M.K.  
 CHECKED: W.J.W.

APPROVED: [Signature]  
 W.F.