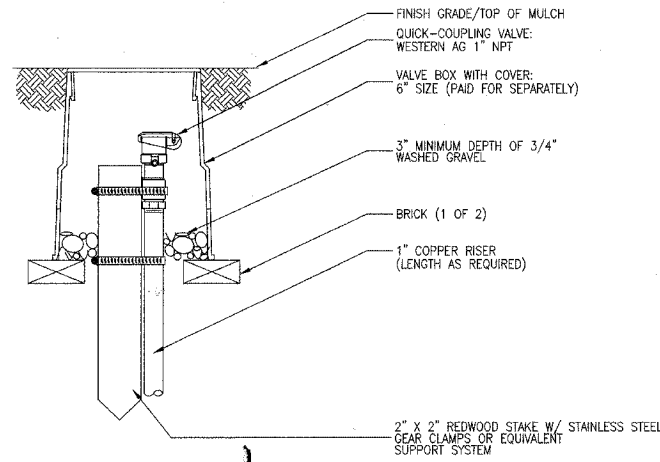


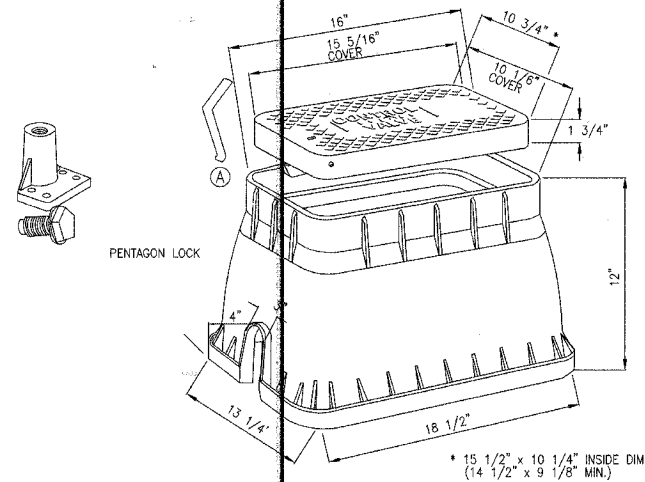
F.A.U. RTE.	SECTION	COUNTY	TOTAL SHEETS	SHEET NO.
1338	05-00083-00-FF	COOK	167	86
FED. ROAD DIST. NO. 7 ILLINOIS FED. AID PROJECT M-8003(5)2				



NOTES:  
 1. INSTALLATION TO BE COMPLETED IN ACCORDANCE WITH MANUFACTURER'S SPECIFICATIONS.

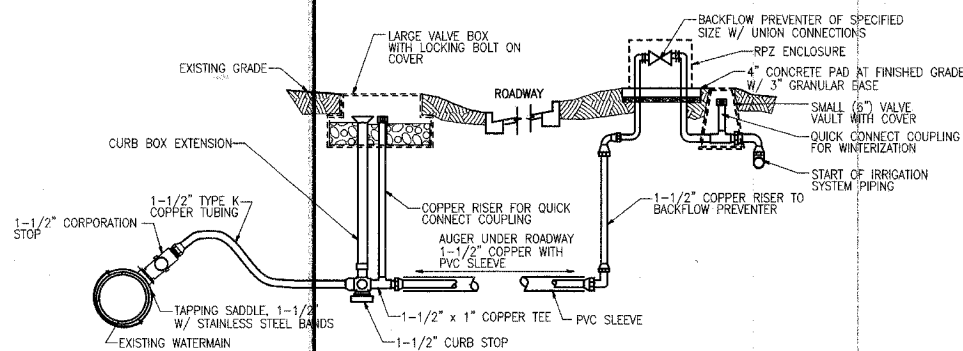
**QUICK COUPLE**

RUBBER COVERED QUICK COUPLING VALVE IN A VALVE BOX, ON A SWING JOINT STABILIZED WITH A REDWOOD STAKE AND CLAMPS.

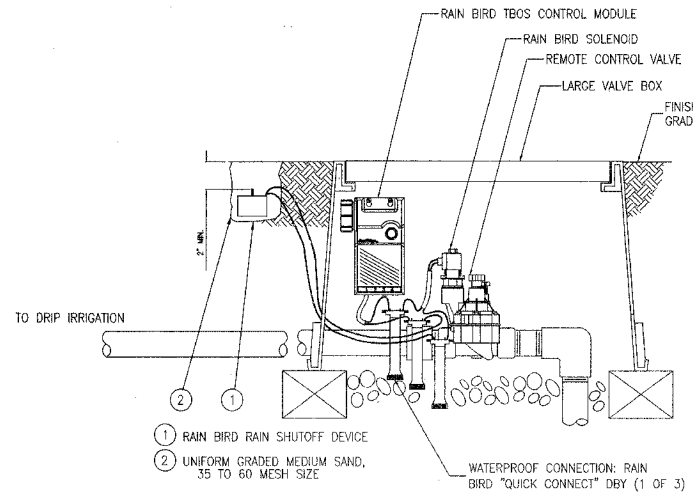


NOTES:  
 1. INSTALLATION TO BE COMPLETED IN ACCORDANCE WITH MANUFACTURER'S SPECIFICATIONS.

**LARGE VALVE BOX**

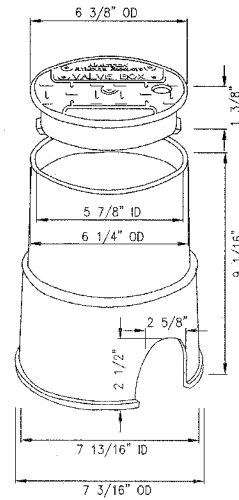


**WATER SERVICE CONNECTION & BACKFLOW PREVENTER DETAIL FOR MEDIAN IRRIGATION SYSTEM**



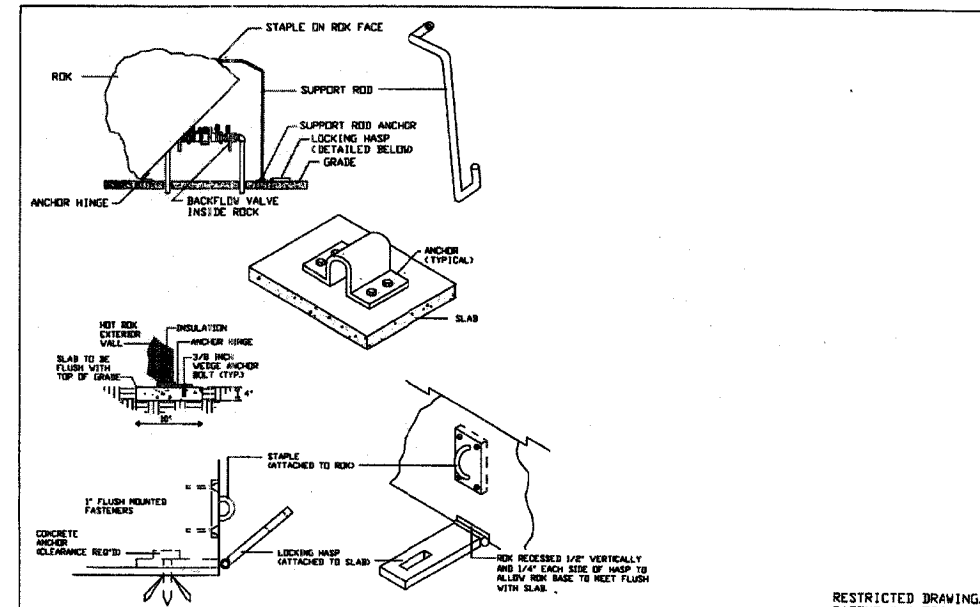
NOTES:  
 1. INSTALLATION TO BE COMPLETED IN ACCORDANCE WITH MANUFACTURER'S SPECIFICATIONS.  
 2. DO NOT SCALE DRAWINGS.

**TBOS SYSTEM (PAID FOR AS "IRRIGATION SYSTEM")**



NOTES:  
 1. INSTALLATION TO BE COMPLETED IN ACCORDANCE WITH MANUFACTURER'S SPECIFICATIONS.  
 2. DO NOT SCALE DRAWINGS.

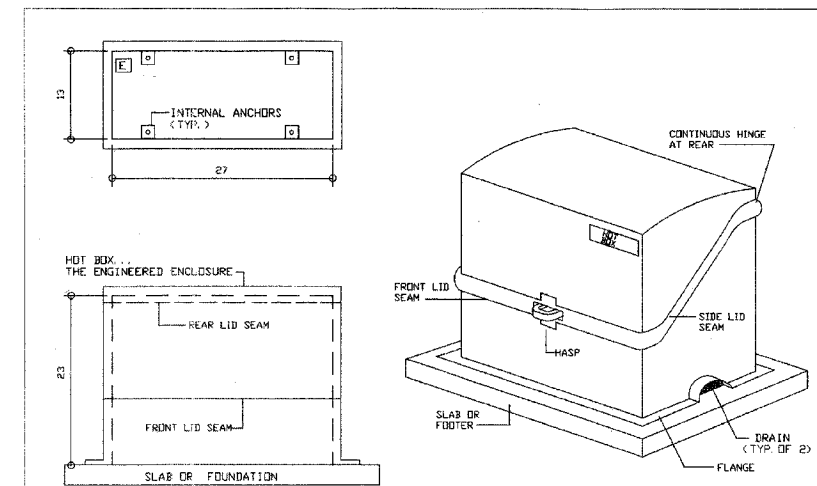
**VALVE BOX 6"**



RESTRICTED DRAWING PATENT # 4,726,394

Hot Box® 250 LANE AVE. N. JACKSONVILLE, FLORIDA 32254 (904) 786-0284 (800) 736-0238 FAX (904) 783-6965 http://www.hot-box.com		TITLE: HOT ROK® INSTALLATION GUIDELINES	BY/DATE/IMG: BGA / 10-12-98 ROK/INST
ENGINEER / CONTRACTOR:	LOCATION: CATALOG DRAWING	APPROVED/DATE:	
REV. 1: 1-26-99	REV. 2:	REV. 3:	QUOTE NO:
SCALE: N. T. S.		REP. / DISTRIBUTOR:	

**RPZ ENCLOSURE TYPE 1 (INCLUDED IN COST OF RPZ BACKFLOW PREVENTER, 1 1/2", TYPE 1)**



RESTRICTED DRAWING PATENT # 4,726,394

Hot Box® 250 LANE AVE. N. JACKSONVILLE, FLORIDA 32254 (904) 786-0284 (800) 736-0238 FAX (904) 783-6965 http://www.hot-box.com		TITLE: STANDARD # HB1 FIBERGLASS ENCLOSURE	BY/DATE/IMG: SBT / 7-15-99 HBI
ENGINEER / CONTRACTOR:	LOCATION:	APPROVED/DATE:	
REV. 1:	REV. 2:	REV. 3:	QUOTE NO:
SCALE: N. T. S.		REP. / DISTRIBUTOR:	

**RPZ ENCLOSURE, TYPE 2 (INCLUDED IN COST OF RPZ BACKFLOW PREVENTER, 1 1/2", TYPE 2)**

ILLINOIS DEPARTMENT OF TRANSPORTATION

**IRRIGATION DETAILS**

DATE: 9/28/07  
 DESIGNED BY: DJK  
 CHECKED BY: JRV

NOT TO SCALE