

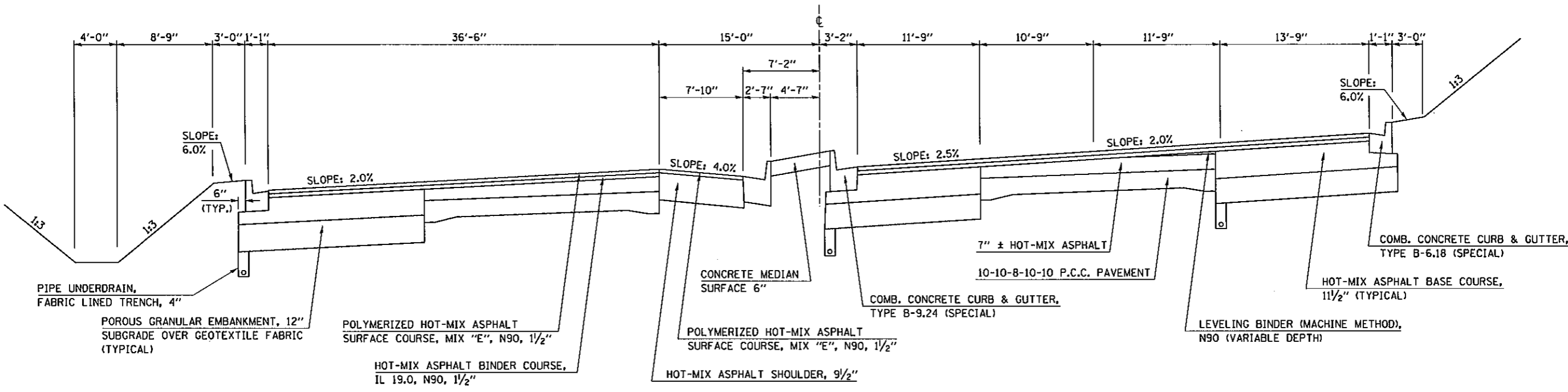
F.A. RTE.	SECTION	COUNTY	TOTAL SHEETS	SHEET NO.
*	*	**	35	23

* D5 CRACK & JOINT SEAL 2008-1
** DEWITT/PIATT/MCLEAN

LOCATION #3
SHEET 5 OF 6

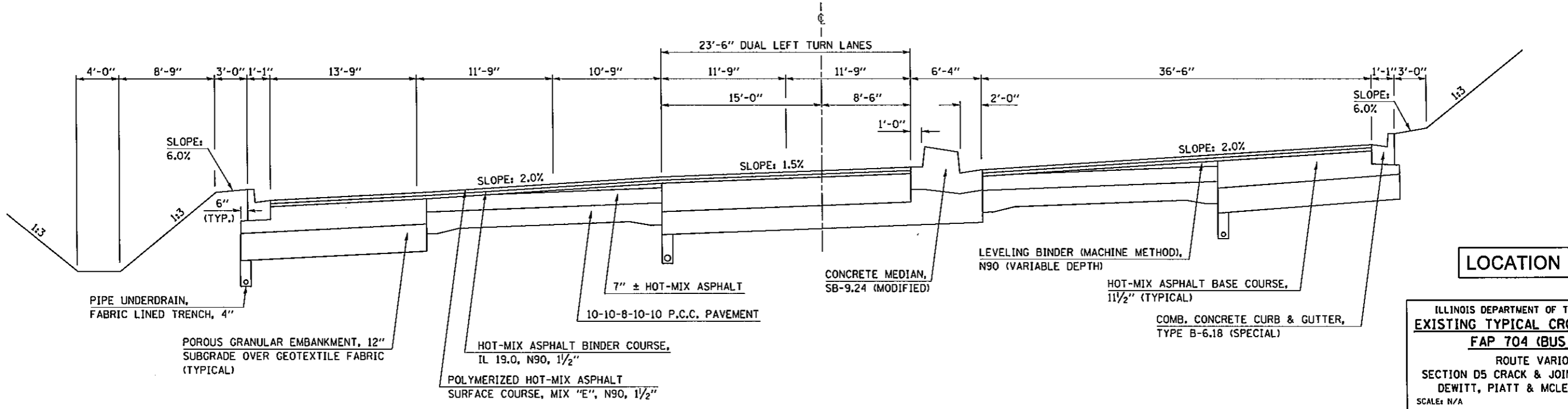
EXISTING TYPICAL CROSS SECTION – FAP 704 (BUS I-55) 9

WITH SINGLE LEFT TURN LANE
(SUPERELEVATED NORTHBOUND)



EXISTING TYPICAL CROSS SECTION – FAP 704 (BUS I-55) 10

WITH DOUBLE LEFT TURN LANE
(SUPERELEVATED SOUTHBOUND)



LOCATION #3

ILLINOIS DEPARTMENT OF TRANSPORTATION
EXISTING TYPICAL CROSS SECTIONS
FAP 704 (BUS I-55)

ROUTE VARIOUS
SECTION D5 CRACK & JOINT SEAL 2008-1
DEWITT, PIATT & MCLEAN COUNTIES

SCALE: N/A
DATE: 08/23/07

DRAWN BY: JRP
CHECKED BY:

PLOT DATE = 02/12/08
 FILE NAME = 04170658.dgn
 PLOT SCALE = 43.191 / IN.
 USER NAME = collinb