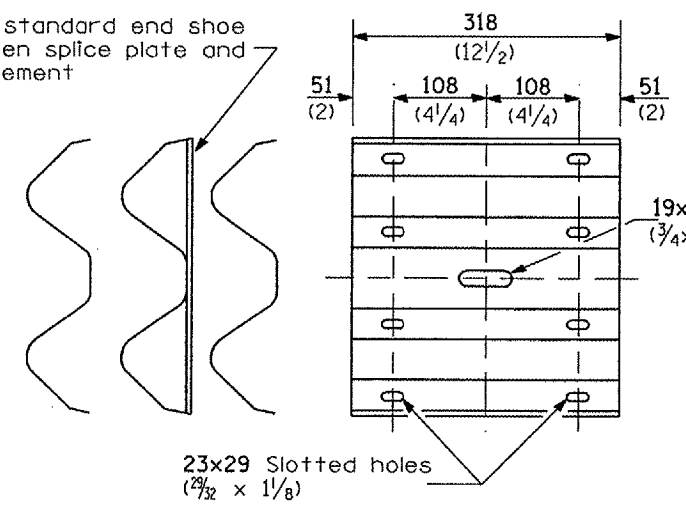
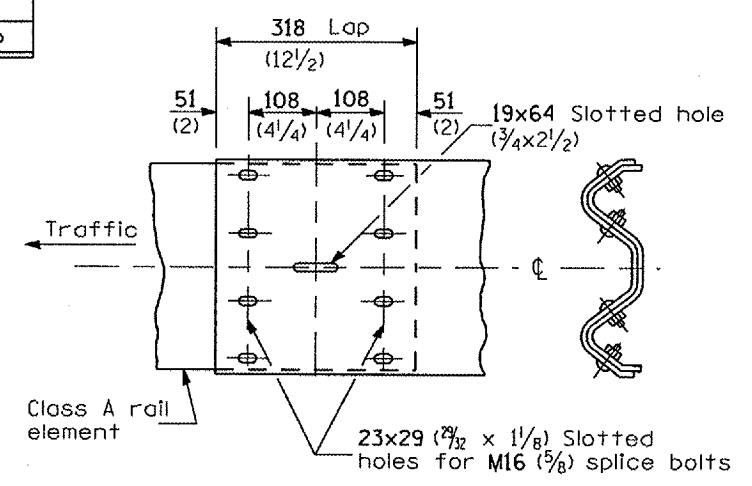


CONTRACT NO. 68515				
F.A.S. RITE.	SECTION	COUNTY	TOTAL SHEETS	SHEET NO.
1380		PEORIA	16	16C
STA. 46+00		TO STA. 49+00		
FED. ROAD DIST. NO. 4 ILLINOIS FED. AID PROJECT				
• D4 SCOUR MITIGATION 2008				

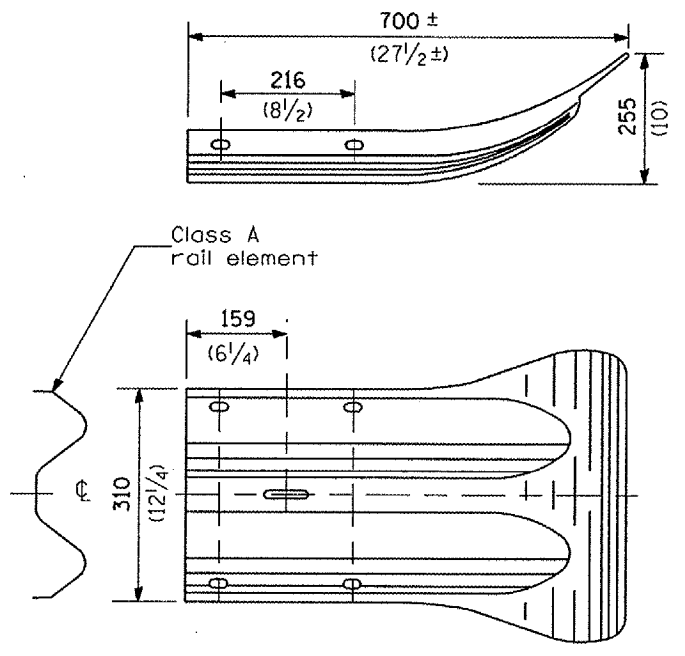
Place standard end shoe between splice plate and rail element



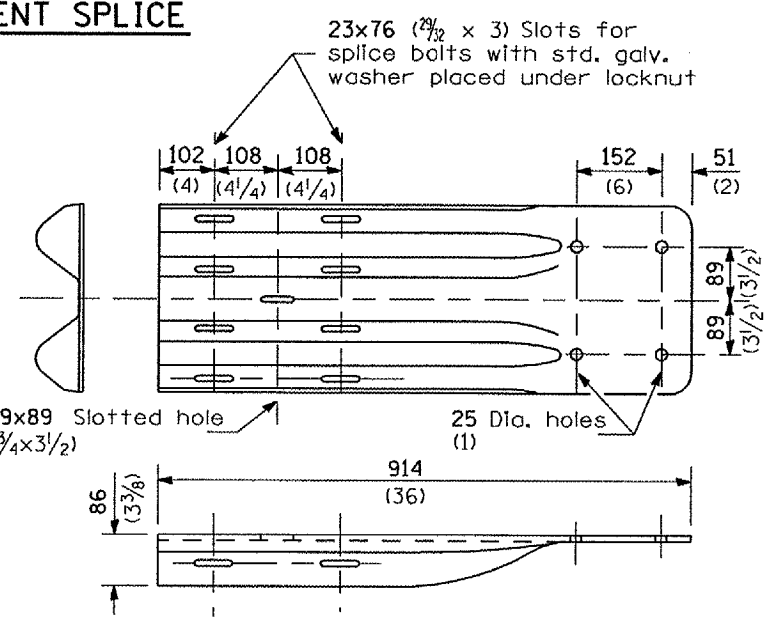
SPLICE PLATE



RAIL ELEMENT SPLICE



END SECTION



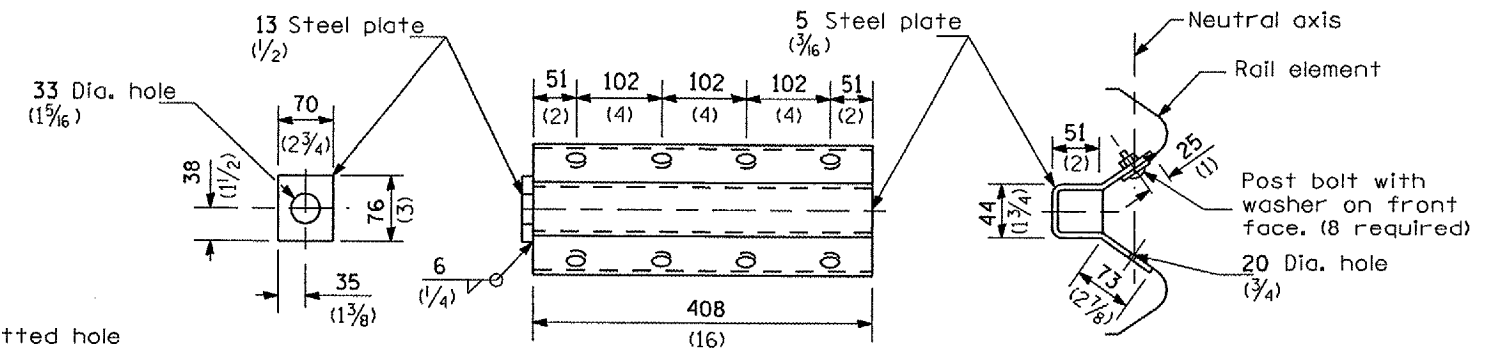
NOTE

When end shoe is attached to a bridge parapet which has an expansion joint, the bolts shall be provided with a locknut or double nut and shall be tightened only to a point that will allow guardrail movement.

The standard end shoe shall be attached to the concrete with pre-drilled or self-drilling anchor bolts. The anchor cone shall be set flush with the surface of the concrete.

Externally threaded studs protruding from the surface of the concrete will not be permitted.

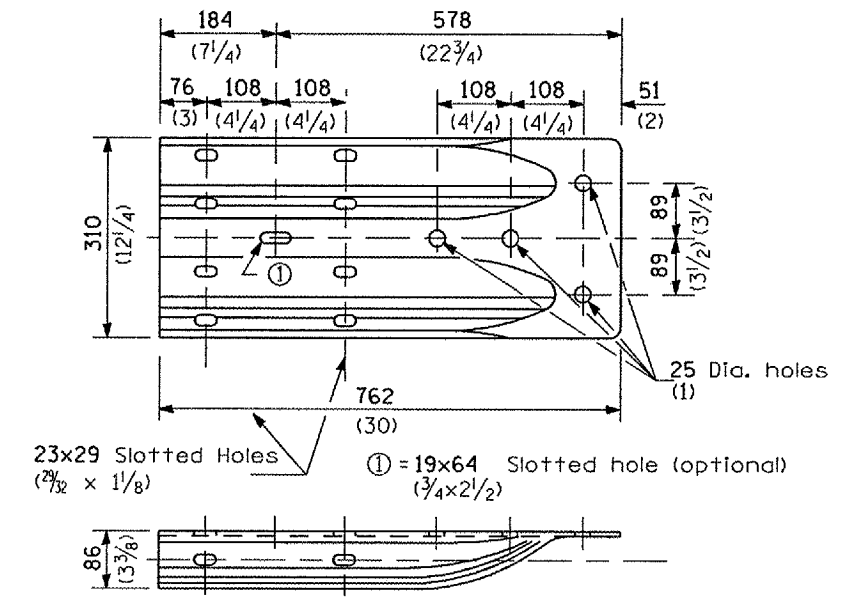
END SHOE



NOTE

Anchor plate T shall be used to attach cable assembly to guardrail when required on traffic barrier terminals.

ANCHOR PLATE T DETAILS



ALTERNATE END SHOE

**REMOVE AND REERECT
STEEL PLATE BEAM GUARDRAIL**
(Sheet 3 of 4)

DETAIL