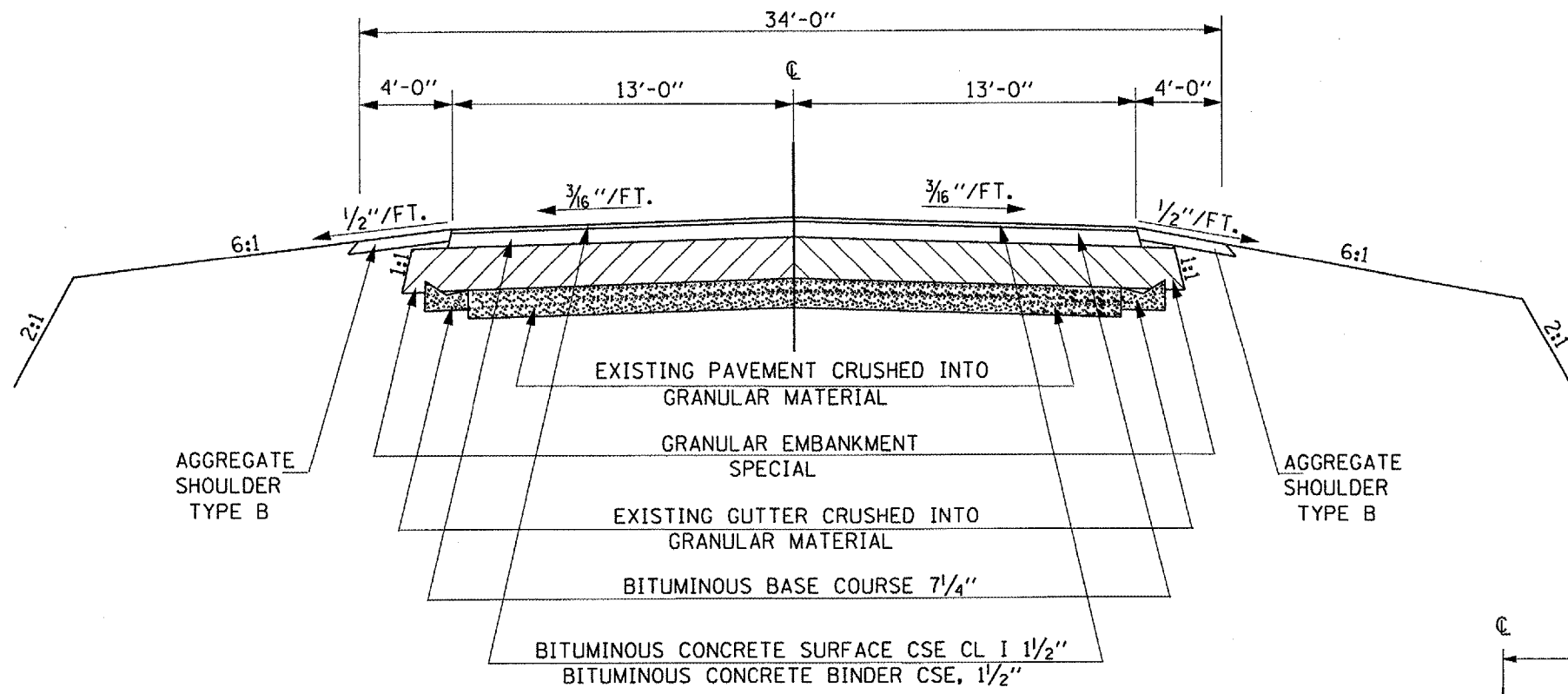
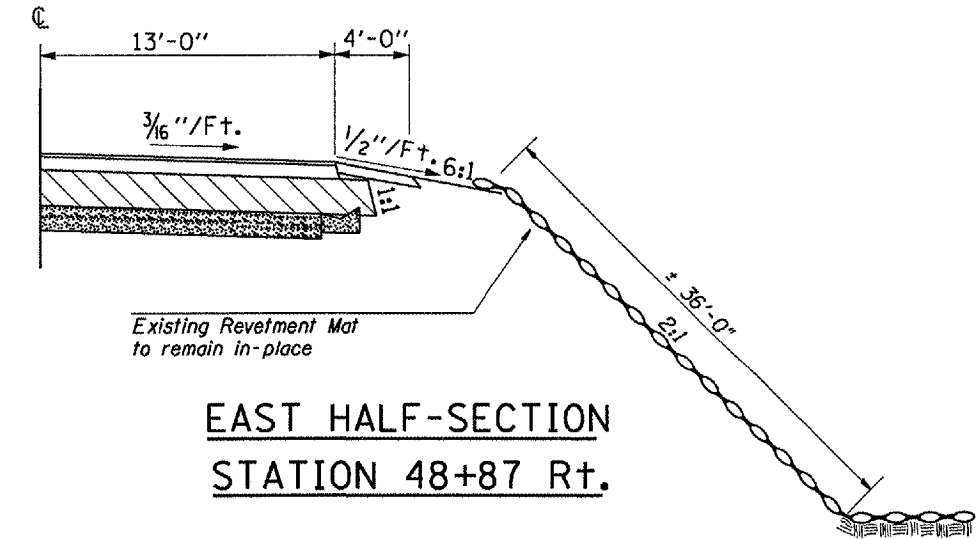


F.A.S. RTE.	SECTION	COUNTY	TOTAL SHEETS	SHEET NO.
1380		PEORIA	16	4
STA. 46+00		TO STA. 49+00		
FED. ROAD DIST. NO. 4 ILLINOIS FED. AID PROJECT				

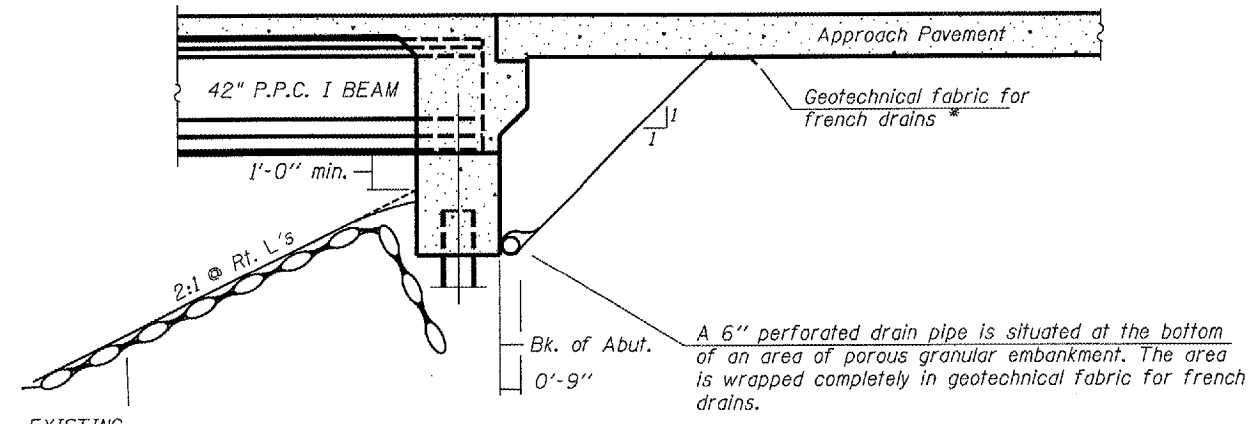
D4 SCOUR MITIGATION 2008



**BRIDGE APPROACH CROSS SECTION**



**EAST HALF-SECTION STATION 48+87 Rt.**



**ABUTMENT CROSS SECTION**

EXISTING FABRIC FORMED CONCRETE REVETMENT MAT (TYP.)

Structure (SN 072-0155) carrying IL 91 over Kickapoo Creek 1.5 mi.S.of Dunlap

REVISIONS	
NAME	DATE

ILLINOIS DEPARTMENT OF TRANSPORTATION

**TYPICAL SECTIONS**

SCALE: VERT. HORIZ. DATE

DRAWN BY MAJH CHECKED BY

DATE  
FILE NAME  
PLOT SCALE  
REFERENCE