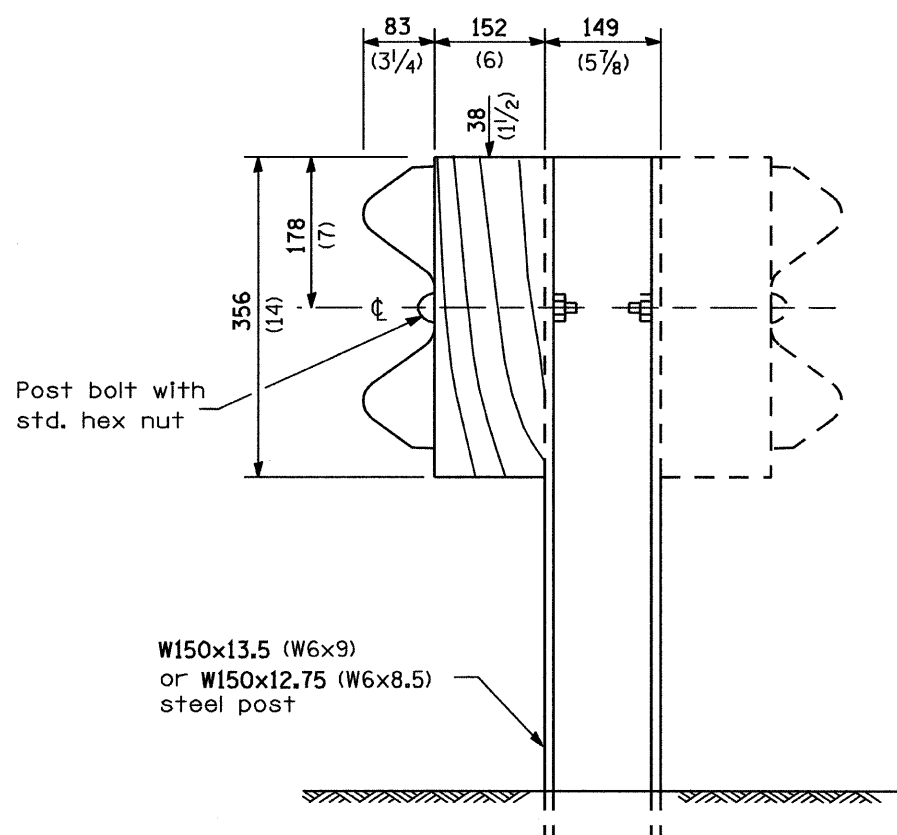
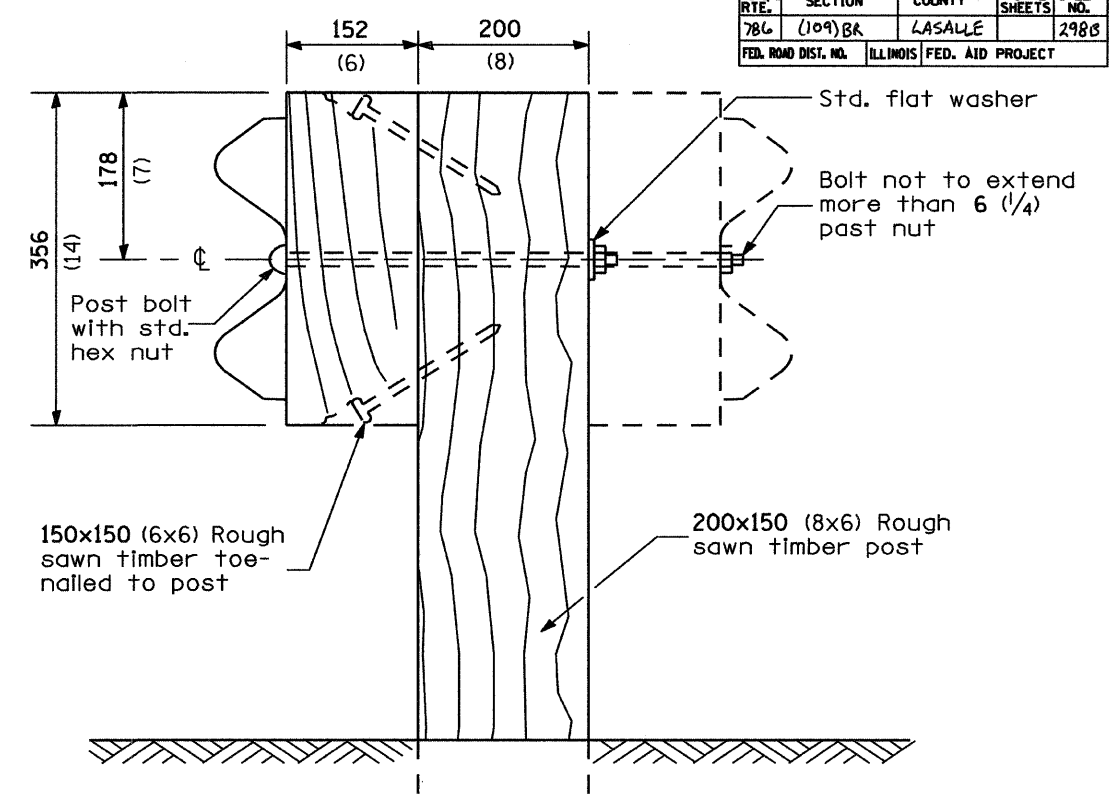


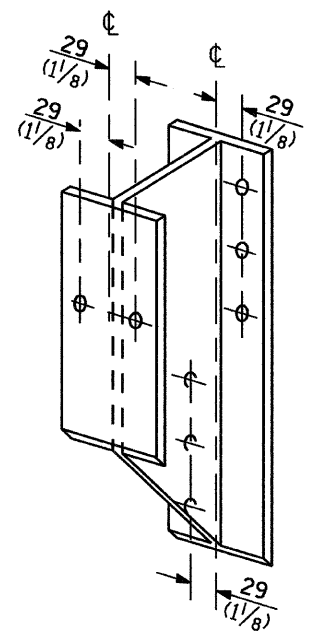
CONTRACT NO. 66607			
F.A.P. RTE.	SECTION	COUNTY	TOTAL SHEET NO.
786	(109)BA	LASALLE	298B
FED. ROAD DIST. NO.	ILLINOIS FED. AID PROJECT		



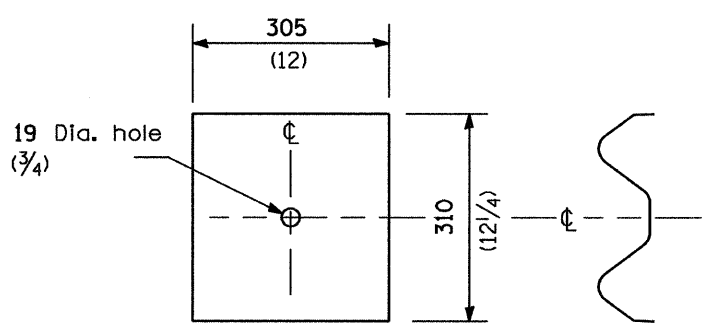
**STEEL POST CONSTRUCTION**



**WOOD POST CONSTRUCTION**



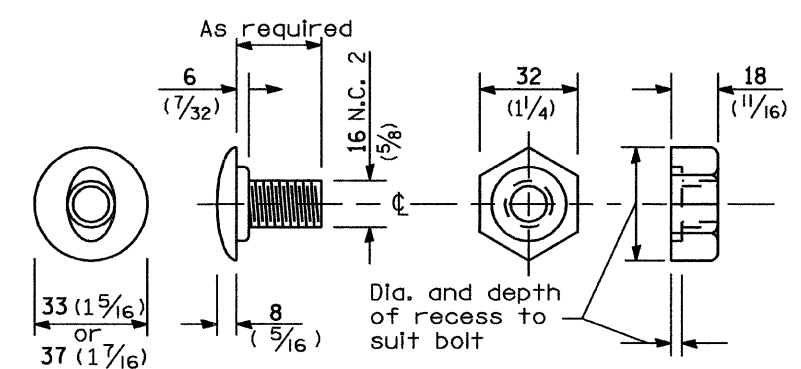
**STEEL BLOCK-OUT DETAIL**



**NOTE**

Plate A shall be placed between rail element and block-out at non-splice mounting points only when steel block-outs are used.

**PLATE A**



**POST OR SPLICE BOLT & NUT**

**REMOVE AND REERECT  
STEEL PLATE BEAM GUARDRAIL**  
(Sheet 2 of 4)  
**DETAIL**