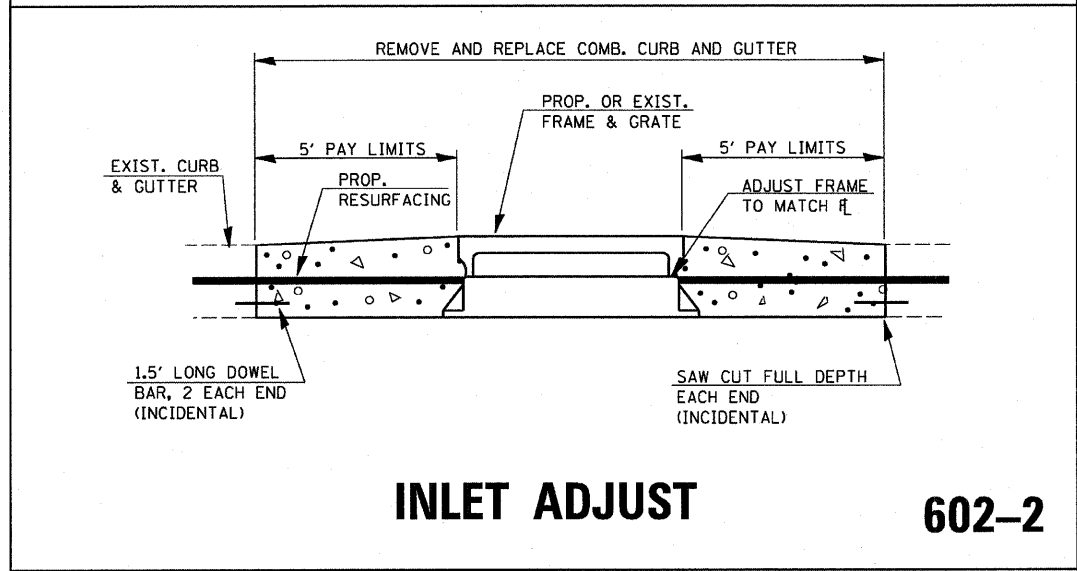
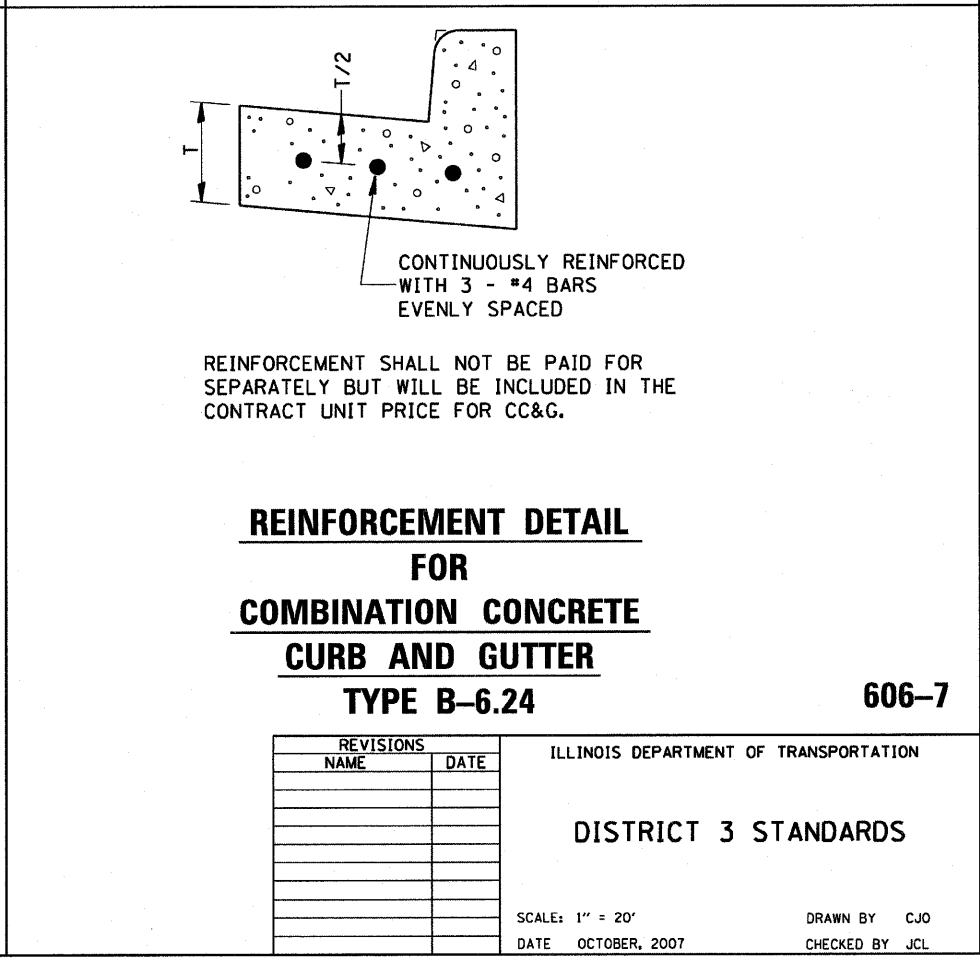
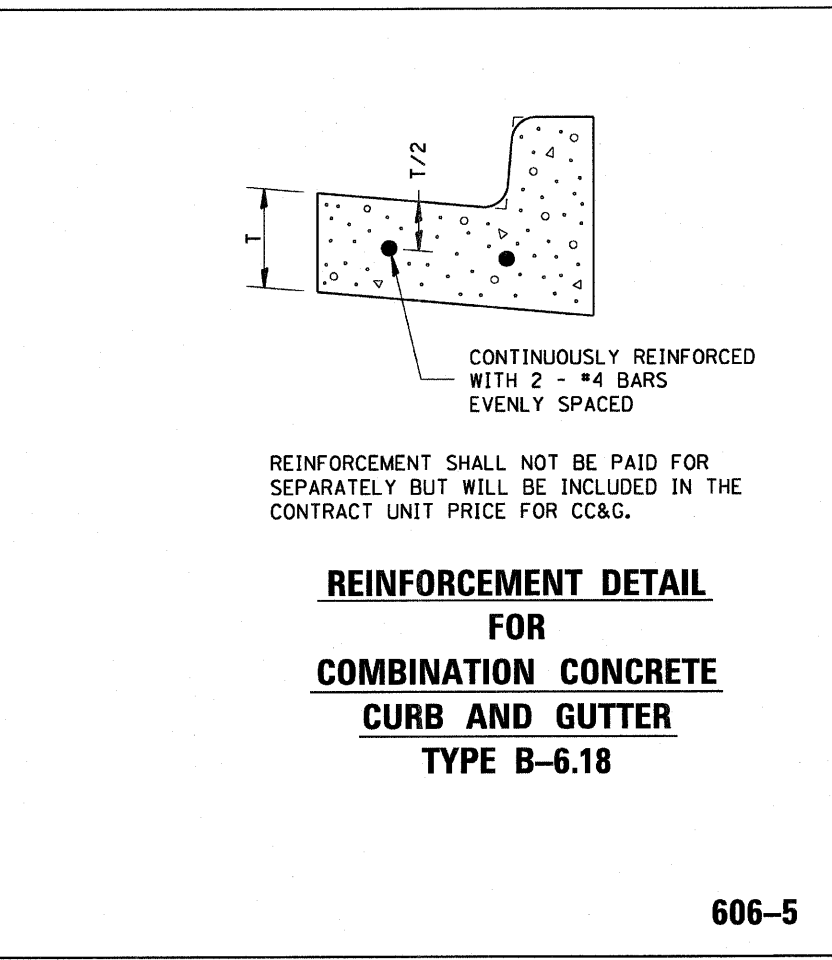
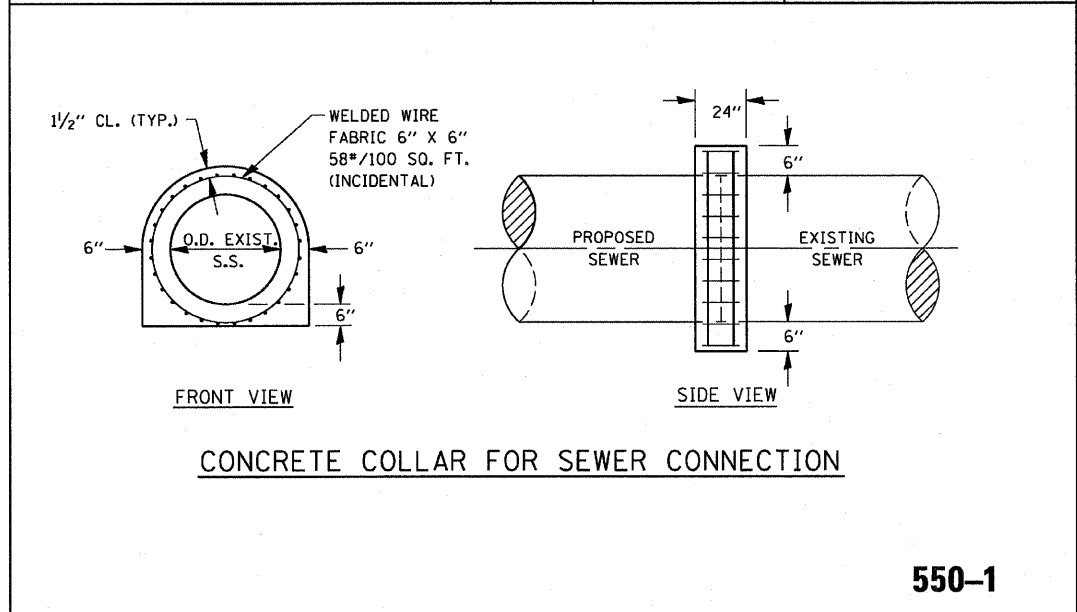
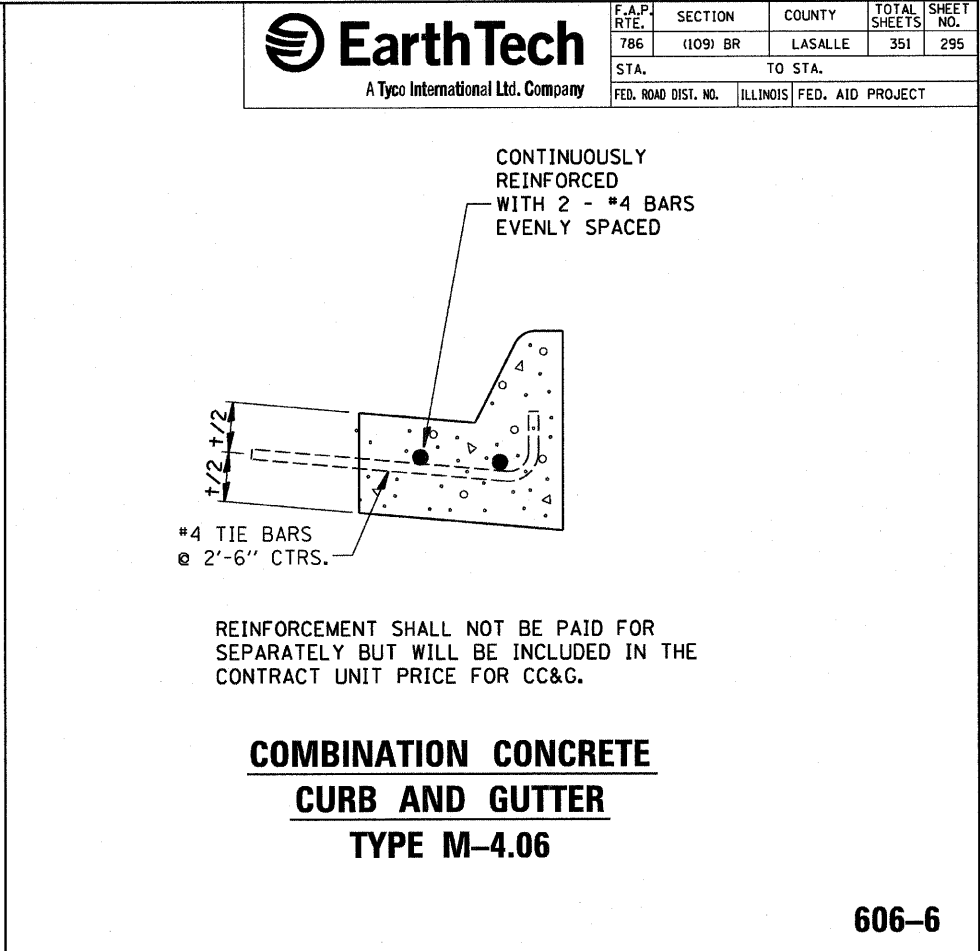
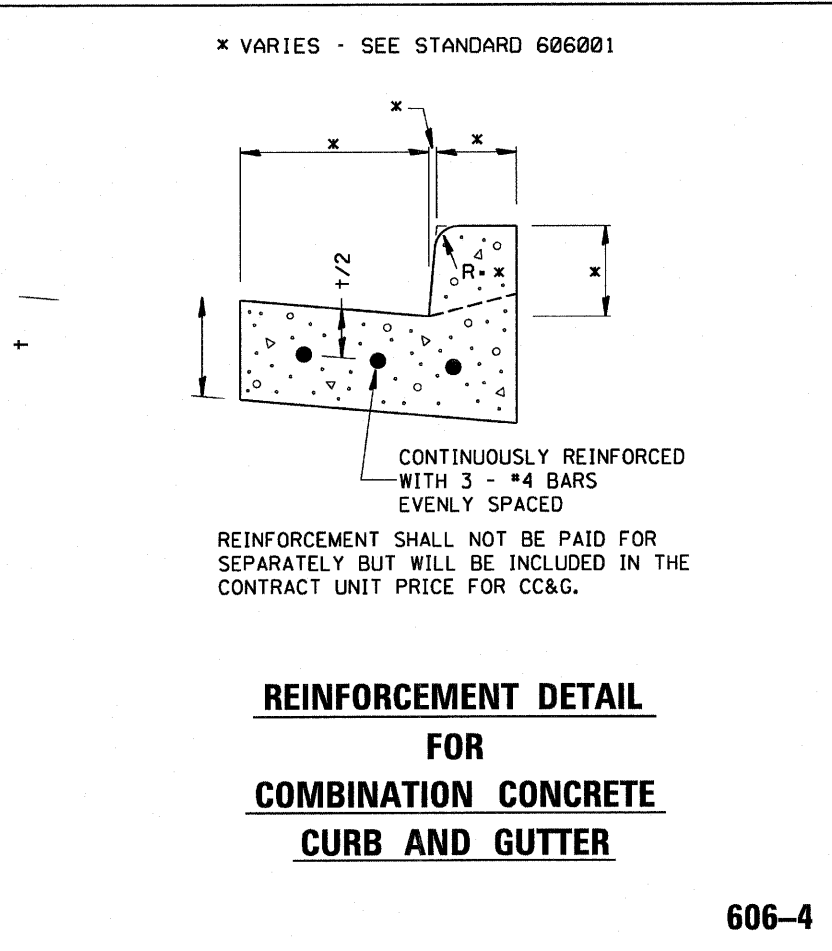
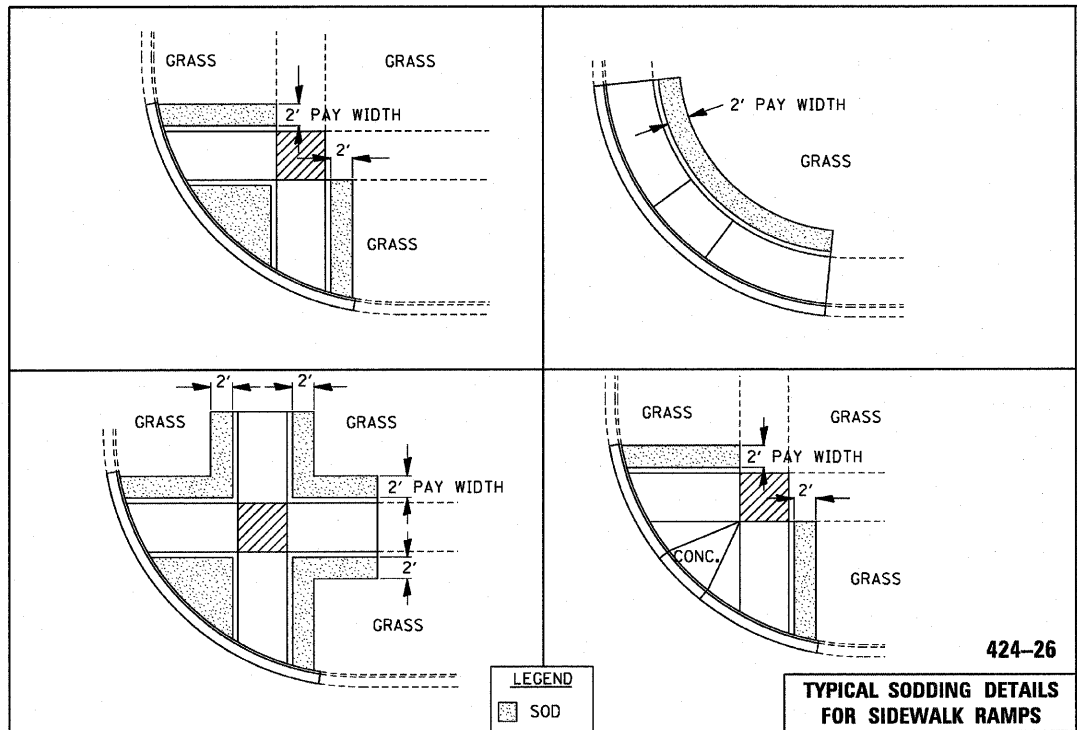


F.A.P. RTE.	SECTION	COUNTY	TOTAL SHEETS	SHEET NO.
786	(109) BR	LASALLE	351	295
STA.		TO STA.		
FED. ROAD DIST. NO.		ILLINOIS FED. AID PROJECT		



PLOT DATE = 10/14/2007
FILE NAME = #FILES#
PLOT SCALE = #SCALE#
USER NAME = Project

REVISIONS	
NAME	DATE

ILLINOIS DEPARTMENT OF TRANSPORTATION

DISTRICT 3 STANDARDS

SCALE: 1" = 20"
DATE: OCTOBER, 2007

DRAWN BY: CJO
CHECKED BY: JCL