

Notes:
 Space reinforcement in cap to miss anchor bolts.
 Four steps monolithically with cap.
 For details of piles, see sheet 81 of 89.

STATE OF ILLINOIS
 DEPARTMENT OF TRANSPORTATION

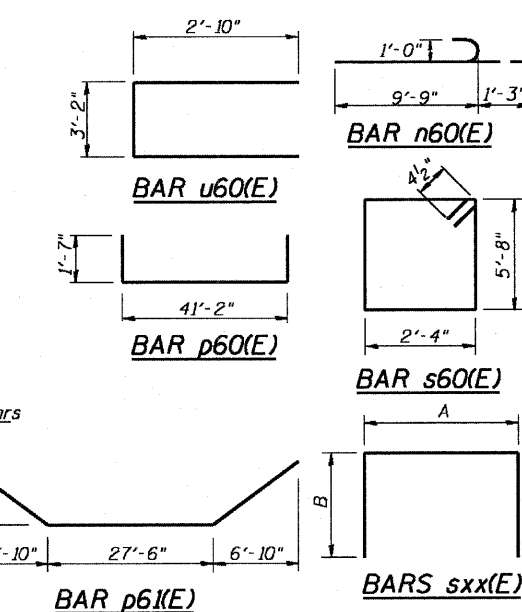
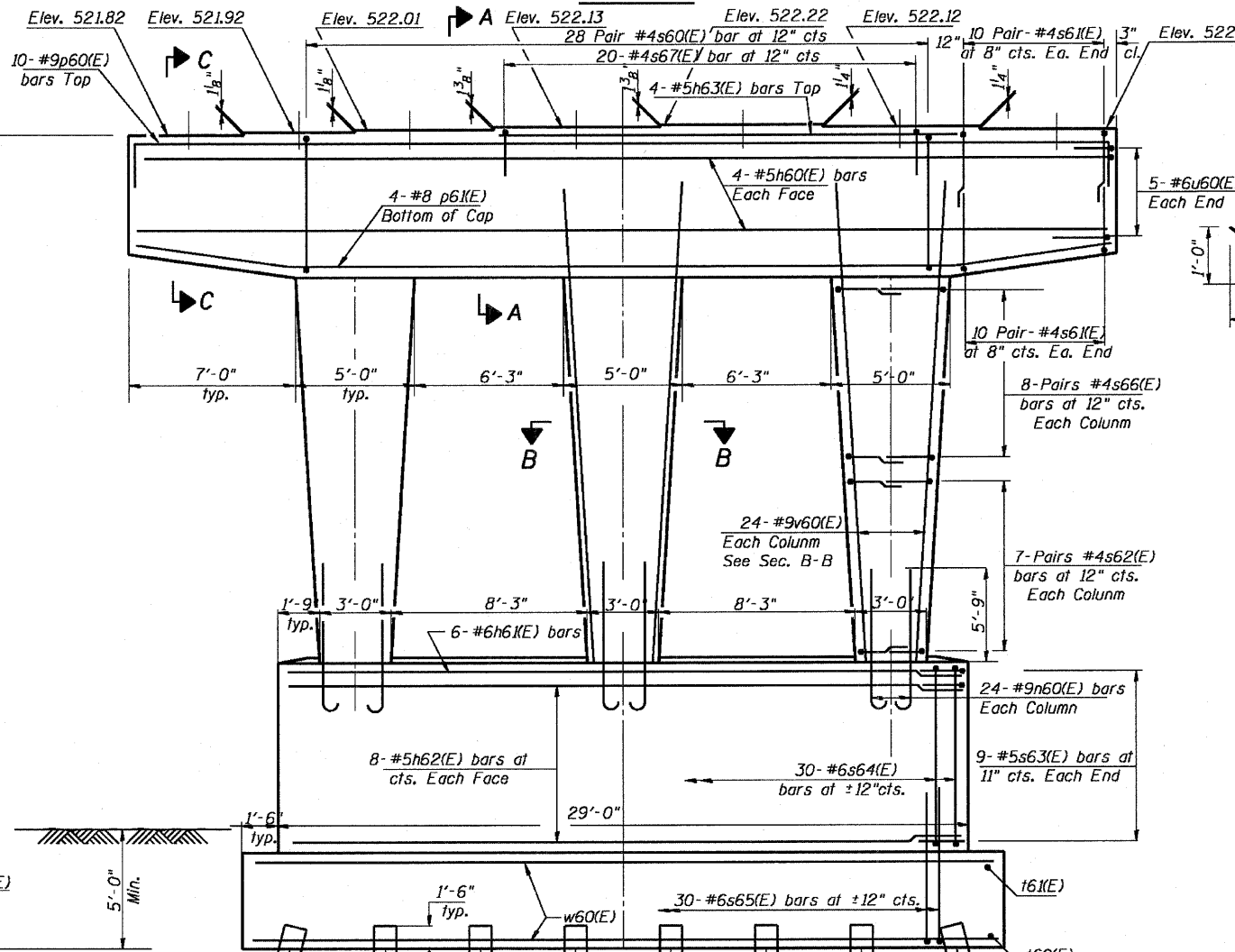
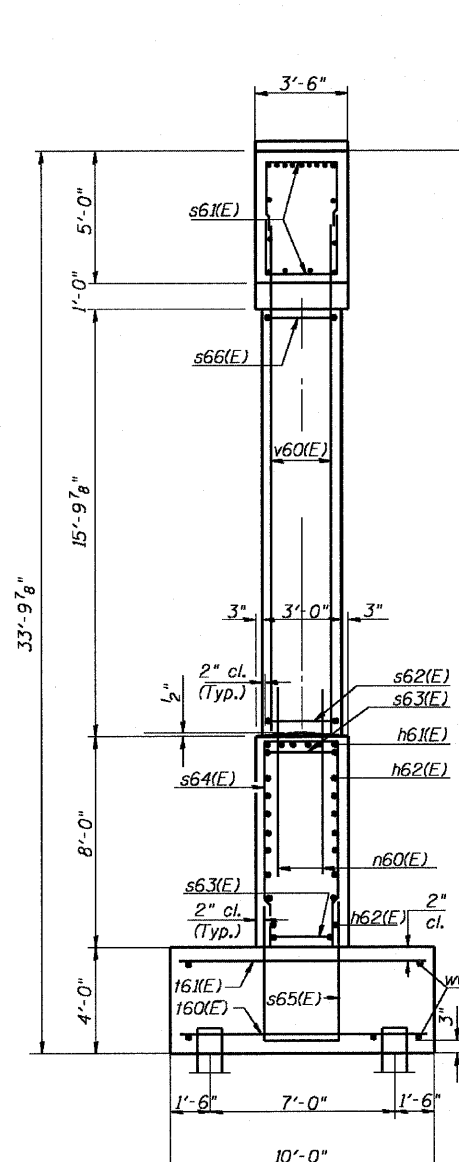
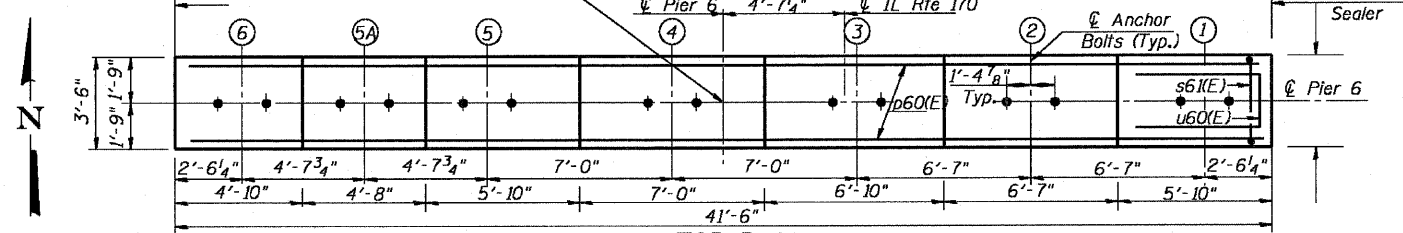


F.A.P. ROUTE NO.	SECTION	COUNTY	MILES	POST	SHEET NO. 76
786	109 BR	La Salle	351	276	89 SHEETS
FED. ROAD DIST. NO. 7	ILLINOIS	FED. AID PROJECT-			

Contract # 66607

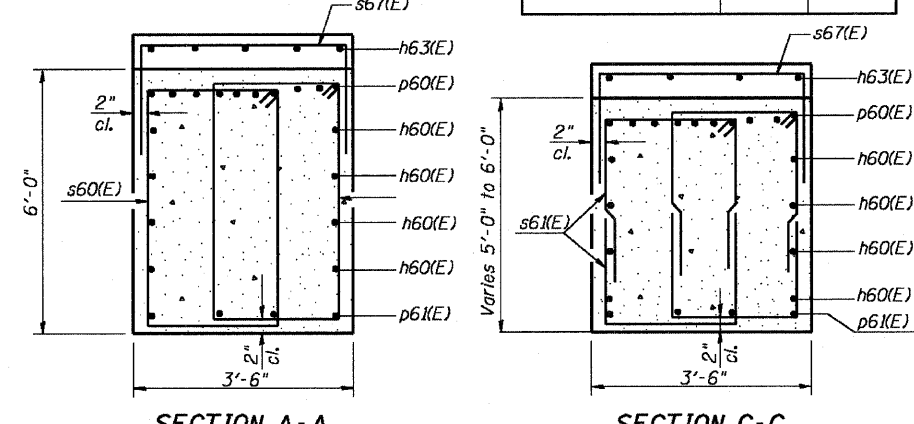
BILL OF MATERIAL

Bar	No.	Size	Length	Shape
h60(E)	8	#5	41'-2"	
h61(E)	6	#6	28'-8"	
h62(E)	16	#5	28'-8"	
h63(E)	4	#5	20'-0"	
n60(E)	72	#9	11'-0"	
p60(E)	10	#9	44'-4"	
p61(E)	4	#8	41'-4"	
s60(E)	56	#4	16'-9"	
s61(E)	80	#4	9'-8"	
s62(E)	42	#4	8'-0"	
s63(E)	18	#5	7'-6"	
s64(E)	30	#6	18'-6"	
s65(E)	30	#6	15'-10"	
s66(E)	48	#4	10'-0"	
s67(E)	20	#4	8'-2"	
160(E)	40	#8	9'-8"	
161(E)	20	#5	9'-8"	
u60(E)	10	#6	8'-10"	
v60(E)	72	#9	19'-0"	
w60(E)	18	#7	31'-8"	
Structure Excavation		Cu. Yd.	103	
Concrete Structures		Cu. Yd.	131	
Reinforcement Bars, Epoxy Coated		Pound	16,480	
Furnishing Steel Piles HP 12x14		Foot	450	
Driving Piles		Foot	450	
Test Pile		Each	1	
Pile Shoes		Each	16	



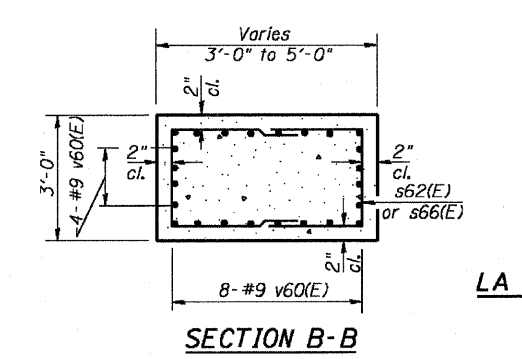
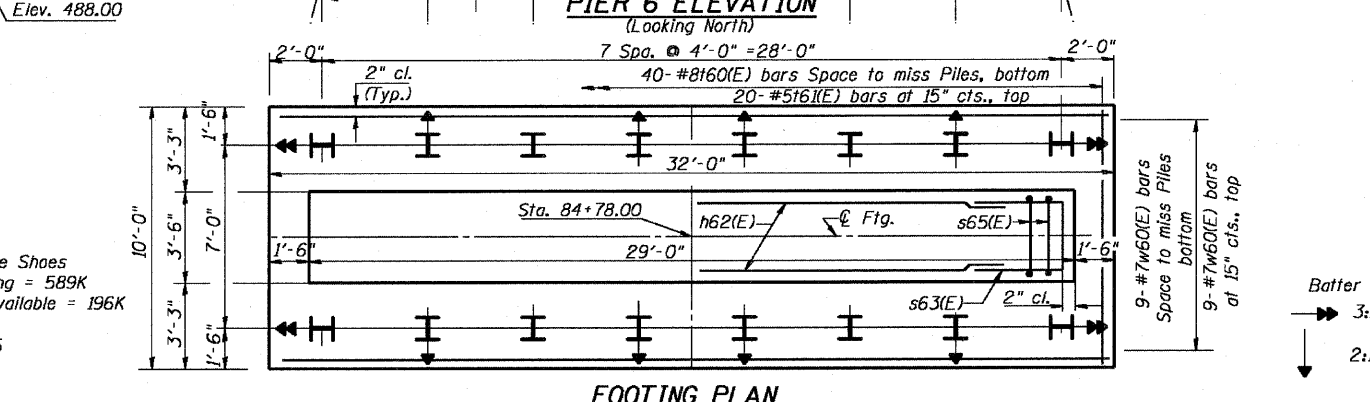
A & B DIMENSIONS

Bar	A	B
s61(E)	2'-4"	3'-8"
s62(E)	2'-8"	2'-8"
s63(E)	3'-2"	2'-2"
s64(E)	3'-2"	7'-8"
s65(E)	3'-2"	6'-4"
s66(E)	2'-8"	3'-8"
s67(E)	3'-2"	2'-6"



PILE DATA

DESIGNED - RJC	Type: HP12x14 with Pile Shoes
CHECKED - DEV	Nominal Required Bearing = 589K
DRAWN - JHR	Allowable Resistance Available = 196K
CHECKED - DEV	Est. Length: 30'
	No. Production Piles: 15
	No. Test Piles: 1



PIER 6
 IL. 170 F.A.P. 786 OVER
 ILLINOIS RIVER AT SENECA
 PUBLIC WATERS
 LA SALLE COUNTY, SECTION 109 BR
 STATION 79+04.42
 STRUCTURE NO. 050-0246

Batter
 3:12
 2:12