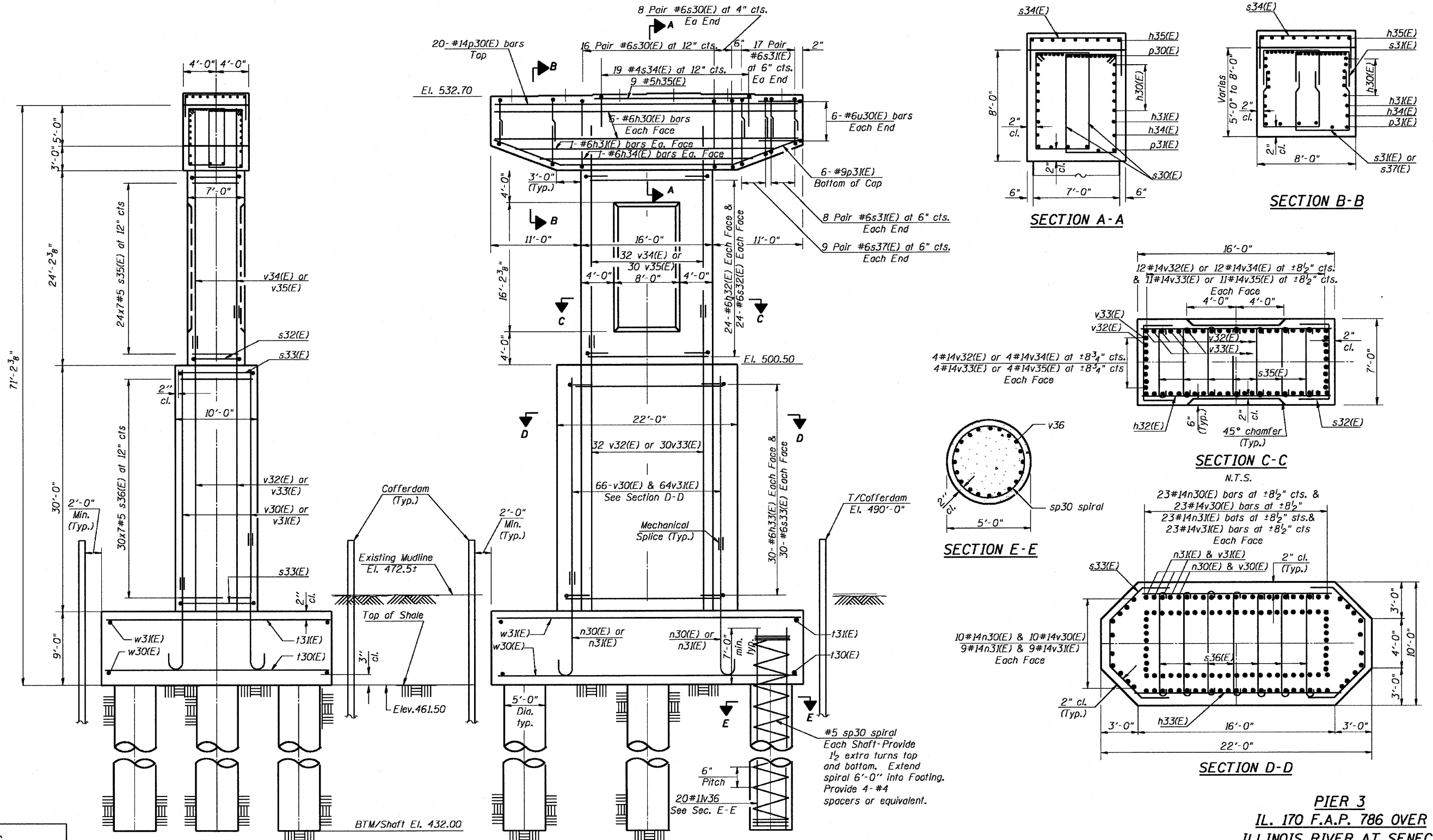


STATE OF ILLINOIS
DEPARTMENT OF TRANSPORTATION



F.A.P. ROUTE NO.	SECTION	COUNTY	SHEET	SHEET NO.
786	109 BR	La Salle	351	270
FED. ROAD DIST. NO. 7	ILLINOIS	FED. AID PROJECT		89 SHEETS

Contract # 66607



DESIGNED - RJC
CHECKED - DEV
DRAWN - JHR
CHECKED - DEV