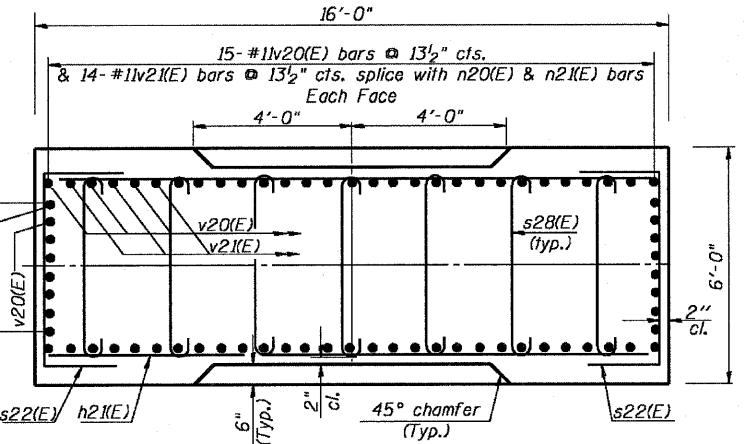
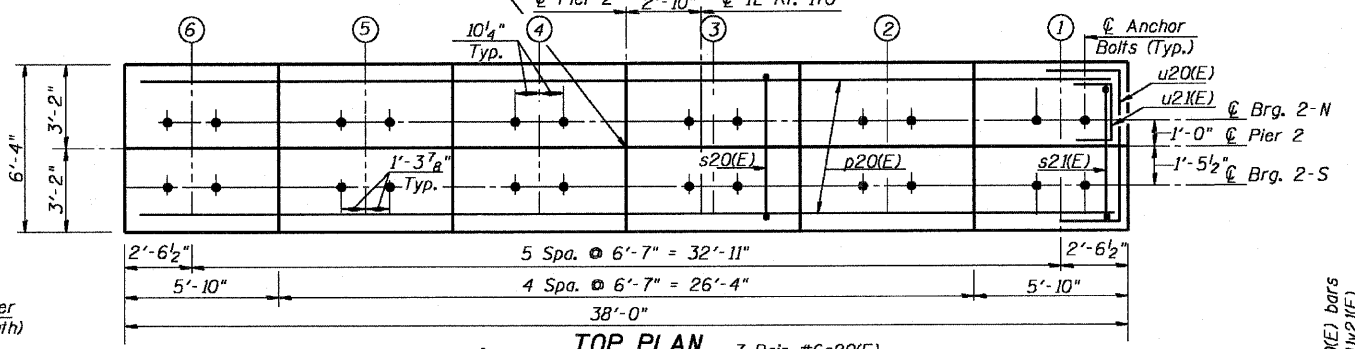
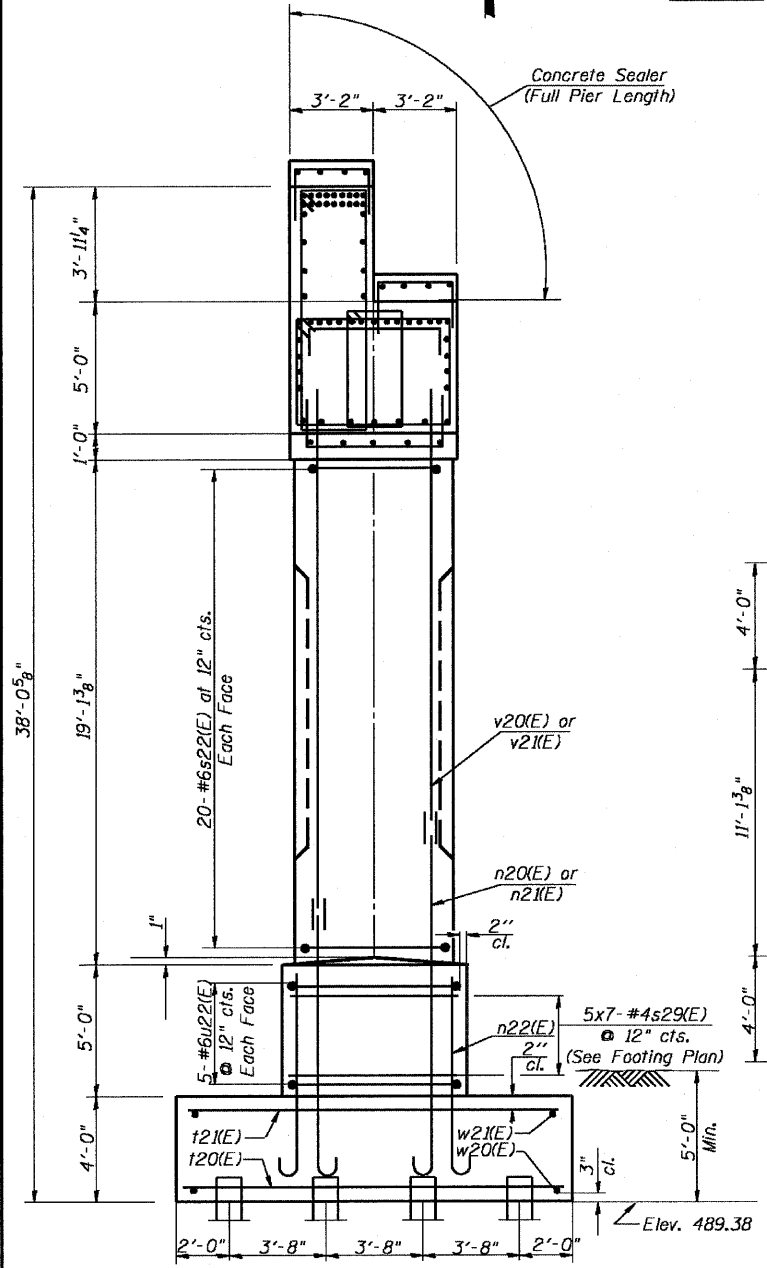


- Notes:
1. Space reinforcement in cap to miss anchor bolts.
  2. Pour steps monolithically with cap.
  3. For details of piles, see sheet 81 of 89.
  4. Bridge seats between the bearings shall be sloped to drain.

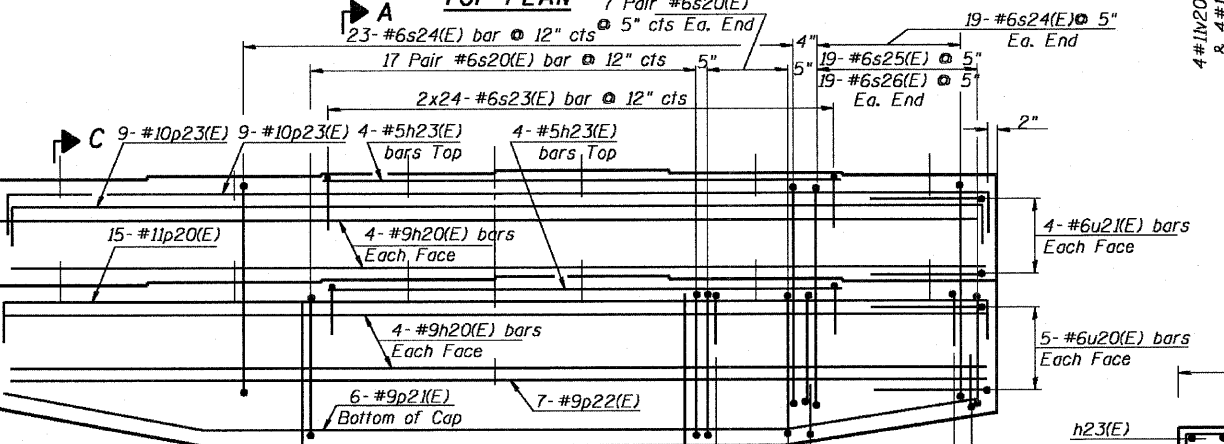
STATE OF ILLINOIS  
DEPARTMENT OF TRANSPORTATION  
Pier 2, 2'-10" CL IL Rt. 170



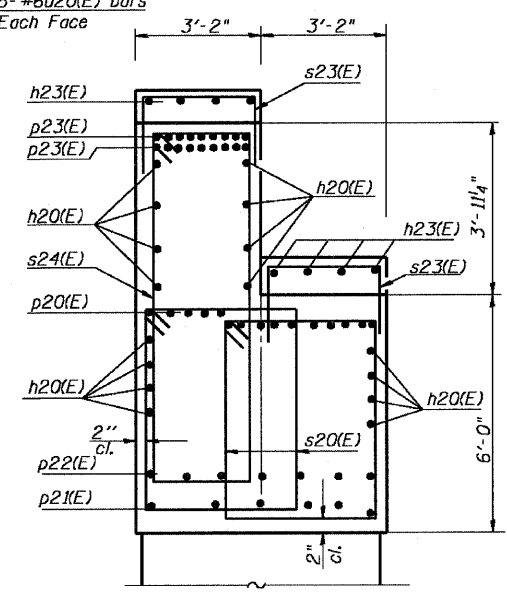
SECTION B-B



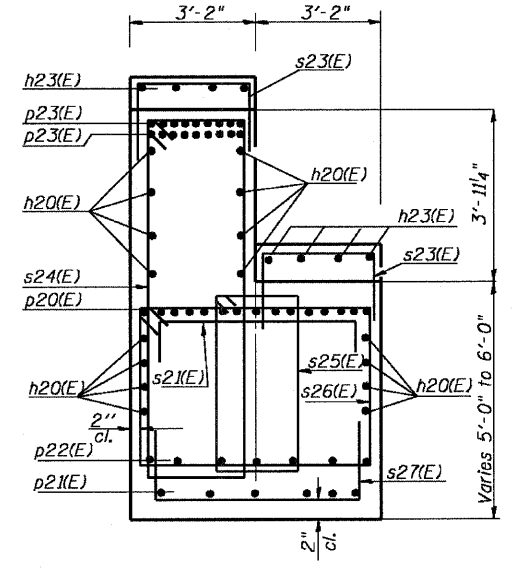
END VIEW



PIER 2 ELEVATION  
(Looking North)



SECTION A-A



SECTION C-C

|          |       |
|----------|-------|
| DESIGNED | - RJC |
| CHECKED  | - DEV |
| DRAWN    | - JHR |
| CHECKED  | - DEV |

PIER 2  
IL. 170 F.A.P. 786 OVER  
ILLINOIS RIVER AT SENECA  
PUBLIC WATERS  
LA SALLE COUNTY, SECTION 109 BR  
STATION 79+04.42  
STRUCTURE NO. 050-0246