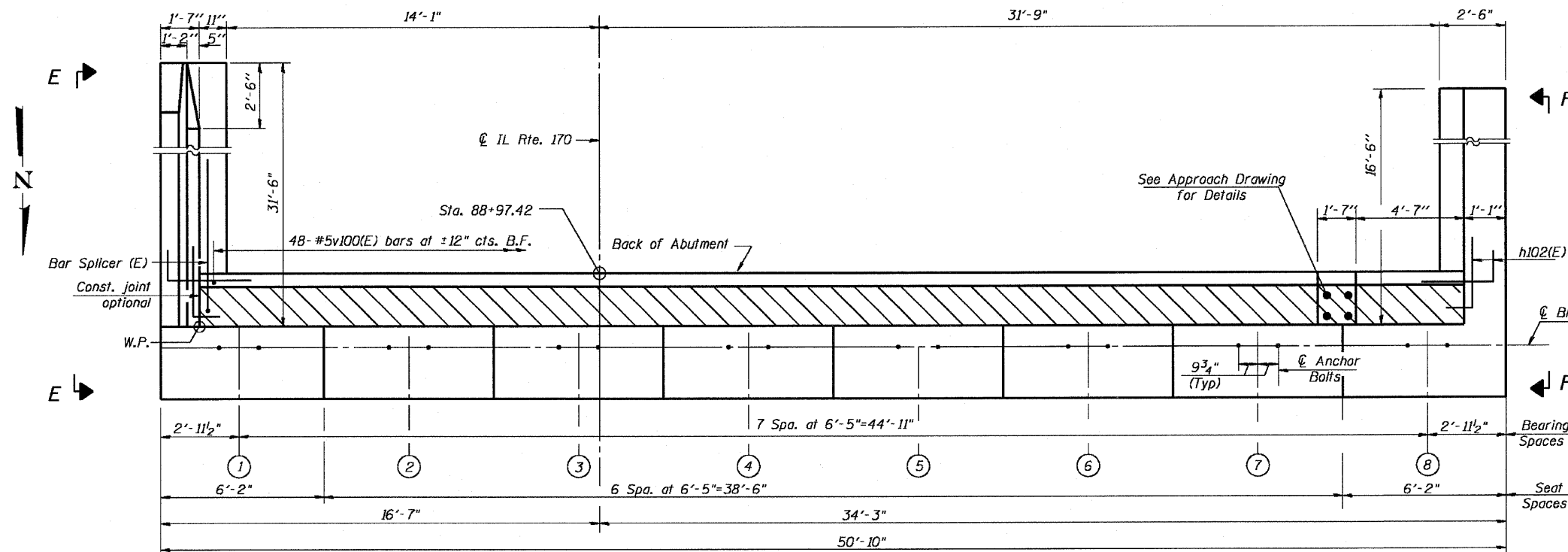
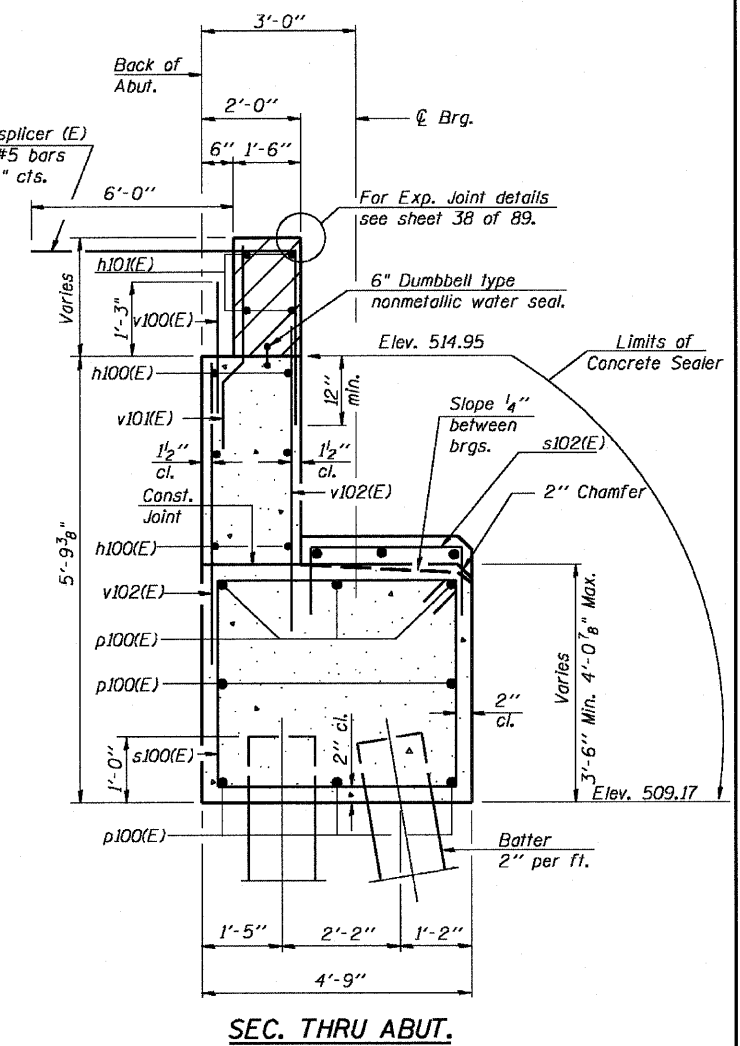
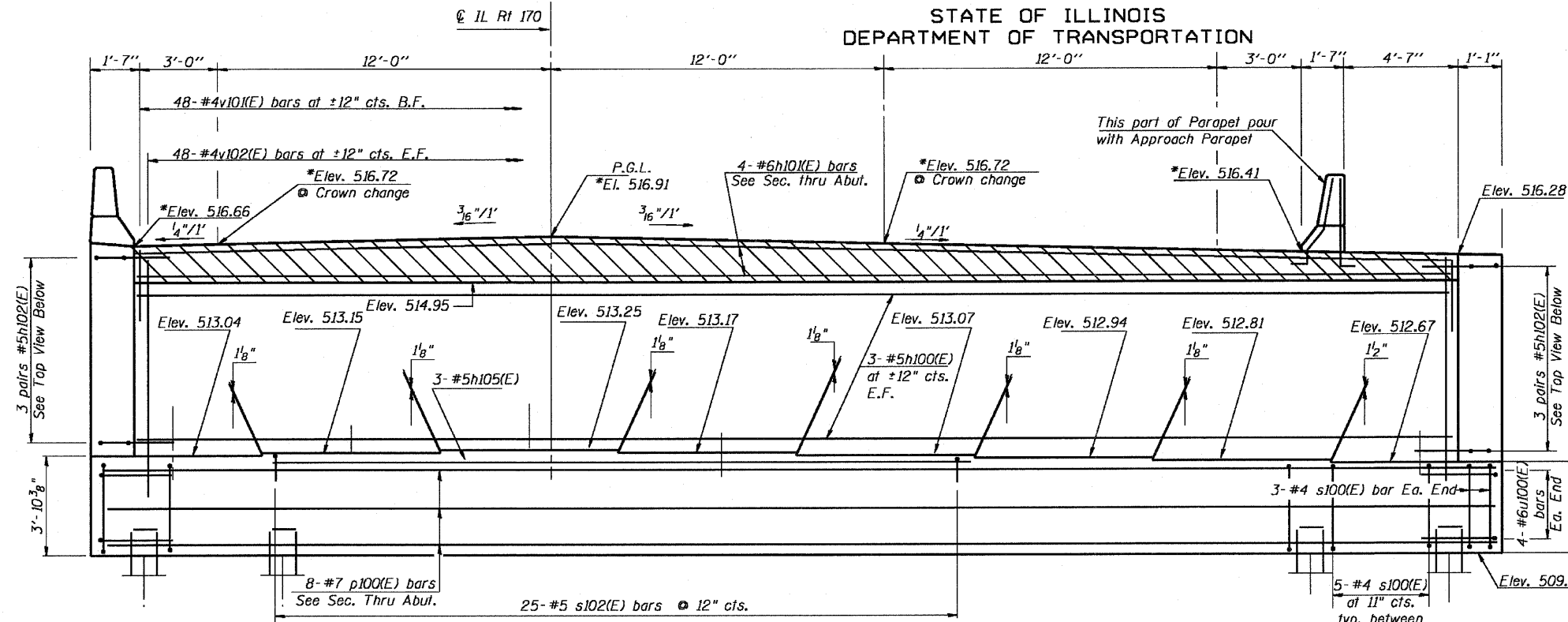


STATE OF ILLINOIS  
DEPARTMENT OF TRANSPORTATION

EarthTech A tyco International Ltd. Company	F.A.P. ROUTE NO.	SECTION	COUNTY	TOTAL SHEETS	SHEET NO.
	786	109 BR	La Salle	351	264
	FED. ROAD DIST. NO. 7	ILLINOIS	FED. AID PROJECT-		

Contract # 66607



DESIGNED - RJC
CHECKED - CLS
DRAWN - JHR
CHECKED - RJC

**Notes:**  
Hatched area to be poured after superstructure forms have been removed. Quantity of concrete included with Concrete Superstructure. Space reinforcement in cap to miss anchor bolts. Pour steps monolithically with cap. Quantity of concrete in parapets included with Concrete Superstructure. Encase Concrete Piles Per Sheet B1.  
\* Elevations are at F.F. of Abutment Backwall.  
B.F. = Back Face  
E.F. = Each Face  
F.F. = Front Face  
Work this sheet with Sheets 65 and 66.

**SOUTH ABUTMENT  
IL. 170 F.A.P. 786 OVER  
ILLINOIS RIVER AT SENECA  
PUBLIC WATERS  
LA SALLE COUNTY, SECTION 109 BR  
STATION 79+04.42  
STRUCTURE NO. 050-0246**