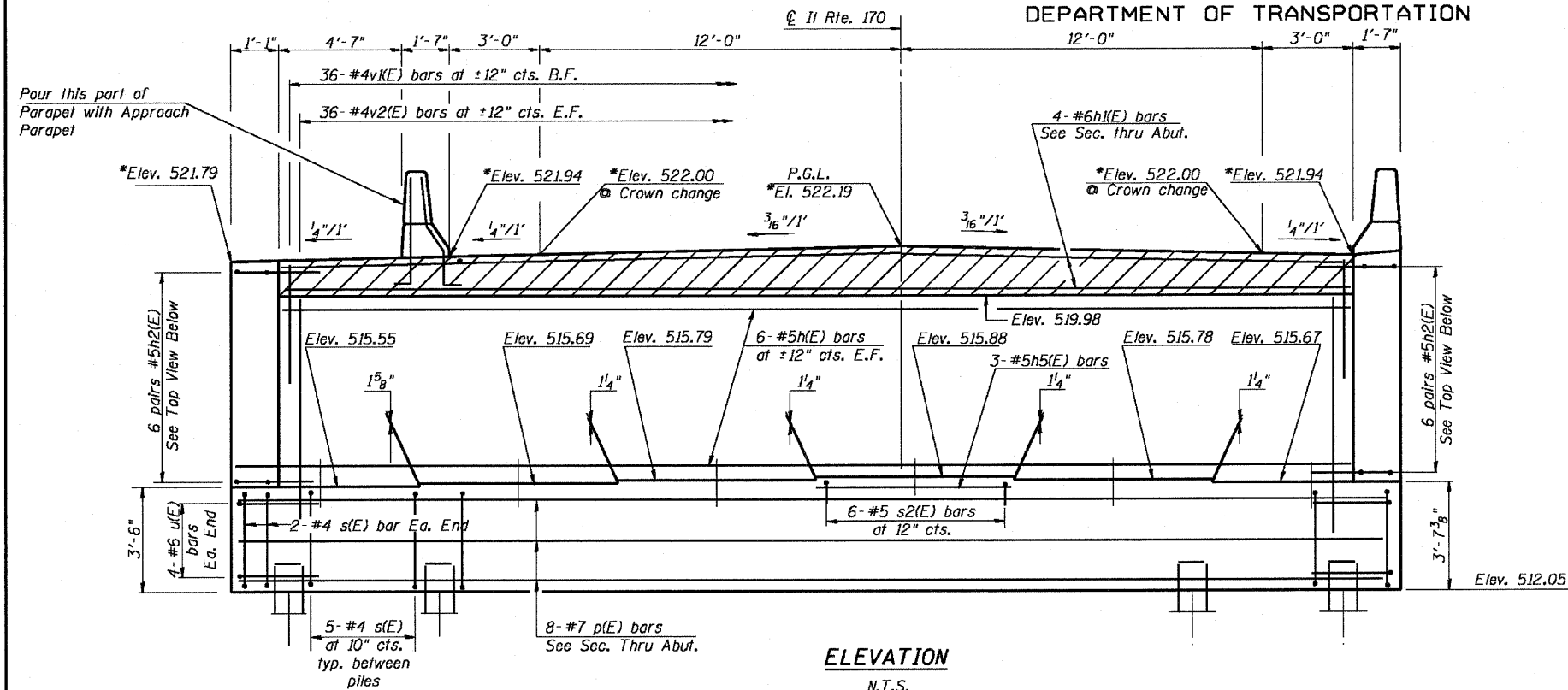


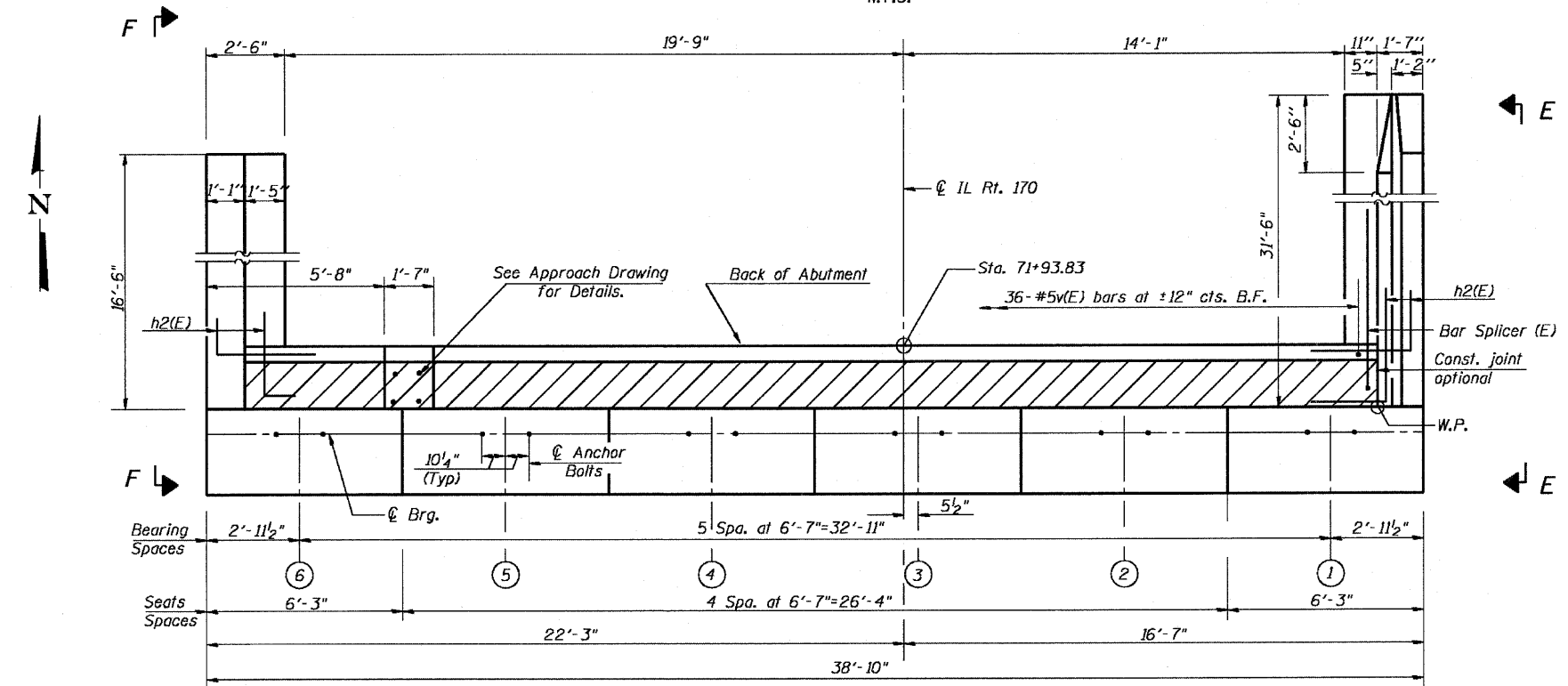
STATE OF ILLINOIS
DEPARTMENT OF TRANSPORTATION

EarthTech A tyco International Ltd. Company	F.A.P. ROUTE NO.	SECTION	COUNTY	LISTED SHEETS	SHEET NO.
	786	109 BR	La Salle	351	261
FED. ROAD DIST. NO. 7		ILLINOIS	FED. AID PROJECT-		

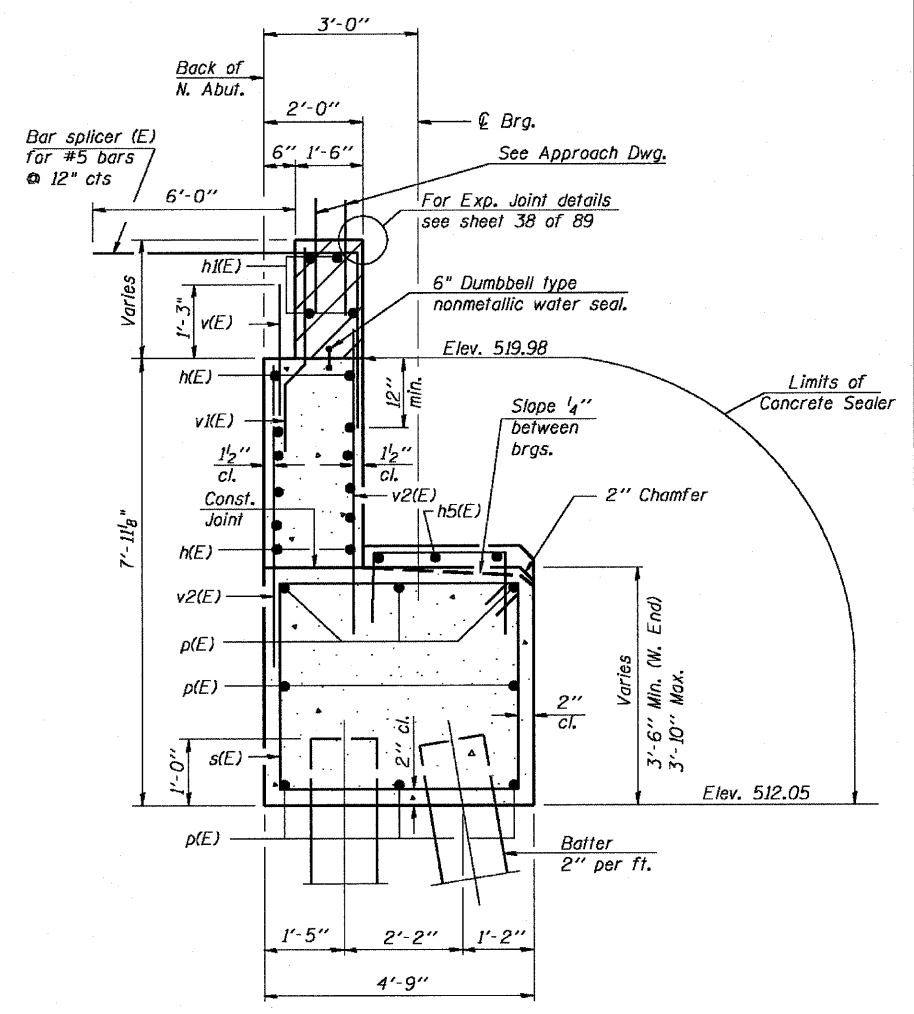
Contract # 66607



ELEVATION
N.T.S.



TOP VIEW
N.T.S.



SEC. THRU ABUT.
N.T.S.

Notes:
Hatched area to be poured after superstructure forms have been removed. Quantity of concrete included with Concrete Superstructure. Space reinforcement in cap to miss anchor bolts. Pour steps monolithically with cap. Quantity of concrete in parapets included with Concrete Superstructure.
Encase Concrete Piles Per Sheet 81.
* Elevations are at F.F. of Abutment Backwall.
B.F. = Back Face
E.F. = Each Face
F.F. = Front Face
Work this sheet with Sheets 62 and 63.

DESIGNED	- RJC
CHECKED	- CLS
DRAWN	- JHR
CHECKED	- RJC

NORTH ABUTMENT
IL. 170 F.A.P. 786 OVER
ILLINOIS RIVER AT SENECA
PUBLIC WATERS
LA SALLE COUNTY, SECTION 109 BR
STATION 79+04.42
STRUCTURE NO. 050-0246