

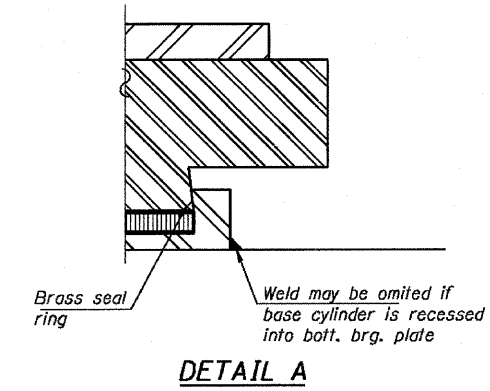
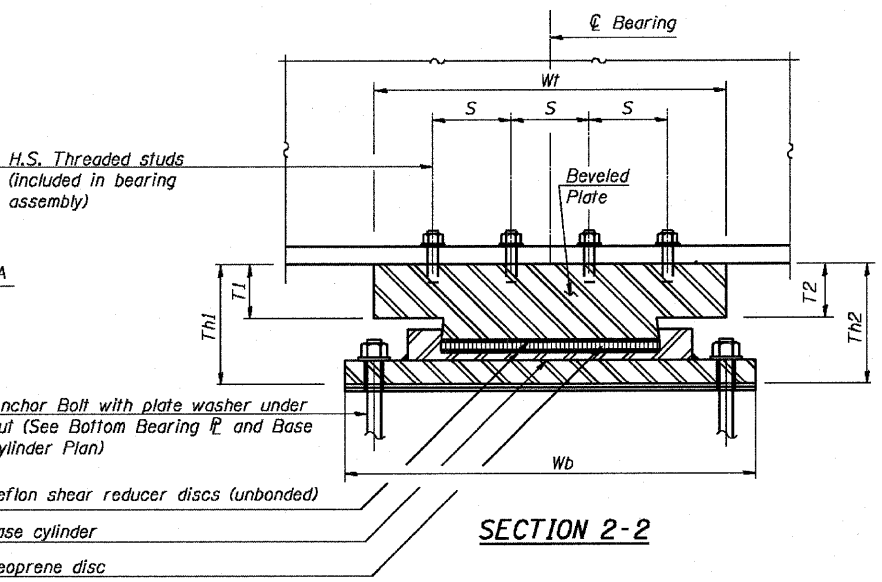
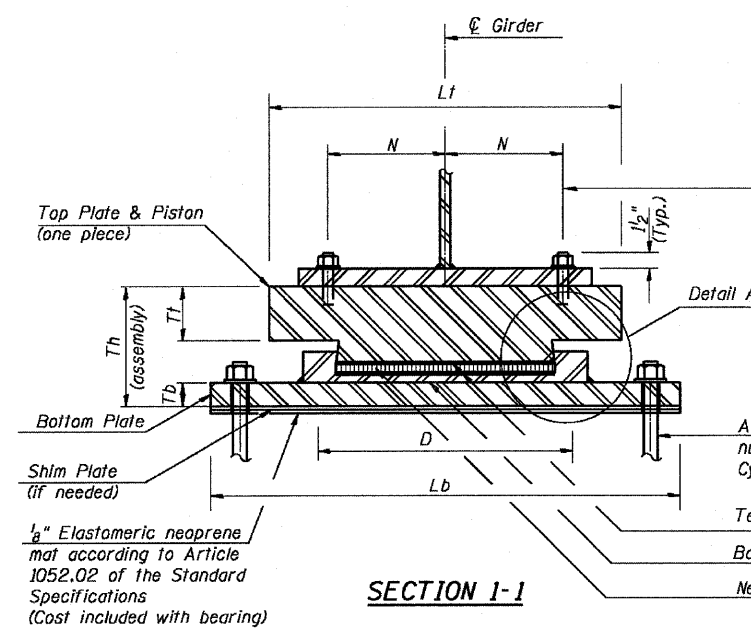
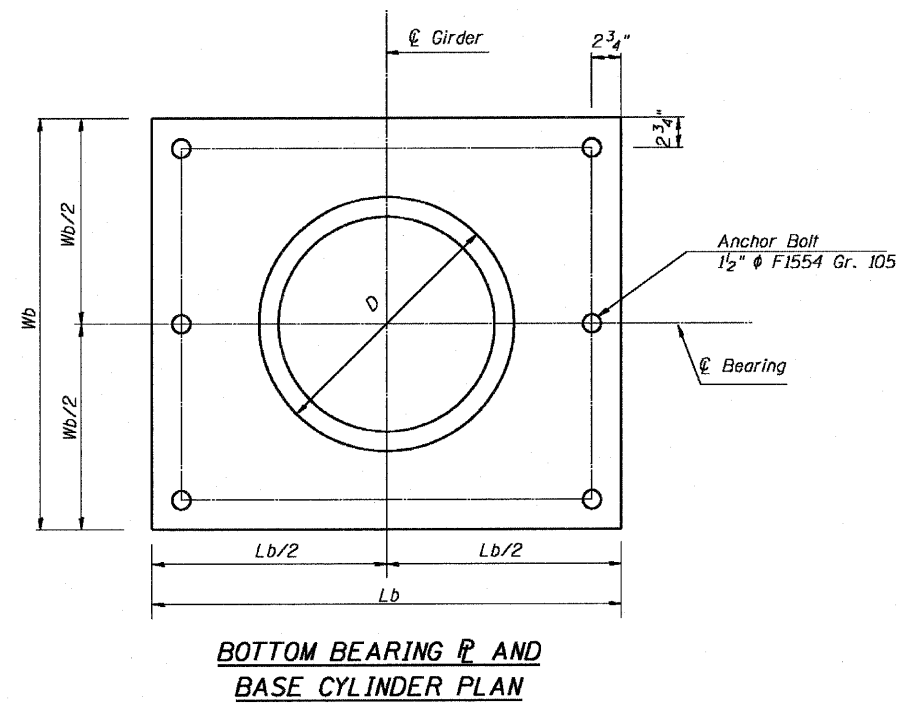
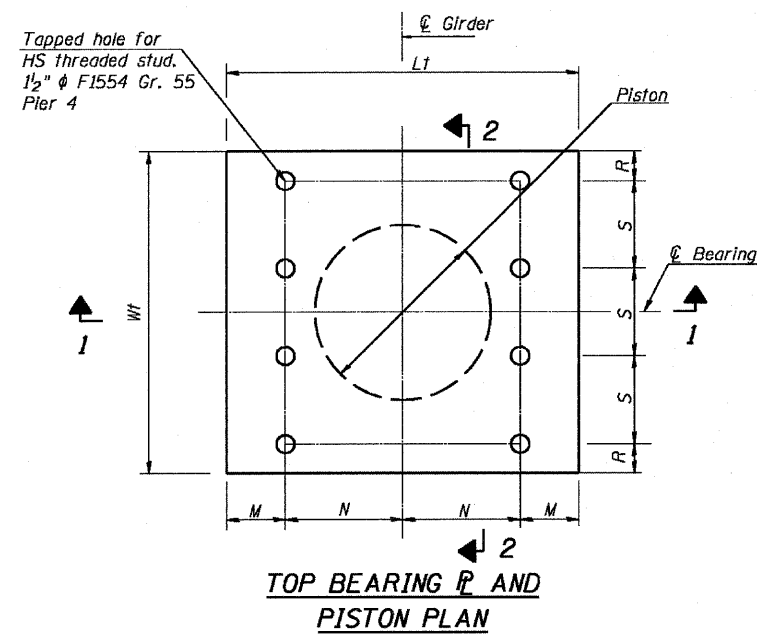
STATE OF ILLINOIS
DEPARTMENT OF TRANSPORTATION



| | | | | |
|-----------------------|----------|------------------|--------------|-----------|
| F.A.P. ROUTE NO. | SECTION | COUNTY | TOTAL SHEETS | SHEET NO. |
| 786 | 109 BR | La Salle | 351 | 260 |
| FED. ROAD DIST. NO. 7 | ILLINOIS | FED. AID PROJECT | | |

SHEET NO. 60
89 SHEETS

Contract # 66607



BILL OF MATERIAL

| Item | Unit | Total |
|---|------|-------|
| High Load Multi-Rotation Bearings, Fixed 800K | Each | 6 |

GUIDE FIXED BEARING DIMENSION

| Brg. Location | Vertical Design Load | Lateral Design Load | Bottom Bearing Plate | | | Top Bearing Plate | | | | | | | | | | |
|---------------|----------------------|---------------------|----------------------|--------|--------|-------------------|---------|--------|--------|-------|-------|-------|-------|---------|---------|-------|
| | | | Tb in. | Lb in. | Wb in. | Top Plate | | Lt in. | Wt in. | M in. | N in. | R in. | S in. | Th1 in. | Th2 in. | D in. |
| | | | | | | Tt1 in. | Tt2 in. | | | | | | | | | |
| Pier 4 | 800 | 310 | 2 | 38 | 30 | 4 | 3 1/2 | 27 | 27 | 4 1/2 | 9 | 3 | 7 | 11 | 10 1/2 | 25 |

| |
|----------------|
| DESIGNED - CLS |
| CHECKED - DEV |
| DRAWN - JHR |
| CHECKED - RJC |

FIXED POT BEARING ASSEMBLIES
IL. 170 F.A.P. 786 OVER
ILLINOIS RIVER AT SENECA
PUBLIC WATERS
LA SALLE COUNTY, SECTION 109 BR
STATION 79+04.42
STRUCTURE NO. 050-0246