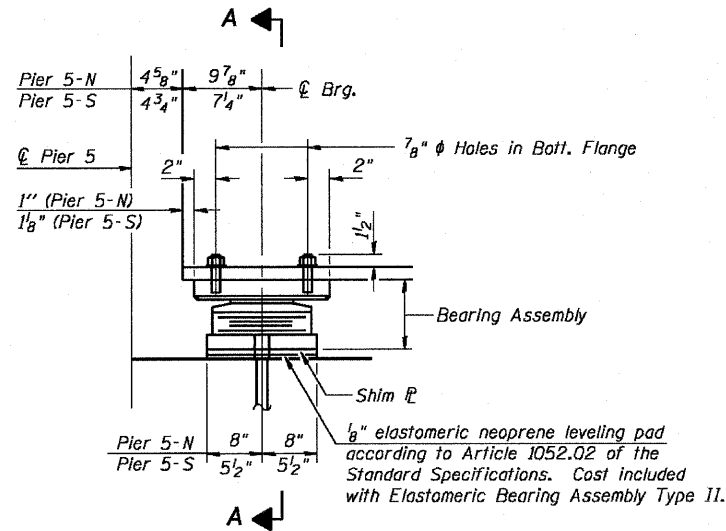
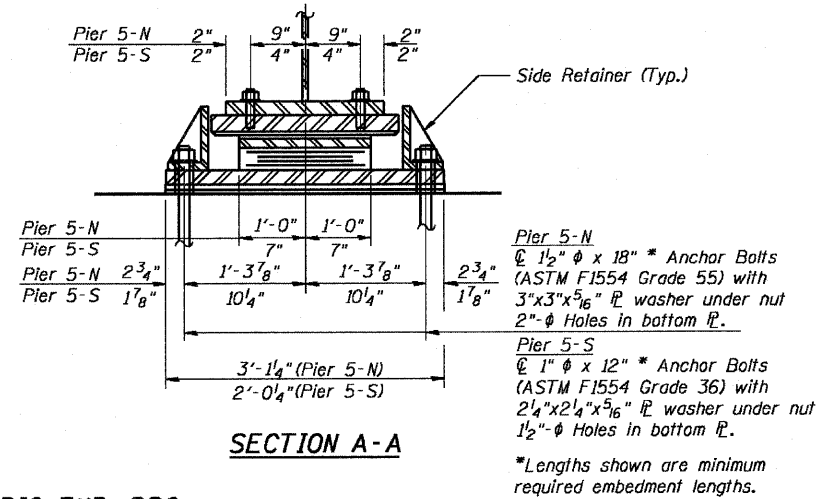


STATE OF ILLINOIS
DEPARTMENT OF TRANSPORTATION

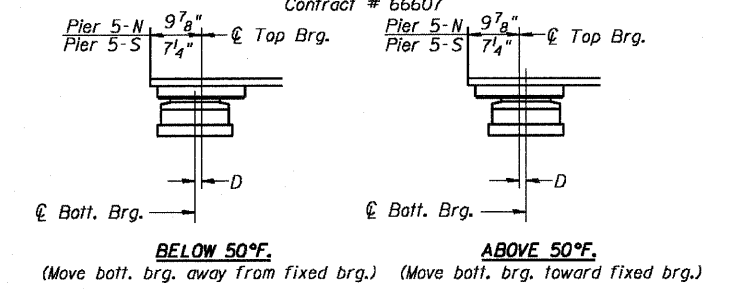
EarthTech A tyco International Ltd. Company	F.A.P. ROUTE NO.	SECTION	COUNTY	SHEETS	SHEET NO. 57 89 SHEETS
	786	109 BR	La Salle	351 257	
FED. ROAD DIST. NO. 7	ILLINOIS	FED. AID PROJECT			



ELEVATION AT PIERS 5-N & 5-S



SECTION A-A



SETTING ANCHOR BOLTS AT EXP. BRG.

D = 1/8" per each 100' of expansion for every 15° temp. change from the normal temp. of 50°F.

Notes:
Anchor bolts shall be ASTM F1554 all-thread (or an Engineer-approved alternate material) of the grade(s) and diameter(s) specified. ASTM A307 Grade C anchor bolts may be used in lieu of ASTM F1554 Grade 36 (Fy=36ksi). The corresponding specified grade of AASHTO M314 anchor bolts may be used in lieu of ASTM F1554.

Anchor bolts at fixed bearings may be either cast in place or installed in holes drilled after the supported member is in place.

Anchor bolts for Type II bearings shall be placed in holes drilled through the bottom bearing plate after members are in place. Side retainers shall be placed after bolts are installed.

Drilled and set anchor bolts shall be installed according to Article 521.06 of the Standard Specifications.

Side retainers and other steel members required for the bearing assembly shall be included in the cost of Elastomeric Bearing Assembly, Type II.

The 1/8" PTFE sheet shall be bonded directly to the top steel plate with a two-component, medium viscosity epoxy resin, conforming to the requirements of the Federal Specification MMM-A-134, Type I. The bond agent shall be applied on the full area of the contact surfaces.

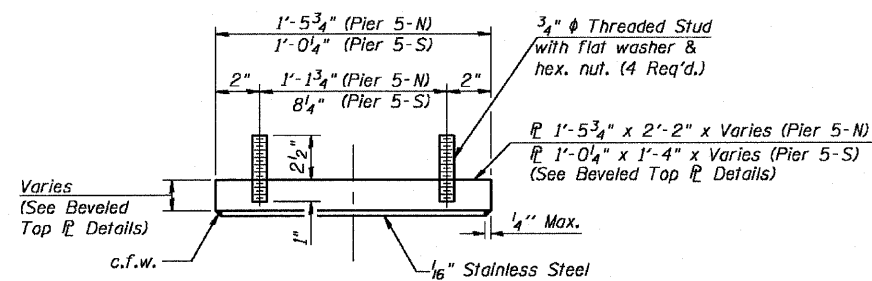
Bonding of 1/8" PTFE sheet during vulcanizing process will be permitted provided the process and method of adjusting assembly height is approved by the Engineer.

The structural steel plates of the Bearing Assembly shall conform to the requirements of AASHTO M 270 Grade 50W. Two 1/2 in. adjusting shims shall be provided for each bearing in addition to all other plates or shims and placed as shown on bearing details.

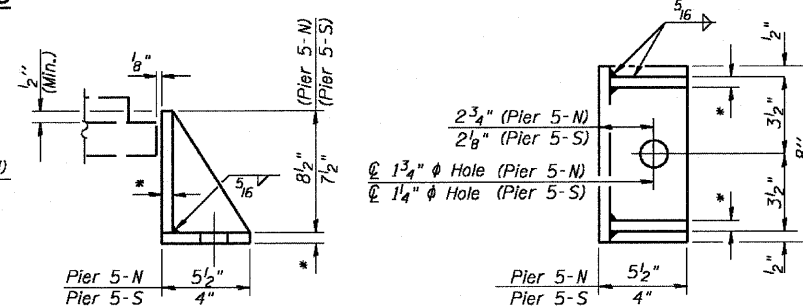
All side retainers, anchor bolts, nuts, washers, and pintles shall be galvanized according to AASHTO M111 or M232 (as applicable).

H.S. bolts in bearing assembly shall be galvanized according to AASHTO M298 Class 50.

TYPE II ELASTOMERIC EXP. BRG.
FOR PIERS 5-N & 5-S



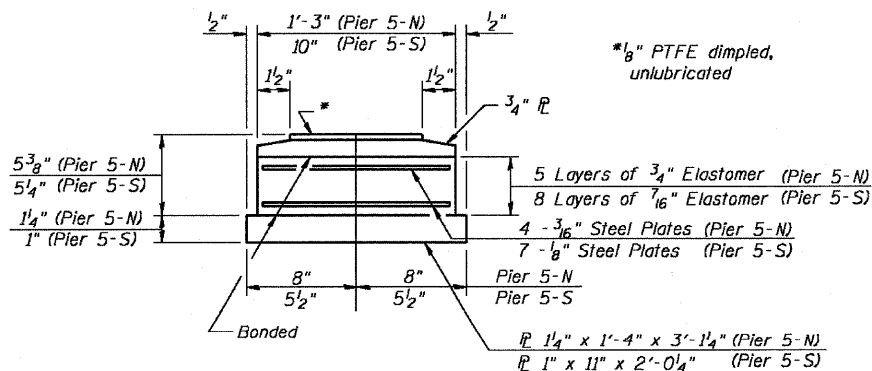
TOP BEARING ASSEMBLY



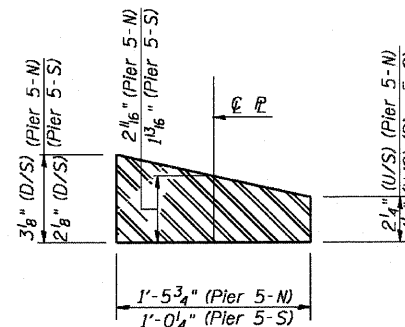
SIDE RETAINER

Equivalent rolled angle with stiffeners will be allowed in lieu of welded plates.

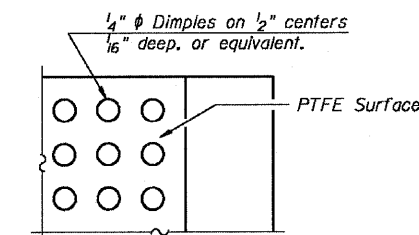
* Thickness = 5/8" (Pier 5-N) & 1/2" (Pier 5-S)



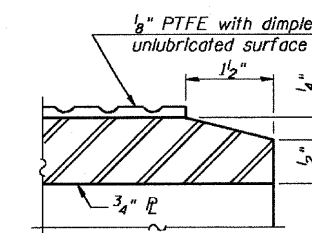
BOTTOM BEARING ASSEMBLY



BEVELED TOP PLATE DETAIL
FOR PIERS 5-N & 5-S



PLAN-PTFE SURFACE



SECTION THRU PTFE

BILL OF MATERIAL

Item	Unit	Total
Elastomeric Bearing Assembly Type II	Each	12
Anchor Bolts 1"	Each	12
Anchor Bolts 1 1/2"	Each	12

ELASTOMERIC BEARING
ASSEMBLY 2
IL. 170 F.A.P. 786 OVER
ILLINOIS RIVER AT SENECA
PUBLIC WATERS
LA SALLE COUNTY, SECTION 109 BR
STATION 79+04.42
STRUCTURE NO. 050-0246

DESIGNED - CLS
CHECKED - DEV
DRAWN - JHR
CHECKED - RJC