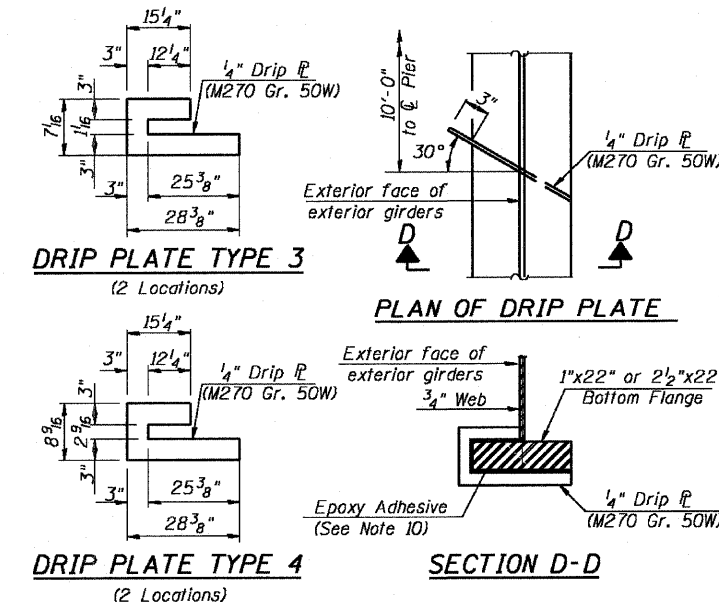
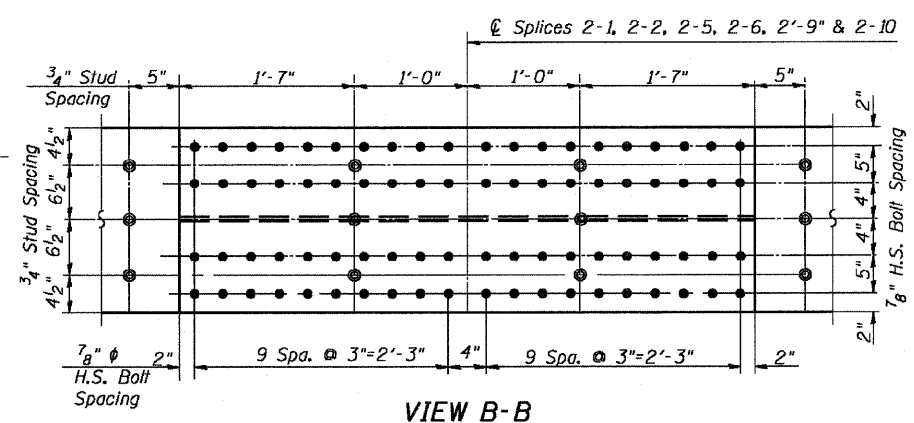
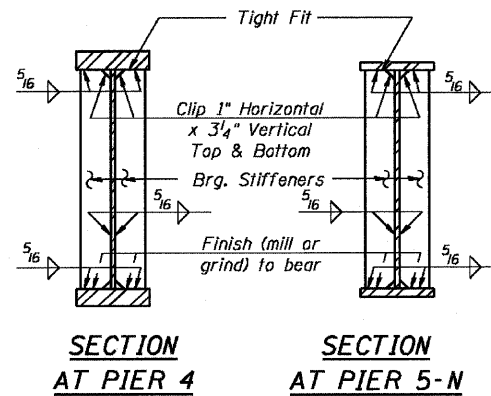
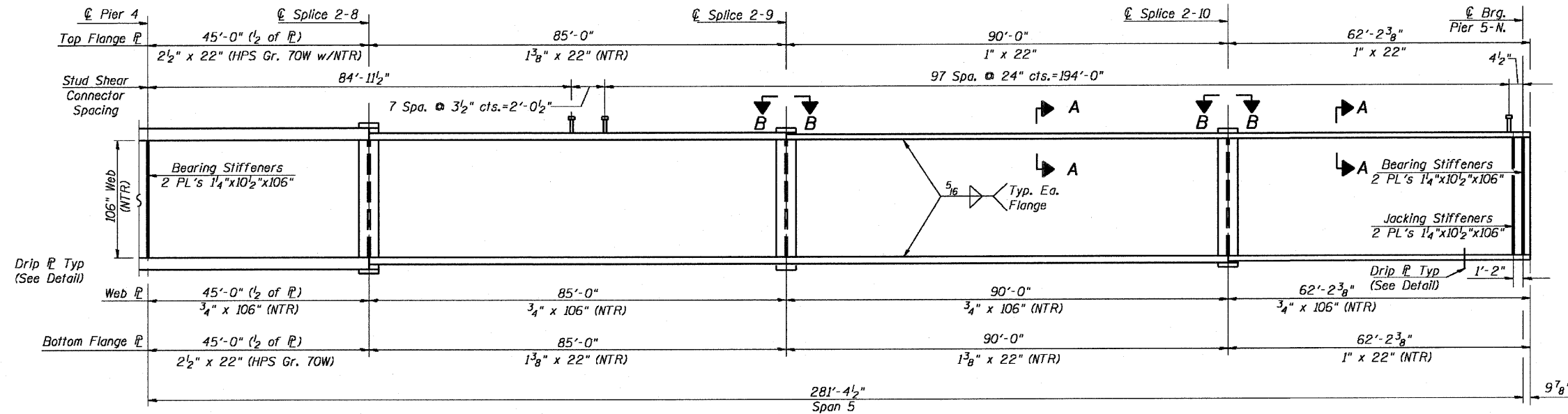
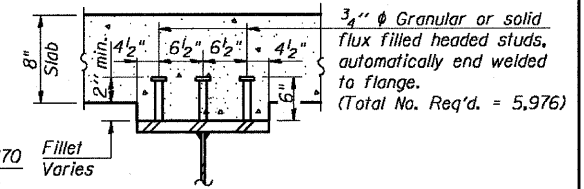
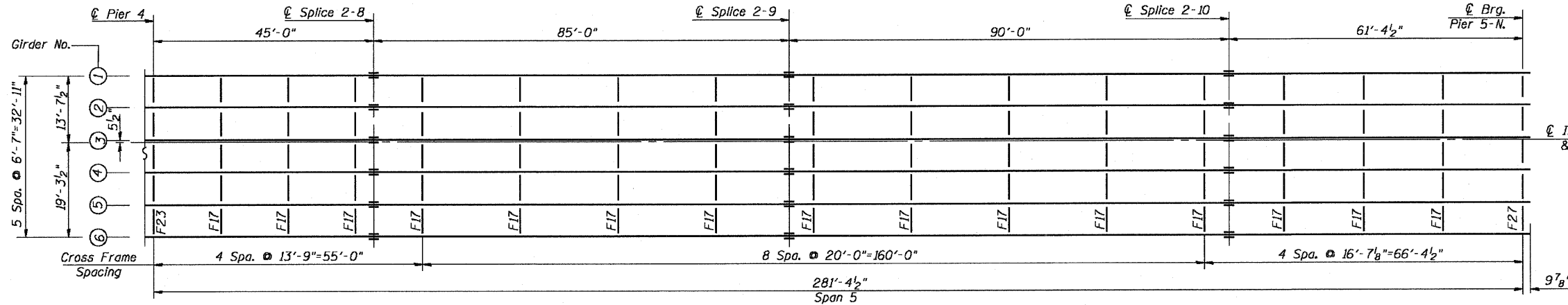


Contract # 66607



- Notes:**
1. Work this sheet with Sheets 45, 46 & 48.
  2. See Sheet 45 for details of Splices 2-8 thru 2-10.
  3. See Sheet 54 for Cross Frame Details.
  4. M270 Grade 50W steel shall be used for all flanges, flange splice plates, webs, web splice plates, & bearing plates unless otherwise noted.
  5. M270 HPS Grade 70W steel shall be used for select flanges as noted.
  6. (NTR) denotes Notch Toughness Requirements. Plates designated "NTR" shall conform to the supplement requirements for toughness (Zone 2). NTR plates include tension flanges, webs, and all splice plate material (except fill plates).
  7. H.S. bolts for splices shall be 7/8" φ AASHTO M164/ASTM A325 H.S. bolts (Type 3 for weathering steel) with 5/16" φ standard size holes unless otherwise noted.
  8. Design of H.S. bolts assumes no threads in the shear plane and a Class A surface for slip resistance.
  9. All cross frames between girders shall be installed with erection pins and bolts in accordance with the erection plan approved by the Engineer. Individual cross frames at supports may be temporarily disconnected to install bearing anchor rods.
  10. Drip plates shall be installed on suitably prepared surfaces after shop priming, using a two component epoxy suitable for structural steel under prolonged exposure. Plates shall be painted with the paint specified for structural steel.

DESIGNED - CLS
CHECKED - OPY
DRAWN - JHR
CHECKED - RJC

**FRAMING PLAN  
UNIT 2 (3 OF 3)**  
IL. 170 F.A.P. 786 OVER  
ILLINOIS RIVER AT SENECA  
PUBLIC WATERS  
LA SALLE COUNTY, SECTION 109 BR  
STATION 79+04.42  
STRUCTURE NO. 050-0246