

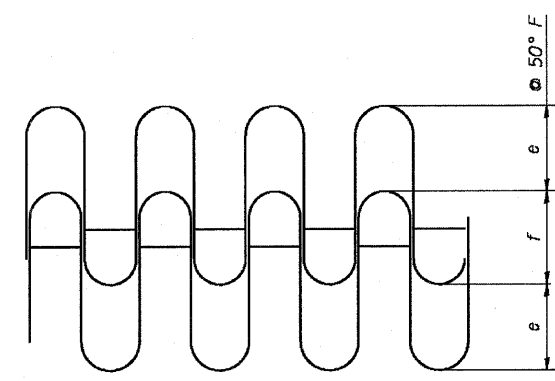
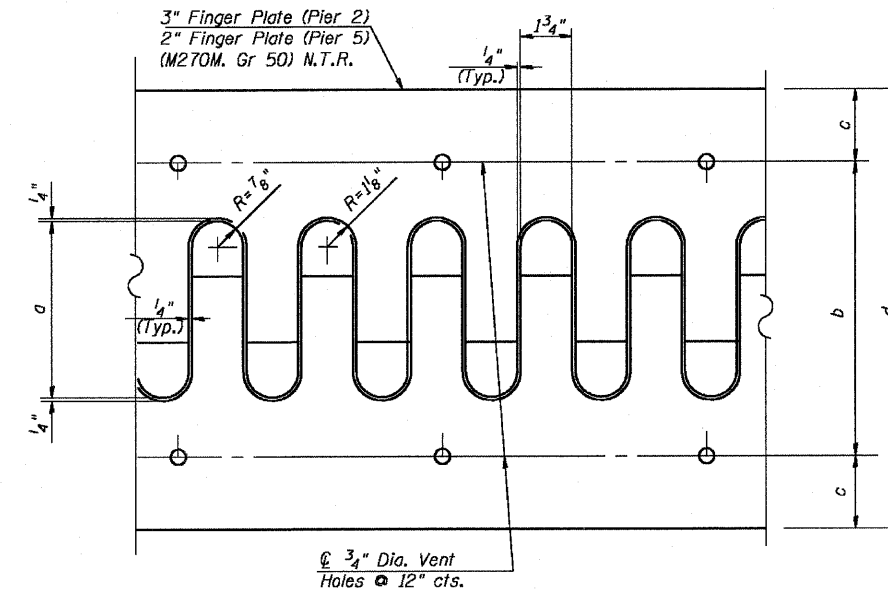
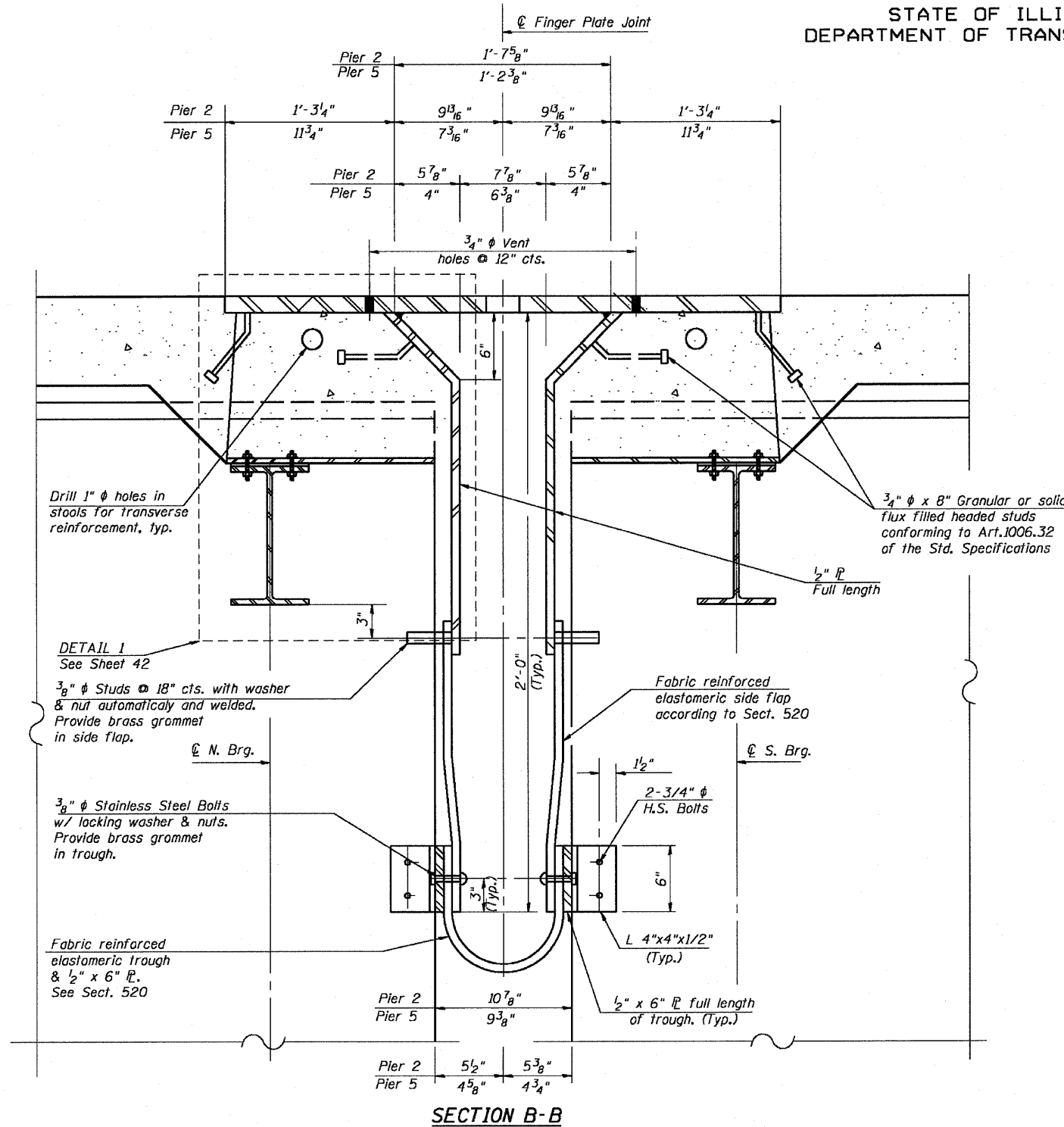
STATE OF ILLINOIS
DEPARTMENT OF TRANSPORTATION



F.A.P. ROUTE NO.	SECTION	COUNTY	TOTAL SHEETS	SHEET NO.
786	109 BR	La Salle	351	241
FED. ROAD DIST. NO. 7	ILLINOIS	FED. AID PROJECT-		

SHEET NO. 41
89 SHEETS

Contract # 66607



- Notes:
1. Work this sheet with Sheets 39, 40 & 42.
 2. M 270 Grade 50W steel shall be used for the finger plates and attachments.
 3. Finger plate expansion joints shall be assembled in their final relative position with the ends in place for shop inspection and acceptance.

TABLE OF VARIABLES

LOCATION	a	b	c	d	e	f
Pier 2	1'-0 1/2"	1'-8 1/4"	1'-0 1/4"	3'-8 3/4"	5 1/8"	6 3/4"
Pier 5	8 3/4"	1'-4 1/2"	8 3/4"	2'-10"	4 1/8"	4 7/8"

DESIGNED - CLS
CHECKED - DEV
DRAWN - JHR
CHECKED -

FINGER PLATE EXP. JT. DETAILS 1
AT PIERS 2 & 5
IL. 170 F.A.P. 786 OVER
ILLINOIS RIVER AT SENECA
PUBLIC WATERS
LA SALLE COUNTY, SECTION 109 BR
STATION 79+04.42
STRUCTURE NO. 050-0246