

STATE OF ILLINOIS  
DEPARTMENT OF TRANSPORTATION

ROUTE NO.	SECTION	COUNTY	TOTAL SHEETS	SHEET NO.	SHEET NO. 1
FAP 786 (IL 170)		LASALLE	351	200A	1 SHEETS
FED. ROAD DIST. NO. 7		ILLINOIS	FED. AID PROJECT		

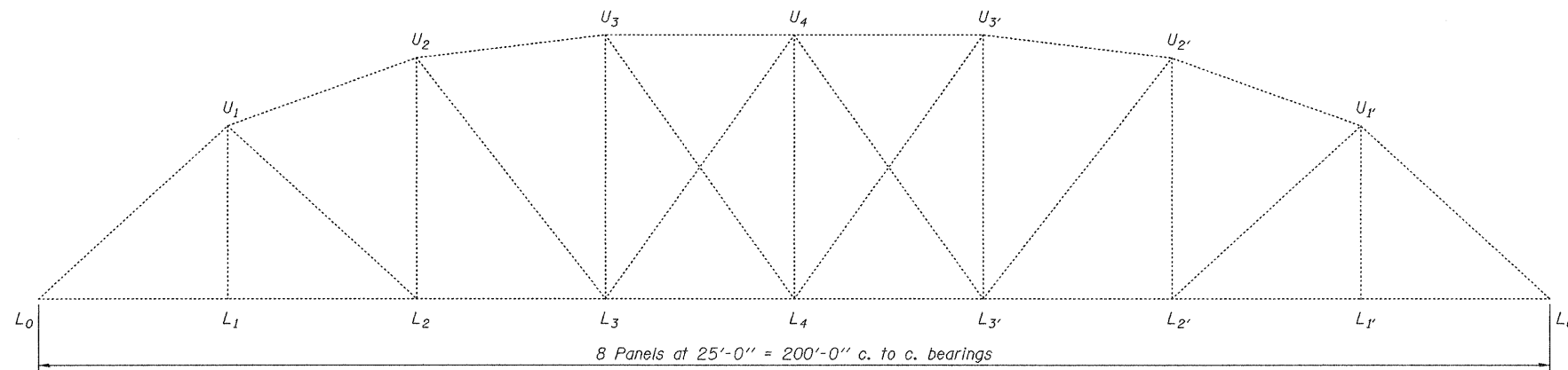
Contract Number: 66607

**GENERAL NOTES**

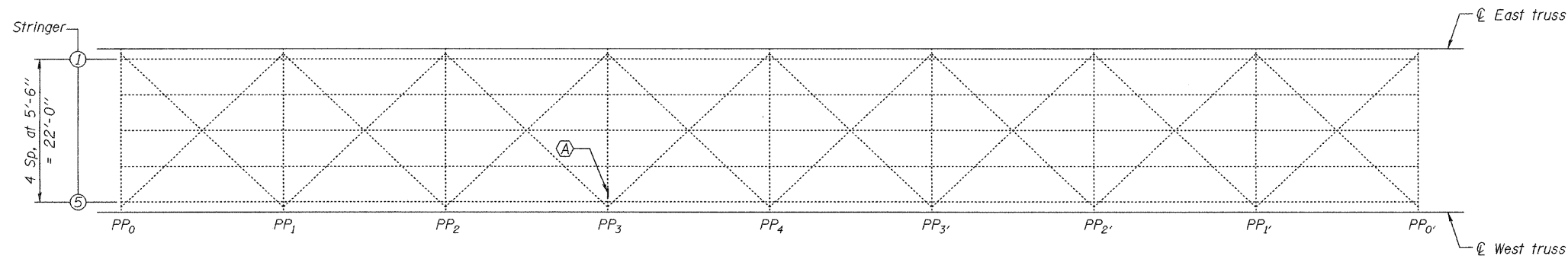
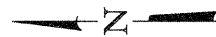
Fasteners shall be high strength bolts. Bolts  $\frac{7}{8}$ " $\phi$ , open holes  $\frac{5}{16}$ " $\phi$ , unless otherwise noted.

Plan dimensions and details relative to existing plans are subject to routine variations. The Contractor shall field verify existing dimensions and details affecting new construction and make necessary approved adjustments prior to construction or ordering of materials. Such variations shall not be cause for additional compensation for a change in scope of the work, however, the Contractor will be paid for the quantity actually furnished based upon the unit price bid for the work.

The existing structural steel coating contains lead. The Contractor shall take appropriate precautions to deal with the presence of lead on this project.



**ELEVATION, SPAN 6**  
(Looking East)



**FRAMING PLAN, SPAN 6**

Ⓐ - Repair cracked weld at floorbeam cover plate

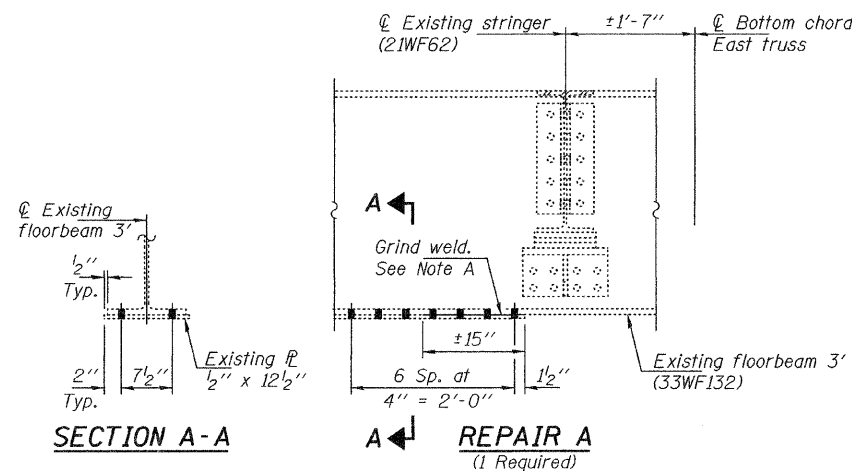
Note A:  
The Contractor shall grind cracked weld ( $\pm 15'$ ) parallel to the direction of the existing weld and not perpendicular to the weld. Grind surfaces shall be inspected for cracks using dye penetrant or magnetic particle testing prior to initiating bolting. Area should be thoroughly cleaned to remove any existing pack rust. Apply sealant compatible with structural steel before bolting cover plate to bottom flange. All labor, materials and traffic control required to complete the work as indicated on this sheet will be paid for at the contract unit price L. Sum for Structural Steel Repair.

DESIGNED	Victor H. Veliz
CHECKED	Ramon Balva
DRAWN	balva
CHECKED	VHV

NOVEMBER 6, 2007  
EXAMINED *[Signature]*  
ENGINEER OF STRUCTURAL SERVICES  
PASSED *[Signature]*  
ENGINEER OF BRIDGES AND STRUCTURES



EXPIRES 11-30-2008



**TOTAL BILL OF MATERIAL**

ITEM	UNIT	QUANTITY
Structural Steel Repair	L. Sum	1

**BRIDGE REPAIRS**  
**FAP 786 (IL. 170)**  
**LASALLE COUNTY**  
**SN 050-0070**