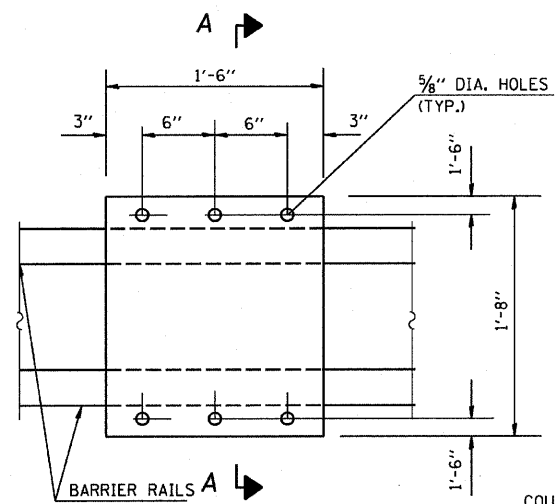
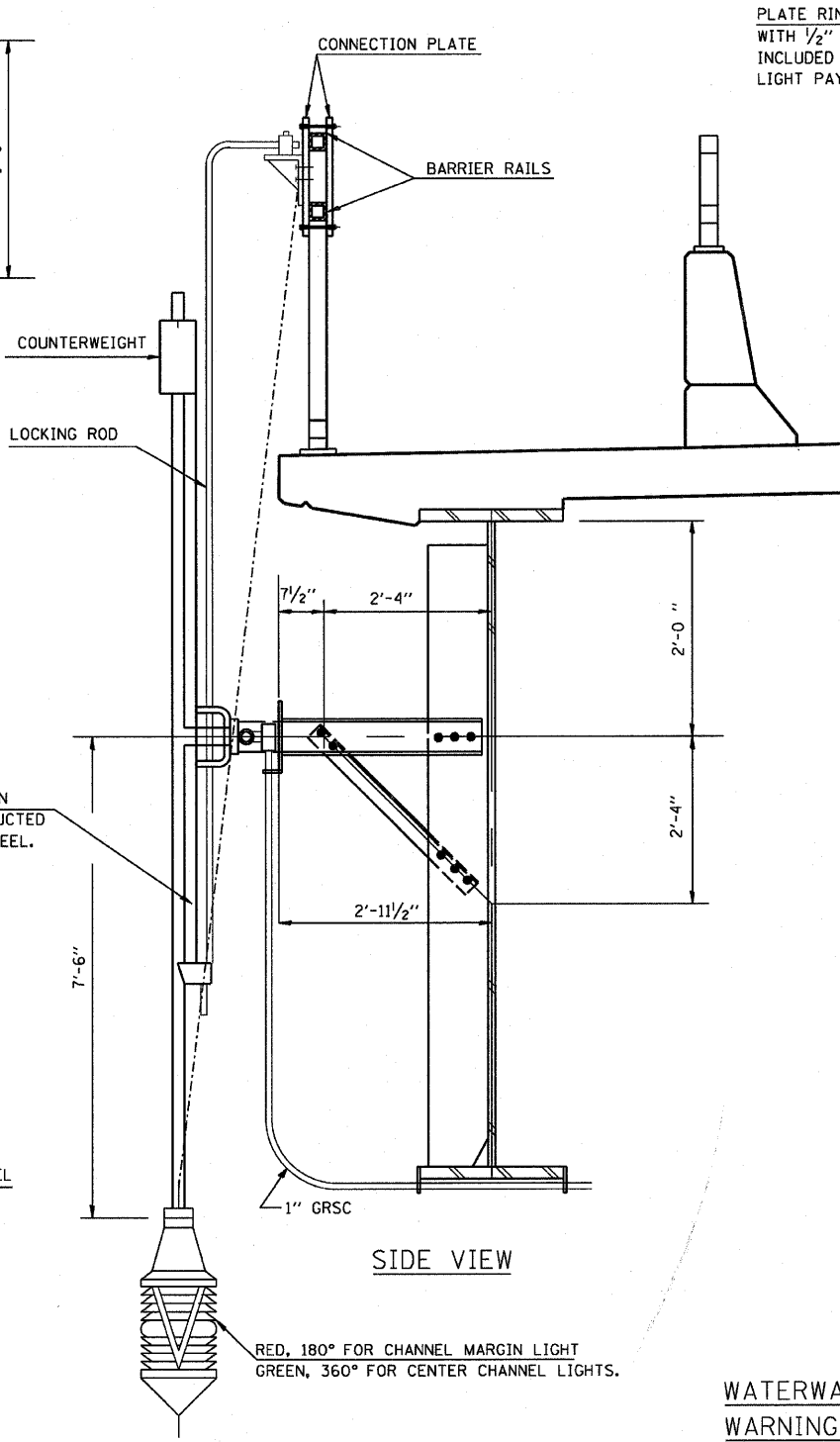


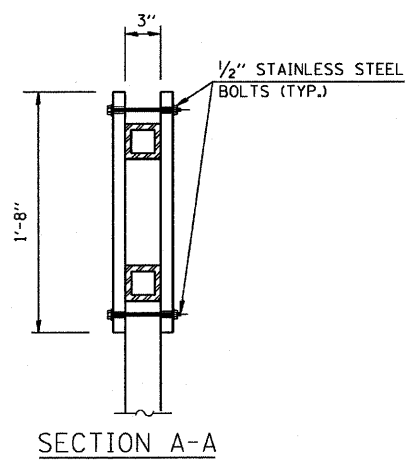
F.A.P. RTE.	SECTION	COUNTY	TOTAL SHEETS	SHEET NO.
786	(109) BR	LASALLE	351	188
STA.		TO STA.		
FED. ROAD DIST. NO.	ILLINOIS	FED. AID PROJECT		



CONNECTION PLATE DETAILS



SIDE VIEW

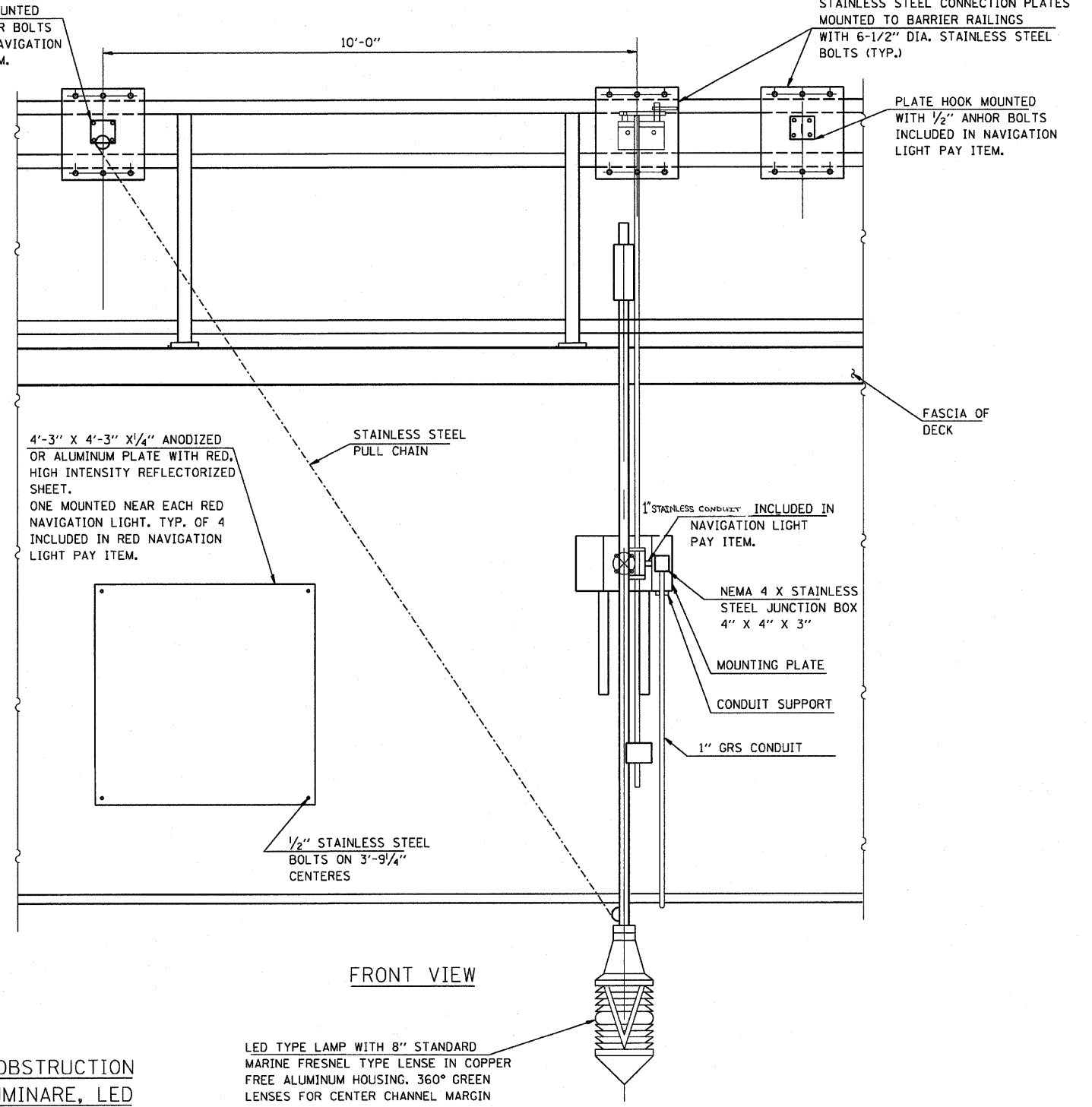


SECTION A-A

NOTES:  
FOR LOCK BRACKET DETAILS  
SEE SHEET 188

RED, 180° FOR CHANNEL MARGIN LIGHT  
GREEN, 360° FOR CENTER CHANNEL LIGHTS.

**WATERWAY OBSTRUCTION  
WARNING LUMINAIRE, LED  
WEST SIDE OF BRIDGE  
(TYP. OF 3)**



FRONT VIEW

LED TYPE LAMP WITH 8" STANDARD  
MARINE FRESNEL TYPE LENSE IN COPPER  
FREE ALUMINUM HOUSING. 360° GREEN  
LENSES FOR CENTER CHANNEL MARGIN  
LIGHTS. RED LED, SHALL BE 46 CANDELA AT  
6.0 WATTS GREEN LED, SHALL BE 44  
CANDELA AT 8.4 WATTS.

REVISIONS	
NAME	DATE

ILLINOIS DEPARTMENT OF TRANSPORTATION  
**ELECTRICAL DETAILS**  
**IL 170 BRIDGE REPLACEMENT AT SENECA**  
SCALE: 1" = 50'  
DATE: OCTOBER, 2007  
DRAWN BY: CJO  
CHECKED BY: JCL

PLOT DATE = 10/11/2007  
PLOT SCALE = 1/8" = 1'-0"  
PLOT USER = PROJECT