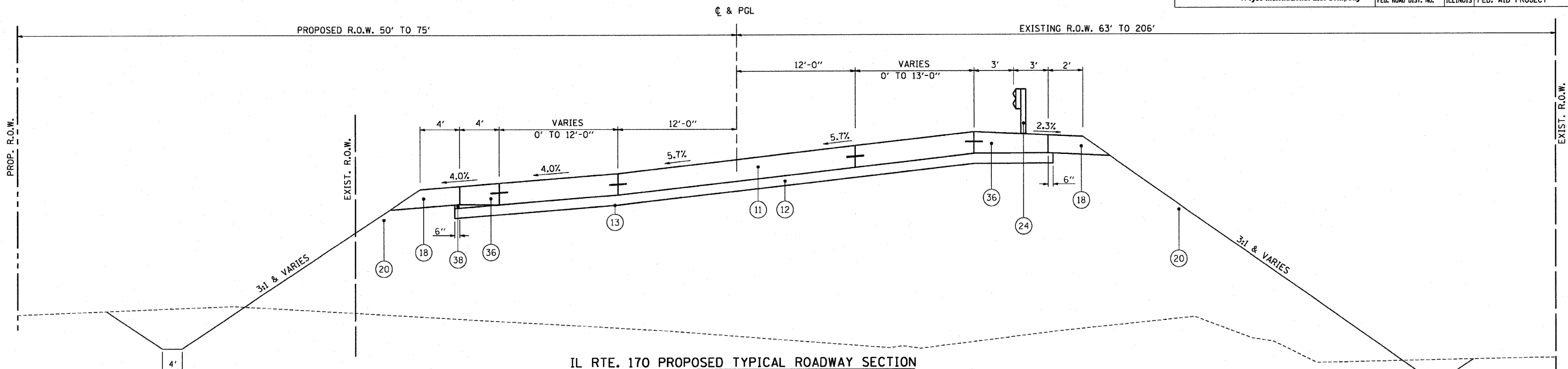
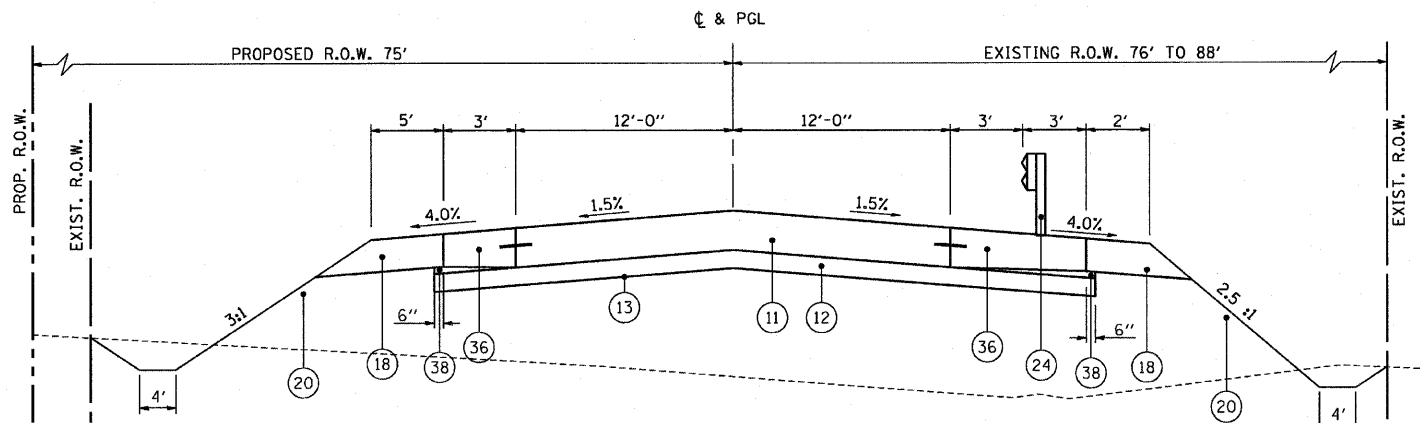


F.A.P. RTE.	SECTION	COUNTY	TOTAL SHEETS	SHEET NO.
786	(109) BR	LASALLE	351	11
STA. 61+50		TO STA. 100+00		
FED. ROAD DIST. NO.		ILLINOIS FED. AID PROJECT		



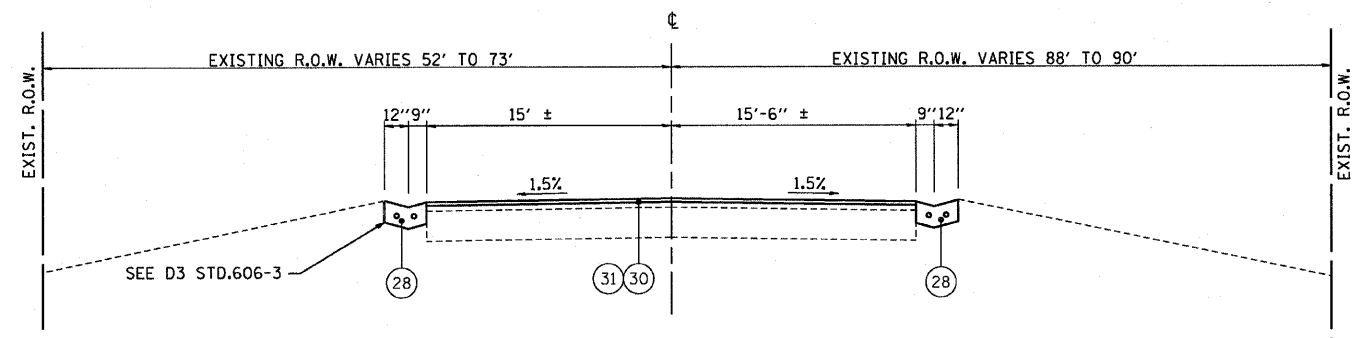
**IL RTE. 170 PROPOSED TYPICAL ROADWAY SECTION**

STA. 89+94.0 TO 96+74.0  
SEE PLANS FOR GUARDRAIL LOCATIONS  
NOTE: S.E. TRANSITION FROM 5.7% @ STA. 95+25 TO NORMAL CROWN @ STA. 96+74



**IL RTE. 170 PROPOSED TYPICAL ROADWAY SECTION**

STA. 96+74.0 TO STA. 97+49.5  
SEE PLANS FOR GUARDRAIL LOCATIONS



**IL RTE. 170 PROPOSED TYPICAL ROADWAY SECTION**

STA. 97+49.5 TO STA. 99+47.0

**LEGEND**

- |  |   |  |   |
|--|---|--|---|
| 1 EXISTING BITUMINOUS CONCRETE OVERLAY, 3"               | 13 GEOTECHNICAL FABRIC FOR GROUND STABILIZATION                             | 23 PROPOSED AGGREGATE SHOULDER, TYPE A, 6 1/2"                             | 34 PROPOSED PORTLAND CEMENT CONCRETE DRIVEWAY, 8" |
| 2 EXISTING P.C.C. PAVEMENT, 7"                           | 14 PROPOSED POLYMERIZED HOT-MIX ASPHALT SURFACE COURSE, MIX D, N50, 1 1/2"  | 24 PROPOSED STEEL PLATE BEAM GUARDRAIL, TYPE A (SEE PLANS FOR LOCATION)    | 35 PROPOSED SUB-BASE GRANULAR MATERIAL TYPE A, 8" |
| 3 EXISTING BITUMINOUS PAVEMENT, 9" W. OF IL RTE 170)     | 15 PROPOSED POLYMERIZED HOT-MIX ASPHALT BINDER COURSE, IL-19.0, N50, 5"     | 25 PROPOSED INCIDENTAL HOT-MIX ASPHALT SURFACING, 6"                       | 36 PROPOSED PCC SHOULDER, 9.5"                    |
| 4 EXISTING BITUMINOUS PAVEMENT, 6/75" (E. OF IL RTE 170) | 16 PROPOSED POLYMERIZED HOT-MIX ASPHALT BINDER COURSE, IL-19.0, N50, 6 1/2" | 26 PAVEMENT REMOVAL  | 37 REMOVE AND REERECT STEEL PLATE BEAM GUARDRAIL  |
| 5 EXISTING AGGREGATE SHOULDER                            | 17 PROPOSED AGGREGATE SUBGRADE, 12"   | 27 PROPOSED BITUMINOUS MATERIALS (PRIME COAT)                              | 38 PROPOSED SUB-BASE GRANULAR MATERIAL, TYPE C    |
| 6 EXISTING P.C.C. BASE COURSE WIDENING, 9"               | 18 PROPOSED AGGREGATE SHOULDER, TYPE A, 6"                                  | 28 TYPE B GUTTER   |   |
| 7 EXISTING COMB. CONC. CURB & GUTTER TY B-6-24           | 19 PROPOSED COMBINATION CONCRETE CURB AND GUTTER, TYPE B-6.24               | 16 PROPOSED EARTH SHOULDER   |   |
| 8 EXISTING P.C.C. SIDEWALK                               | 20 PROPOSED TOPSOIL PLACEMENT, 4" AND SEEDING OR SODDING (SEE PLANS)        | 30 PROPOSED HOT-MIX ASPHALT SURFACE REMOVAL, 1 1/2"                        |   |
| 9 EXISTING STEEL PLATE BEAM GUARDRAIL                    | 21 PROPOSED PCC SIDEWALK, 4" (SEE PLANS FOR LOCATIONS)                      | 31 PROPOSED POLYMERIZED HOT-MIX ASPHALT SURFACE COURSE, MIX D, N50, 1 1/2" |   |
| 10 EXISTING AGGREGATE SHOULDER                           | 22 PROPOSED HOT-MIX ASPHALT SHOULDERS, 6 1/2"                               | 32 PROPOSED COMBINATION CONC. CURB AND GUTTER, TYPE B-6.12                 |   |
| 11 PROPOSED PORTLAND CEMENT CONCRETE PAVEMENT, 9.5"      |   | 33 PROPOSED SUB-BASE GRANULAR MATERIAL, TYPE A 4"                          |   |
| 12 PROPOSED SUB-BASE GRANULAR MATERIAL, TYPE A 12"       |   |  |   |

REVISIONS	
NAME	DATE

ILLINOIS DEPARTMENT OF TRANSPORTATION

**ROADWAY TYPICAL SECTIONS**  
**IL 170 BRIDGE REPLACEMENT AT SENECA**

SCALE: 1" = 50'  
DATE: OCTOBER, 2007

DRAWN BY: CJO  
CHECKED BY: JCL

PLT DATE = 10/14/2007  
FILE NAME = BRIDGE  
PLOT SCALE = ESCALER  
USER NAME = project