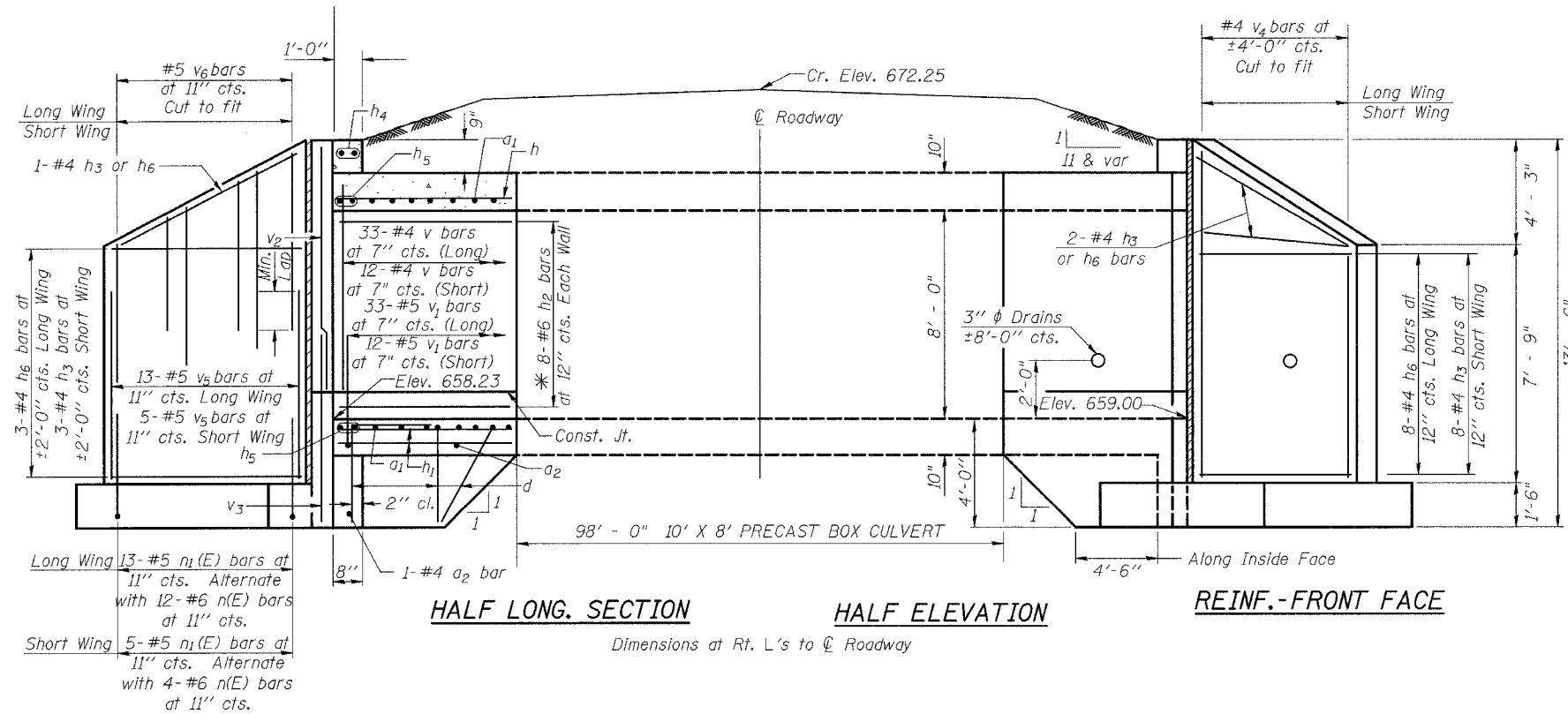
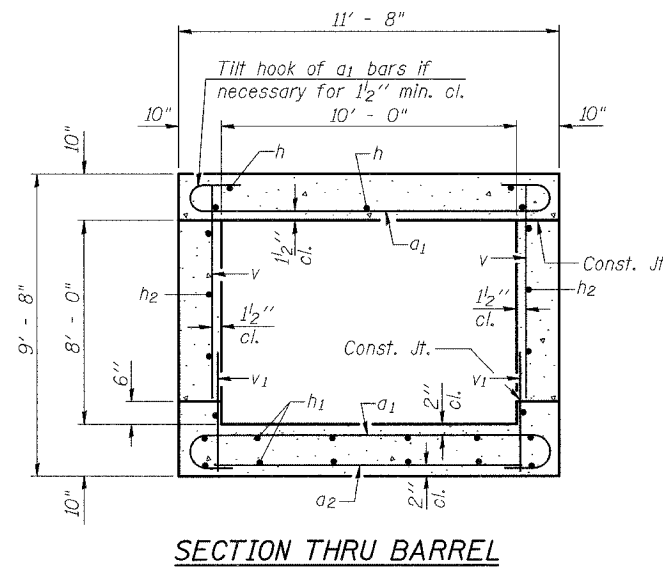
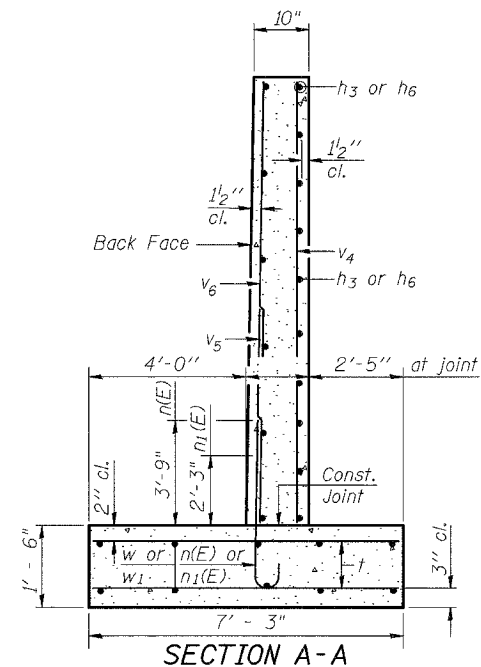
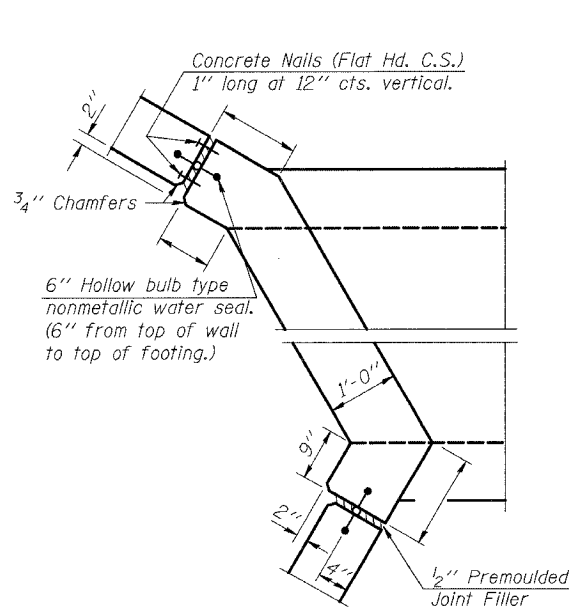


F.A.P. RTE.	SECTION	COUNTY	TOTAL SHEETS	SHEET NO.
642	11T	CARROLL	79	44
STA.		TO STA.		
FED. ROAD DIST. NO.		ILLINOIS	FED. AID PROJECT	

10'x8' Precast Box Culvert End Sections RT. & LT. STA. 805 + 74.24



REINF.-BACK FACE



GENERAL NOTES:

REINFORCEMENT BARS SHALL CONFORM TO THE REQUIREMENTS OF AASHTO M-31, M-42 OR M-53, GRADE 60.

SEE PLAN AND PROFILE SHEET FOR MORE INFORMATION.

SEE CROSS SECTION SHEET FOR MORE INFORMATION.

THIS WORK SHALL BE DONE ACCORDING TO THE APPLICABLE PORTION OF 503, 508, 540, AND 542 OF THE STANDARD SPECIFICATIONS.

CLASS "SI" CONCRETE SHALL BE USED. EXPOSED EDGES SHALL BE BEVELED 3/4".

THE CONTRACTOR SHALL NOT UNDERMINE THE PRECAST BOX SECTIONS WHILE BUILDING THE FOOTINGS.

REINFORCEMENT BARS DESIGNATED (E) SHALL BE EPOXY COATED.

ALL CONSTRUCTION JOINTS SHALL BE BONDED.

J BOLTS OR REBAR SPLICERS SHALL BE USED TO CONNECT THE PRECAST SECTIONS TO THE CAST-IN-PLACE SECTIONS.

THE CONTRACT UNIT PRICE "CU YD" FOR CLASS "SI" CONCRETE SHALL INCLUDE THE EXPANSION BOLTS, J BOLTS, REBAR SPLICERS, ANCHOR BOLTS, BOLTS, NUTS, WASHERS, STEEL PLATES, EARTH EXCAVATION WHERE REQUIRED, AND NECESSARY GRADING TO FIT THE INLET AS SHOWN IN THE CROSS SECTIONS OR TO THE SLOPE.

DESIGN STRESSES

$f_y = 60,000$ psi
 $f'_c = 3,500$ psi

Max. Soil Pressure under footing = 2848 psf

LOADING HS 20-44 & ALT.

PLOT DATE = Wed Oct 19 15:22:53 2007
PLOT SCALE = 1/8" = 1'-0"
PLOT USER = cshimabw