

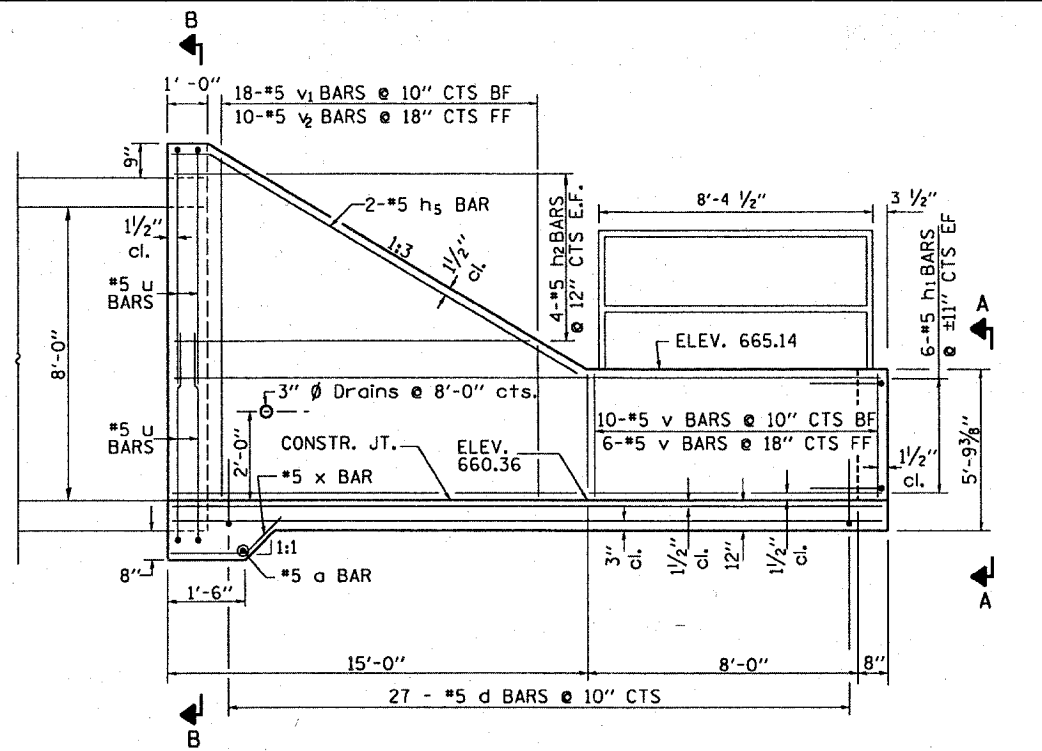
F.A.P. RTE.	SECTION	COUNTY	TOTAL SHEETS	SHEET NO.
642	11T	CARROLL	79	43
STA.		TO STA.		
FED. ROAD DIST. NO.		ILLINOIS FED. AID PROJECT		

# DROP BOX NO. 1

## RT STA 801+47 (IL 78)

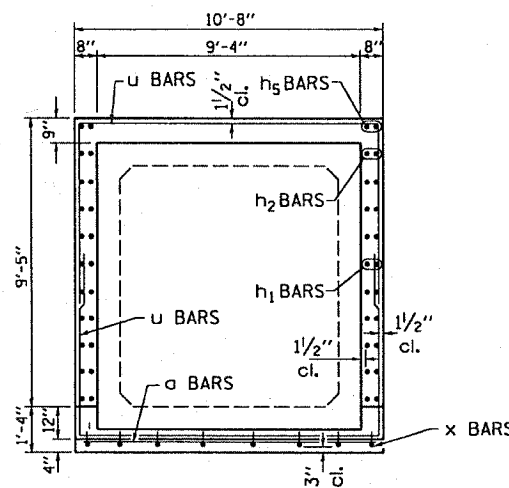
### BILL OF MATERIALS

BAR	NO.	SIZE	LENGTH	SHAPE
a	57	5	10'-5"	—
d	64	5	5'-10"	└
h	24	5	22'-5"	—
h1	24	5	23'-5"	—
h2	8	5	15'-6"	—
h3	12	5	10'-5"	—
h4	12	5	5'-10"	└
h5	4	5	16'-8"	└
v	52	5	4'-6"	—
v1	18	5	15'-0"	—
v2	10	5	15'-2"	—
v3	2	5	5'-4"	—
u	4	5	23'-1"	└
x	12	5	2'-3"	└
PIPE HANDRAIL			FOOT	27
CLASS "SI" CONCRETE			CU YD	18.1
REINFORCEMENT BARS			LB	3380

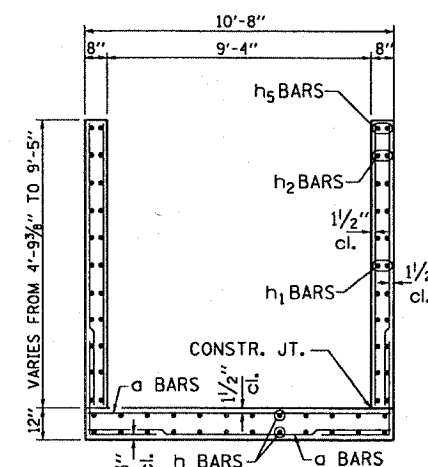


**LONGITUDINAL SECTION**

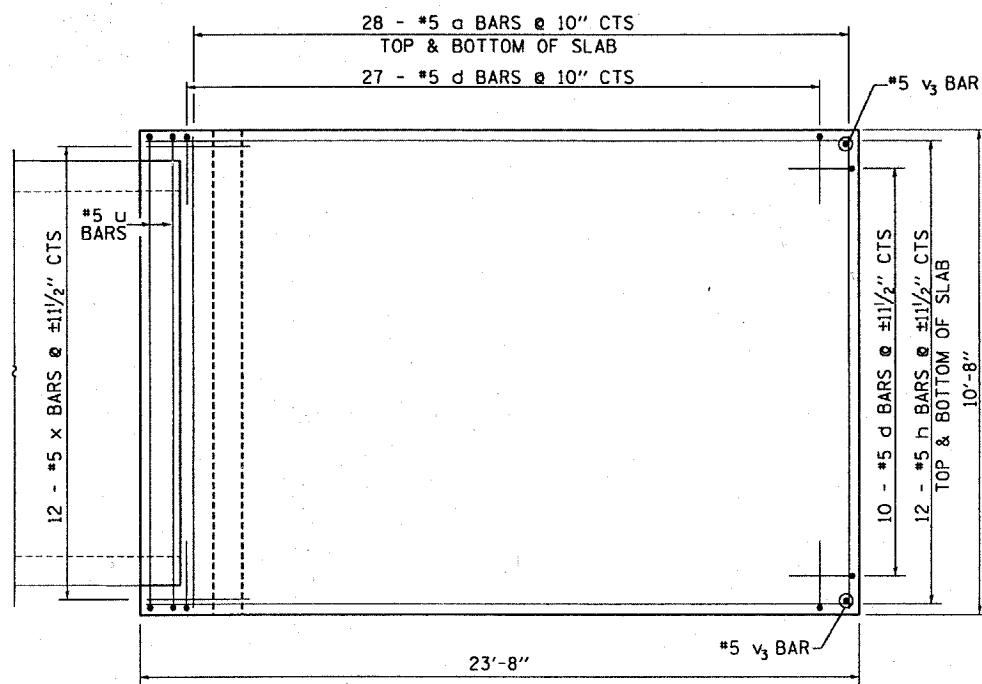
MIN. LAP LENGTH  
#5 = 2'-2"



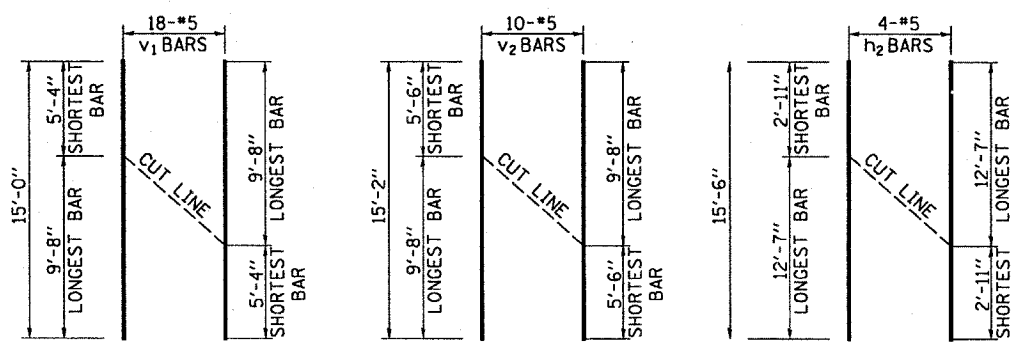
**SECTION B-B**



**SECTION THRU DROP BOX**



**BOTTOM SLAB PLAN VIEW**

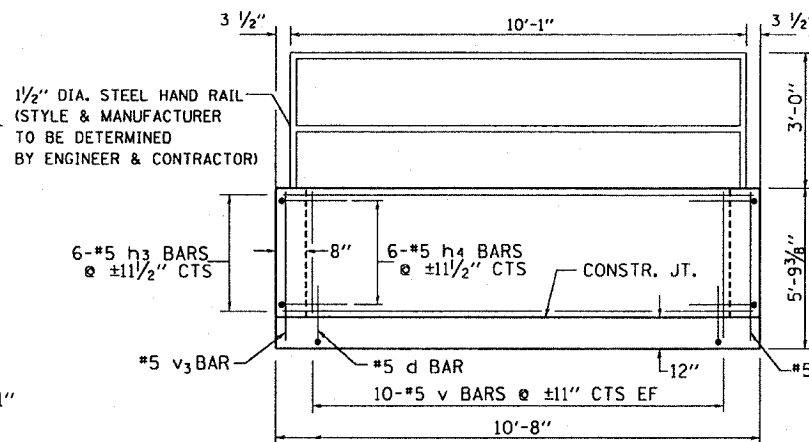


**BAR v1 CUT DIAGRAM**

**BAR v2 CUT DIAGRAM**

**BAR h2 CUT DIAGRAM**

ORDER v1, v2 & h2 BARS FULL LENGTH.  
CUT AS SHOWN AND USE REMAINDER  
OF BARS IN OPPOSITE WALL.



**VIEW A-A**

**JAMES O. HAMILTON**  
081-003668  
LICENSED  
STRUCTURAL  
ENGINEER  
OF  
JACKSONVILLE  
ILLINOIS  
*James O. Hamilton*  
12/10/2007  
Lic. Expires  
11/30/2008

### GENERAL NOTES:

REINFORCEMENT BARS SHALL CONFORM TO THE REQUIREMENTS OF ASTM A706 GRADE 60 (IL MODIFIED). SEE SPECIAL PROVISIONS.

SEE PLAN AND PROFILE SHEET FOR MORE INFORMATION. SEE CROSS SECTION SHEET FOR MORE INFORMATION.

ALL HANDRAIL DIMENSIONS SHALL BE VERIFIED BY CONTRACTOR PRIOR TO FABRICATION OF PIPE HANDRAIL, BASED UPON FINAL LOCATION OF MOUNTING BOLTS.

HANDRAIL SHALL CONFORM TO SECTION 510 WITH THE EXCEPTION THAT ALL PIPE AND CONNECTIONS SHALL BE WELDED GALVANIZED OR ALUMINUM ACCORDING TO ARTICLE 1006.27, 1006.30, OR 1006.34.

THE DIAMETER OF THE GRIPPING SURFACE OF THE HANDRAIL SHALL BE 1-1/4" TO 1-1/2"

ENDS OF HANDRAIL SHALL BE ROUNDED.

HAND & SAFETY RAILS SHALL NOT ROTATE WITHIN THEIR FITTINGS.

GRIPPING SURFACES SHALL BE UNINTERRUPTED BY NEWEL POSTS, OTHER CONSTRUCTION ELEMENTS, OR OBSTRUCTIONS.

SEE PIPE HANDRAIL DETAIL SHEET FOR MORE INFORMATION.

THIS WORK SHALL BE DONE ACCORDING TO THE APPLICABLE PORTION OF 503, 508, 540, AND 542 OF THE STANDARD SPECIFICATIONS.

EXPOSED EDGES SHALL BE BEVELED 3/4".

THE COST OF EARTH EXCAVATION, WHERE REQUIRED, AND NECESSARY GRADING TO FIT THE INLET AS SHOWN IN THE CROSS SECTIONS OR TO THE SLOPE IS INCLUDED IN COST OF "CLASS "SI" CONCRETE."

THE CONTRACT UNIT PRICE "FOOT" FOR PIPE HANDRAIL SHALL INCLUDE THE PIPE, ANCHOR RODS, ANCHOR BOLTS, BOLTS, NUTS, WASHERS, AND STEEL BASE PLATES.