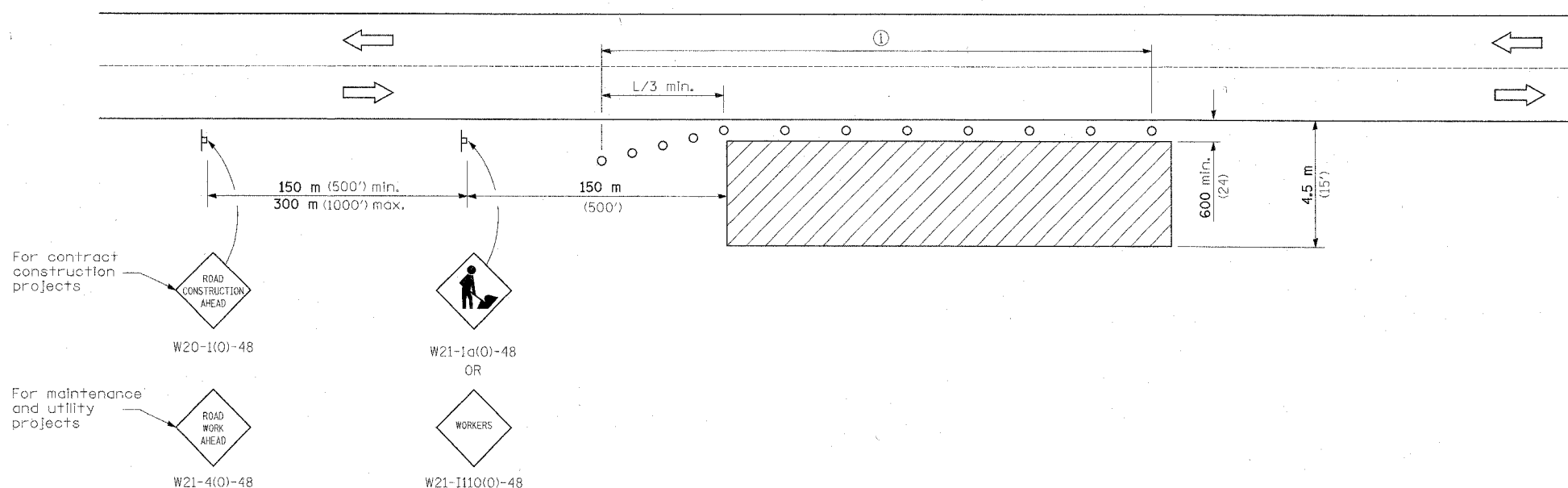


F.A.J. RTE.	SECTION	COUNTY	TOTAL SHEETS	SHEET NO.
332	2007-037TS	COOK/WILL	34	24
STA.		TO STA.		
FED. ROAD DIST. NO.		ILLINOIS FED. AID PROJECT		

D-91-343-07



For contract construction projects

W20-1(0)-48

For maintenance and utility projects

W21-4(0)-48

W21-1a(0)-48

OR

W21-1110(0)-48

TYPICAL APPLICATIONS

- Utility operations
- Culvert extensions
- Side slope changes
- Guardrail installation and maintenance
- Delineator installation
- Landscaping operations
- Shoulder repair
- Sign installation and maintenance

SYMBOLS

- Work area
- Sign
- Cone, drum or barricade

① When the work operation exceeds one hour, cones, drums or barricades shall be placed at 8 m (25') centers for L/3 distance, and at 15 m (50') centers through the remainder of the work area.

GENERAL NOTES

This Standard is used where any vehicles, equipment, workers or their activities will encroach in the area 4.5 m (15') to 600 mm (24") from the edge of pavement.

Calculate L as follows:

SPEED LIMIT	FORMULAS				
70 km/h (40 mph) or less:	<table border="0"> <tr> <td>Metric</td> <td>(English)</td> </tr> <tr> <td>$L = \frac{WS^2}{150}$</td> <td>$L = \frac{WS^2}{60}$</td> </tr> </table>	Metric	(English)	$L = \frac{WS^2}{150}$	$L = \frac{WS^2}{60}$
Metric	(English)				
$L = \frac{WS^2}{150}$	$L = \frac{WS^2}{60}$				
80 km/h (45 mph) or greater:	<table border="0"> <tr> <td>$L = 0.65(W)(S)$</td> <td>$L = (W)(S)$</td> </tr> </table>	$L = 0.65(W)(S)$	$L = (W)(S)$		
$L = 0.65(W)(S)$	$L = (W)(S)$				

W = Width of offset in meters (feet).

S = Normal posted speed km/h (mph).

All dimensions are in millimeters (inches) unless otherwise shown.

OFF-RD OPERATIONS, 2L, 2W, 4.5 m (15') TO 600 mm (24") FROM PAVEMENT EDGE

STANDARD 701006-02

PLT DATE = 11/26/07
 PLT SCALE = #SCALE#
 USER NAME = #P-NAME#

INFRASTRUCTURE ENGINEERING, INC.
 33 W. MONROE ST., SUITE 1540
 CHICAGO, IL 60603-5322
 PHONE 312.425.9560
 FAX 312.425.9564

REVISIONS		ILLINOIS DEPARTMENT OF TRANSPORTATION
NAME	DATE	
		DISTRICT ONE EXPRESSWAY LANE CLOSURE DETAILS

SCALE: VERT. _____
 HORIZ. _____
 DATE 11/26/07

DRAWN BY BL
 CHECKED BY ER/TC