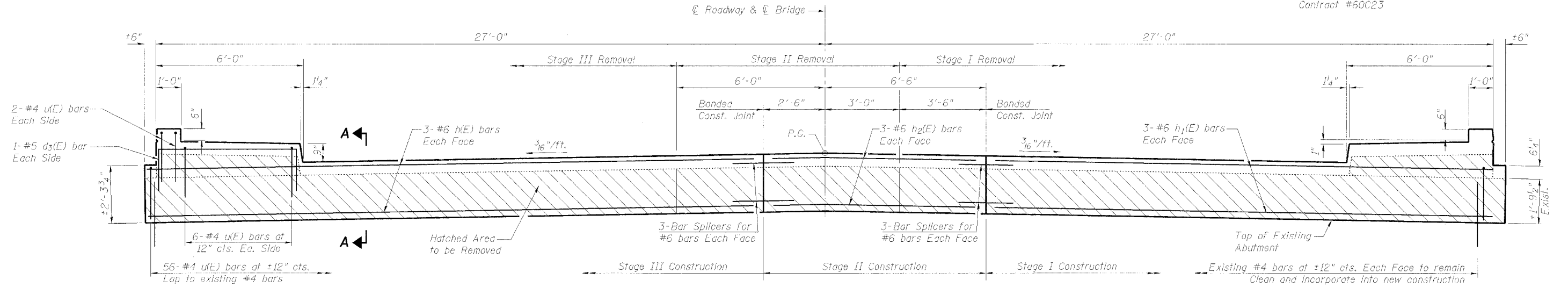


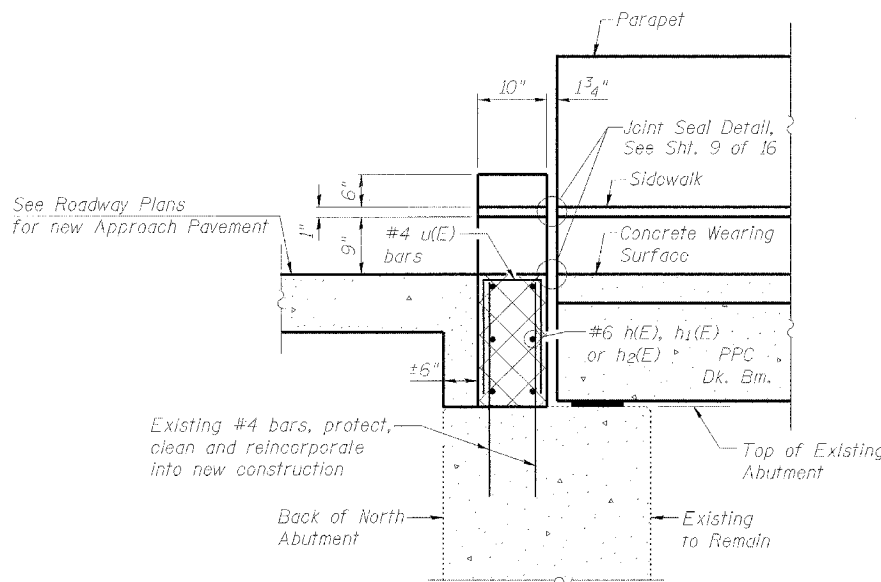
STATE OF ILLINOIS  
DEPARTMENT OF TRANSPORTATION

ROUTE NO.	SECTION	COUNTY	STATIONING	SHEET NO.	SHEET NO. 15
3887	AR-B	KANE	43	31	16 SHEETS
FED. ROAD DIST. NO. 7	ILLINOIS	FED. AID PROJECT			

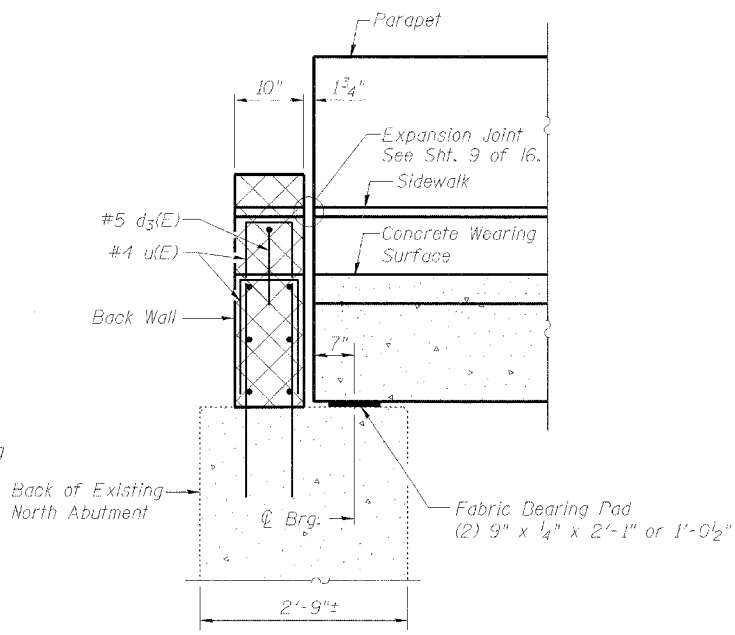
Contract #60C23



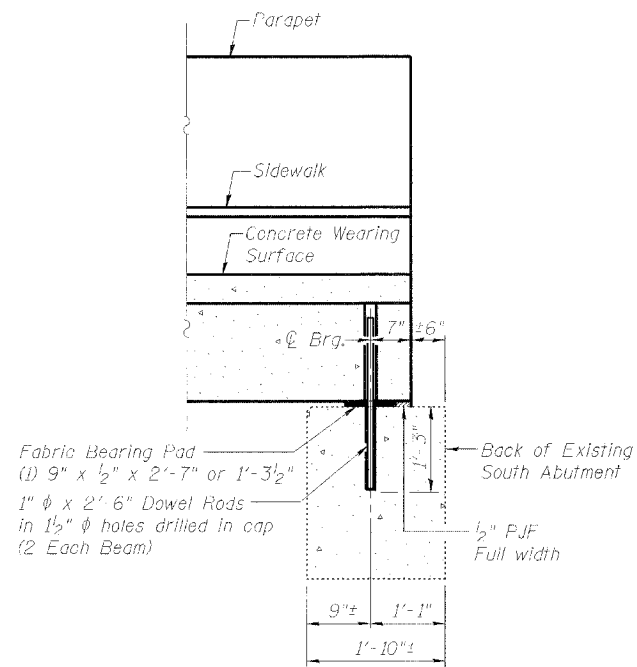
**ELEVATION NORTH ABUTMENT**  
Looking North



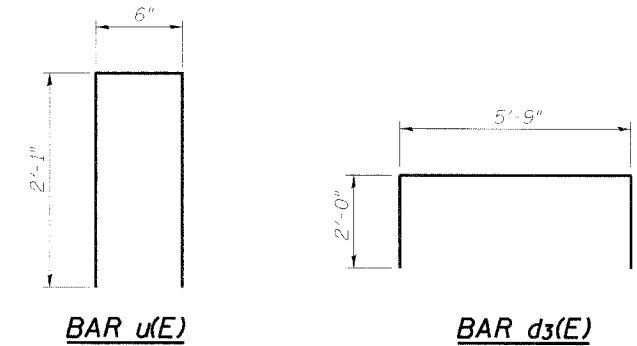
**SECTION A-A**



**SECTION THRU NORTH ABUTMENT AT SIDEWALK**



**SECTION THRU SOUTH ABUTMENT AT SIDEWALK**



**NOTES**

- Concrete shall be placed after PPC Deck Beams have been set and anchored and deck wearing surface has been placed. New concrete is indicated as cross hatched in section cuts.
- Concrete and reinforcement quantities are included in Bill of Material on Sht. 11 of 16.
- Cost of Concrete Removal is included in Removal of Existing Superstructures.

\* Cut approach Pavement but do not cut reinforcement. Protect, clean, and incorporate into new construction.

**NORTH ABUTMENT DETAILS**  
F.A.U. 3887 (IL 31)  
OVER MILL CREEK  
SECTION AR-B  
KANE COUNTY STA. 187+31.80  
STRUCTURE NO. 045-0020

DESIGNED	LLV
CHECKED	DDB
DRAWN	MGM
CHECKED	LLV

**STS CONSULTANTS**  
111 NE Jefferson Ave.  
Peoria, Illinois 61602  
Ph(309)676-8464  
FAX(309)676-5445  
IL Design Firm Reg. No. 184-001518