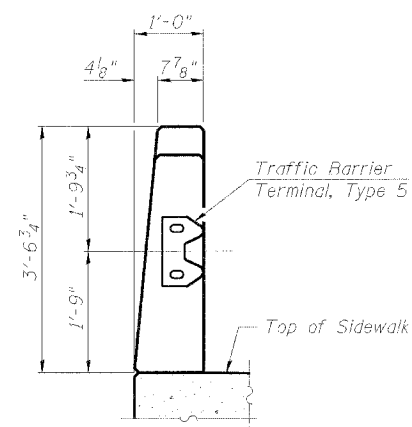


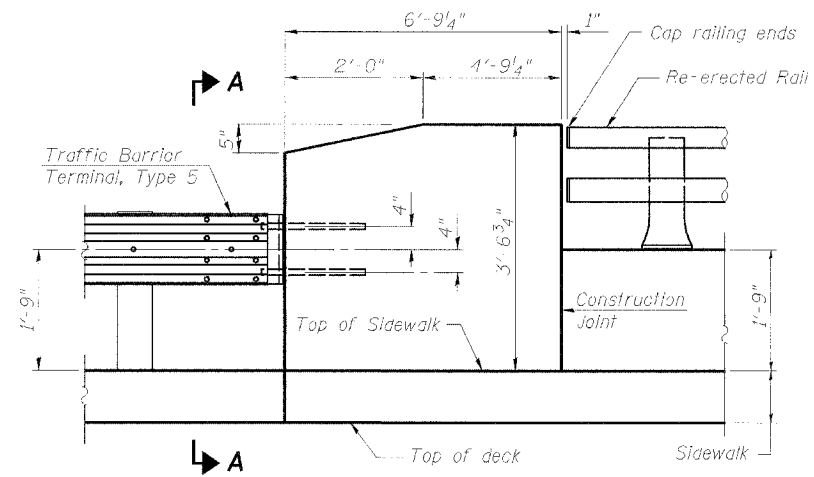
STATE OF ILLINOIS
DEPARTMENT OF TRANSPORTATION

ROUTE NO.	SECTION	COUNTY	TOTAL SHEETS	SHEET NO.	SHEET NO. 12
3887	AR-B	KANE	43	28	16 SHEETS
FED. ROAD DIST. NO.	ILLINOIS	FED. AID PROJECT			

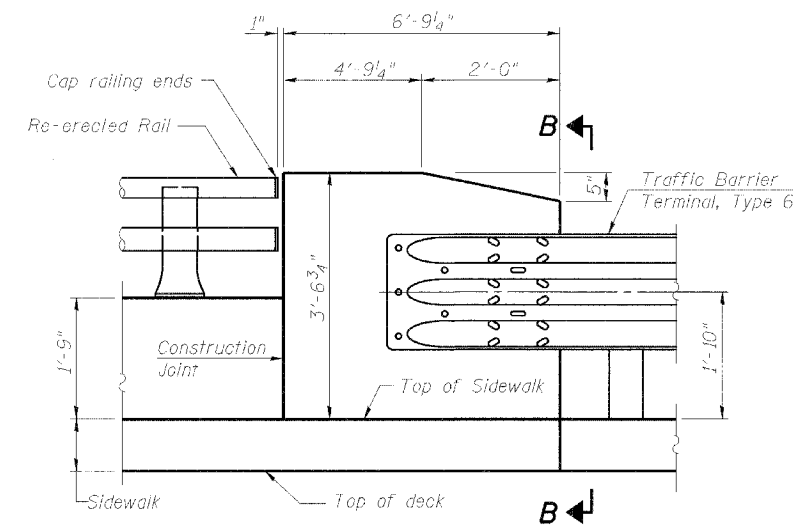
Contract #60C23



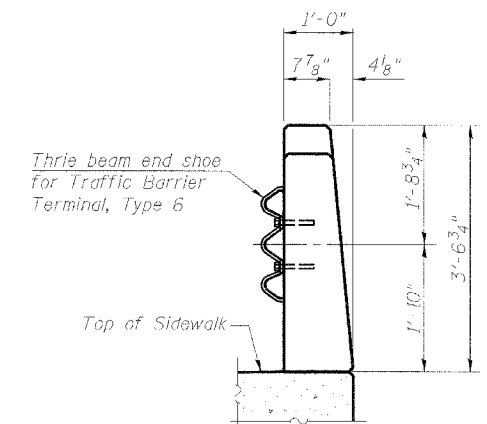
SECTION A-A



INSIDE ELEVATION OF PARAPET AT NE AND SW CORNERS



INSIDE ELEVATION OF PARAPET AT NW AND SE CORNERS



SECTION B-B

DESIGNED	DDB
CHECKED	LLV
DRAWN	MGM
CHECKED	DDB

PARAPET DETAILS
F.A.U. 3887 (IL 31)
OVER MILL CREEK
SECTION AR-B
KANE COUNTY STA. 187+31.80
STRUCTURE NO. 045-0020

STS CONSULTANTS
111 NE Jefferson Ave.
Peoria, Illinois 61602
Ph(309)676-8464
FAX(309)676-5445
IL Design Firm Reg. No. 184-001518