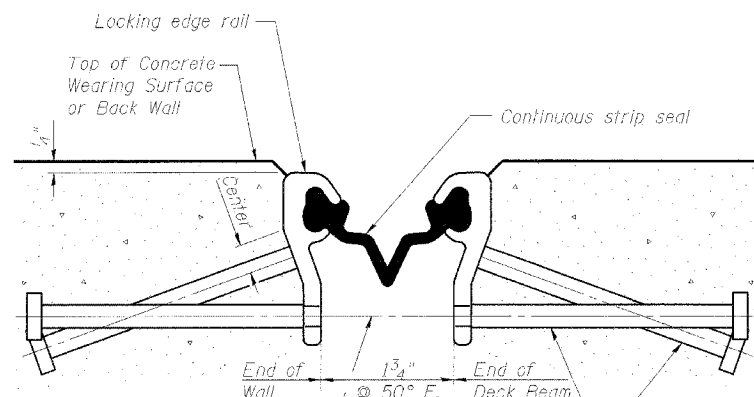


Contract #60C23

RETAINER ANGLE NOTES

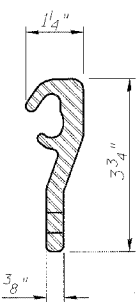
- Permanent side retainers shall be provided outside the fascia beams of the expansion ends of all spans.
- Temporary side retainers shall be provided outside the fascia beams of the expansion ends of all spans at the stage construction line.
- All retainers and anchor bolts are included in the cost of Precast Prestressed Concrete Deck Beams of the applicable depth.
- After the Concrete Wearing Surface has been poured and cured the temporary retainer angles and anchor bolts shall be removed. Anchor bolts shall be cut off flush, ground smooth, and sealed with epoxy.
- Anchor bolts shall be ASTM F1554 all-thread (or an Engineer-approved alternate material) of the grade(s) and diameter(s) specified. ASTM A307 Grade C anchor bolts may be used in lieu of ASTM F1554 Grade 36 (Fy=36 ksi). The corresponding specified grade of AASHTO M314 anchor bolts may be used in lieu of ASTM F1554.
- Drilled and set anchor bolts shall be installed according to Article 521.06 of the Standard Specifications.
- Retainers shall be shimmed tight until the concrete wearing is poured and cured. The shims shall then be removed from the permanent retainers and the retainers left in place.



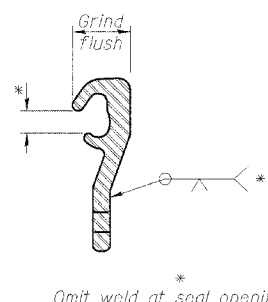
1/16" ϕ holes at 4'-0" cts. for 3/8" ϕ bolts. All bolts shall be burned, sawed, or chipped off flush with the plates after forms are removed, typ.

Place 1/2" ϕ x 6" granular or solid flux filled headed studs conforming to Article 1006.32 of the Std. Specs., automatically end welded at 1'-0" int. cts.

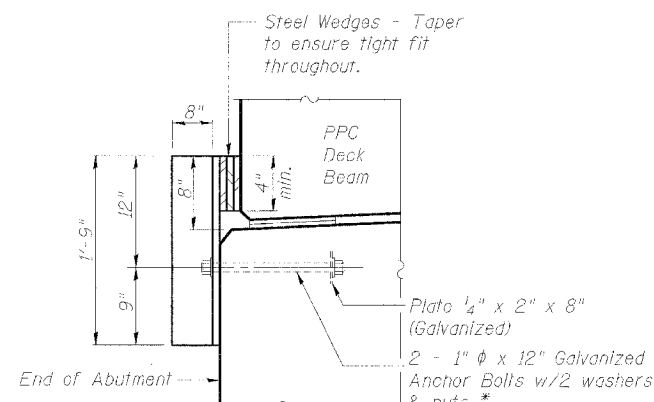
SECTION THRU STRIP SEAL JOINT FOR OVERLAY OVER DECK BEAMS



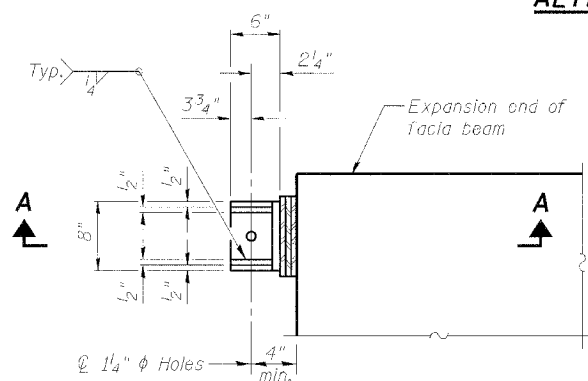
LOCKING EDGE RAIL



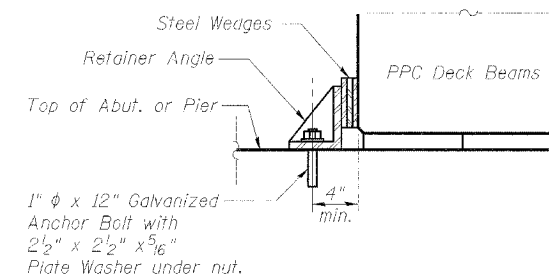
LOCKING EDGE RAIL SPLICE



ALTERNATE RETAINER

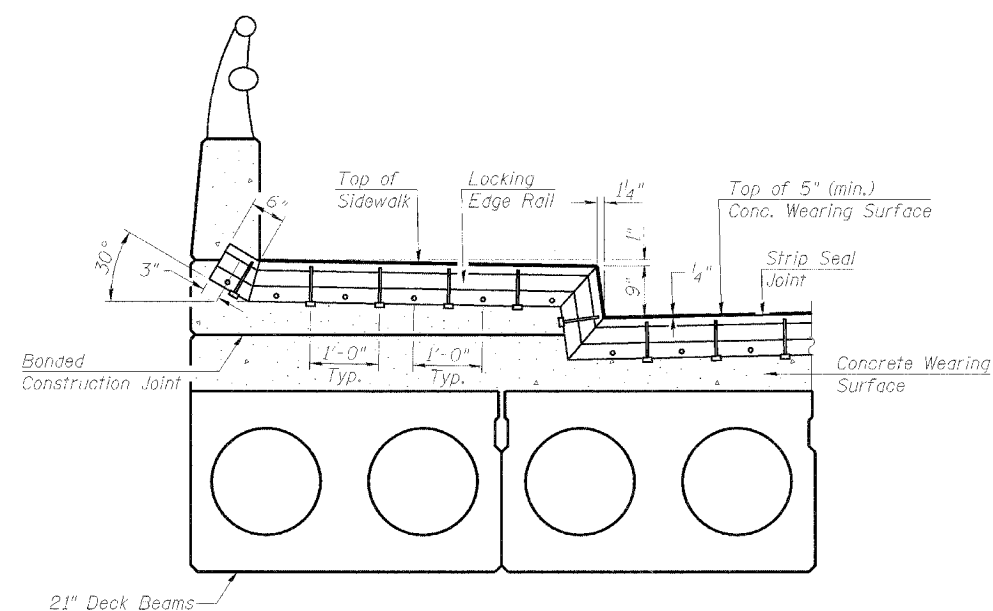


PLAN

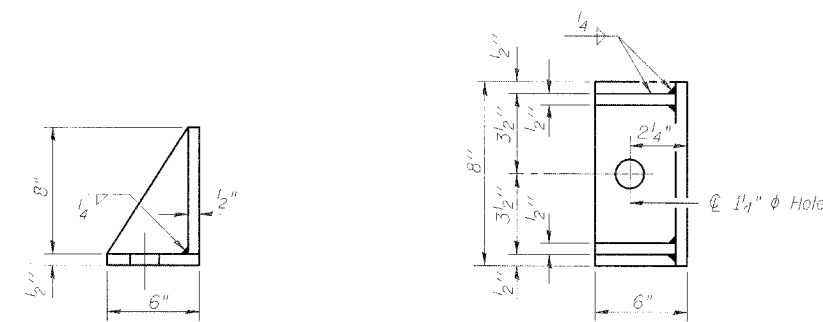


SECTION AA

PERMANENT AND TEMPORARY RETAINER ANGLES



STRIP SEAL DETAIL AT SIDEWALK



RETAINER ANGLE
Equivalent rolled angle with stiffeners will be allowed in lieu of welded plates.

NOTES

- The strip seal shall be made continuous and shall have a minimum thickness of 1/4". The configuration of the strip seal shall match the configuration of the Locking Edge Rails.
- The height and thickness of the Locking Edge Rails shown are minimum dimensions. The actual configuration of the Locking Edge Rails and matching strip seal may vary from manufacturer to manufacturer. Flanged edge rails will not be allowed.
- The inside of the Locking Edge Rail groove shall be free of weld residuo.
- Locking Edge Rails may be spliced at slope discontinuities and stage construction joints.
- The manufacturer's recommended installation methods shall be followed.
- Fabricate in sections to fit Stage Construction.

DESIGNED	LLV
CHECKED	DDB
DRAWN	MGM
CHECKED	LLV

STRIP SEAL JOINT DETAILS
F.A.U. 3887 (IL 31)
OVER MILL CREEK
SECTION AR-B
KANE COUNTY STA. 187+31.80
STRUCTURE NO. 045-0020

STS CONSULTANTS
111 NE Jefferson Ave.
Peoria, Illinois 61602
Ph(309)678-8464
FAX(309)678-5445
IL Design Firm Reg. No. 184-001518