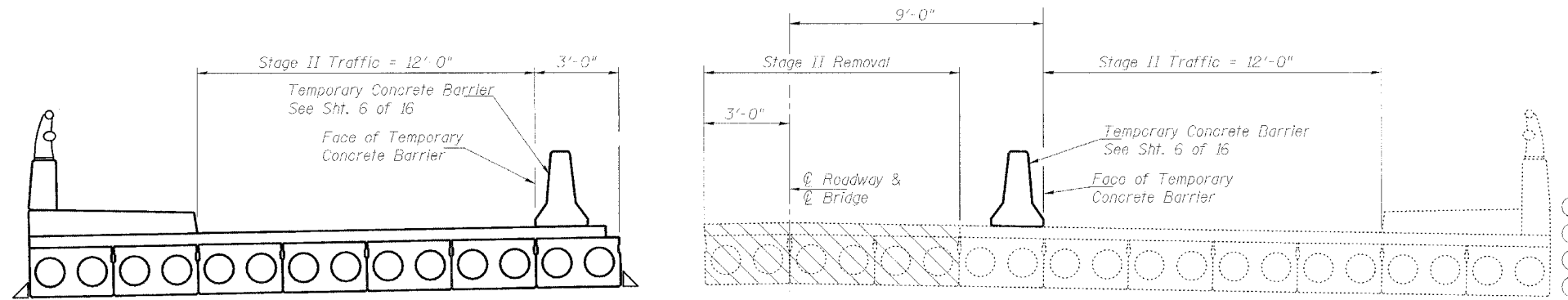


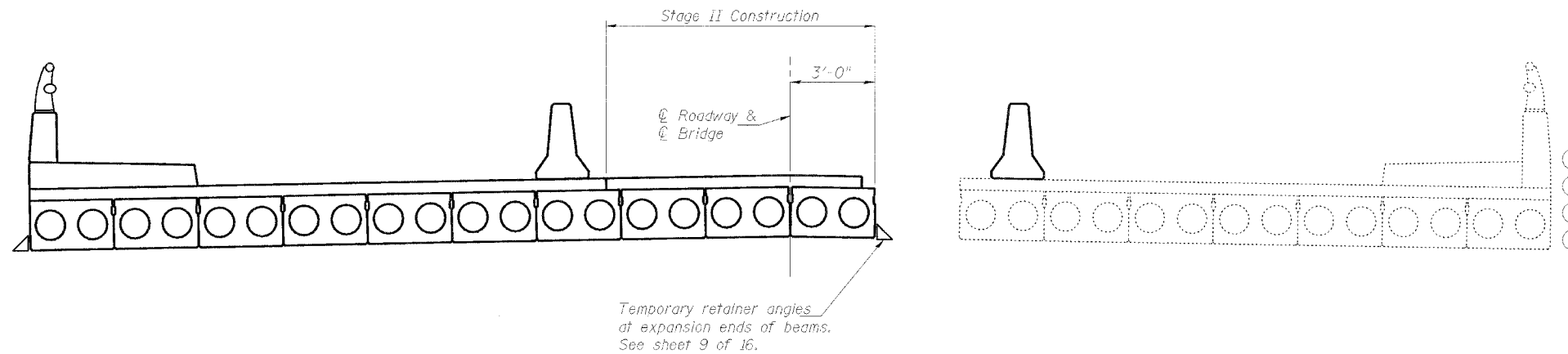
STATE OF ILLINOIS
DEPARTMENT OF TRANSPORTATION

ROUTE NO.	SECTION	COUNTY	TOTAL SHEETS	SHEET NO.	SHEET NO. 4 16 SHEETS
3887	AR-B	KANE	43	20	
FED. ROAD DIST. NO. 7		ILLINOIS	FED. AID PROJECT		

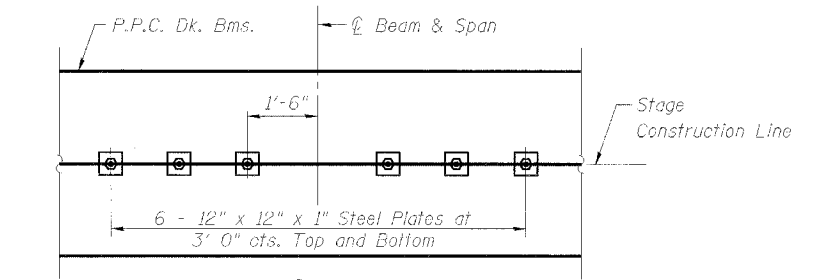
Contract # 60C23



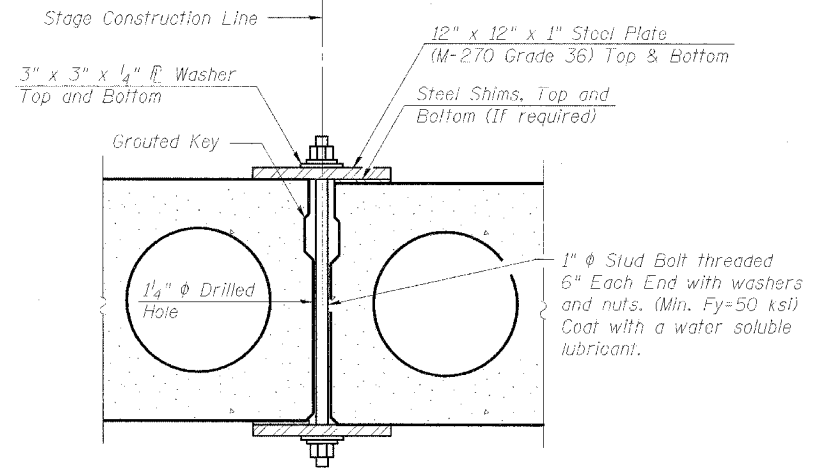
STAGE II REMOVAL



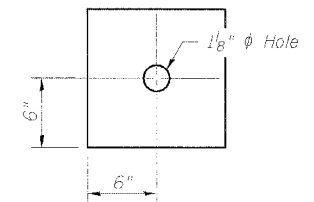
STAGE II CONSTRUCTION



PLAN



SECTION



CLAMPING PLATE

**SHEAR KEY CLAMPING DETAILS
AT STAGE CONST. JT.**

1. See Standard Specifications for Stage Construction of P.P.C. Deck Beams.
2. Cost Included with "Precast Prestressed Concrete Deck Beams".
3. See Stage Construction Details on Roadway Plans for traffic lanes.

Notes:
All staging cross sections are looking south.
For quantity of Temporary Concrete Barrier see roadway plans.
Hatched area indicates Removal of Existing Superstructures.

DESIGNED	LLV
CHECKED	DDB
DRAWN	MCM
CHECKED	LLV

**STAGE II CONSTRUCTION
F.A.U. 3887 (IL 31)
OVER MILL CREEK
SECTION AR-B
KANE COUNTY STA. 187+31.80
STRUCTURE NO. 045-0020**

STS CONSULTANTS
111 NE Jefferson Ave.
Peoria, Illinois 61602
Ph(309)676-8464
FAX(309)676-5445
II, Design Firm Reg. No. 184-001518