

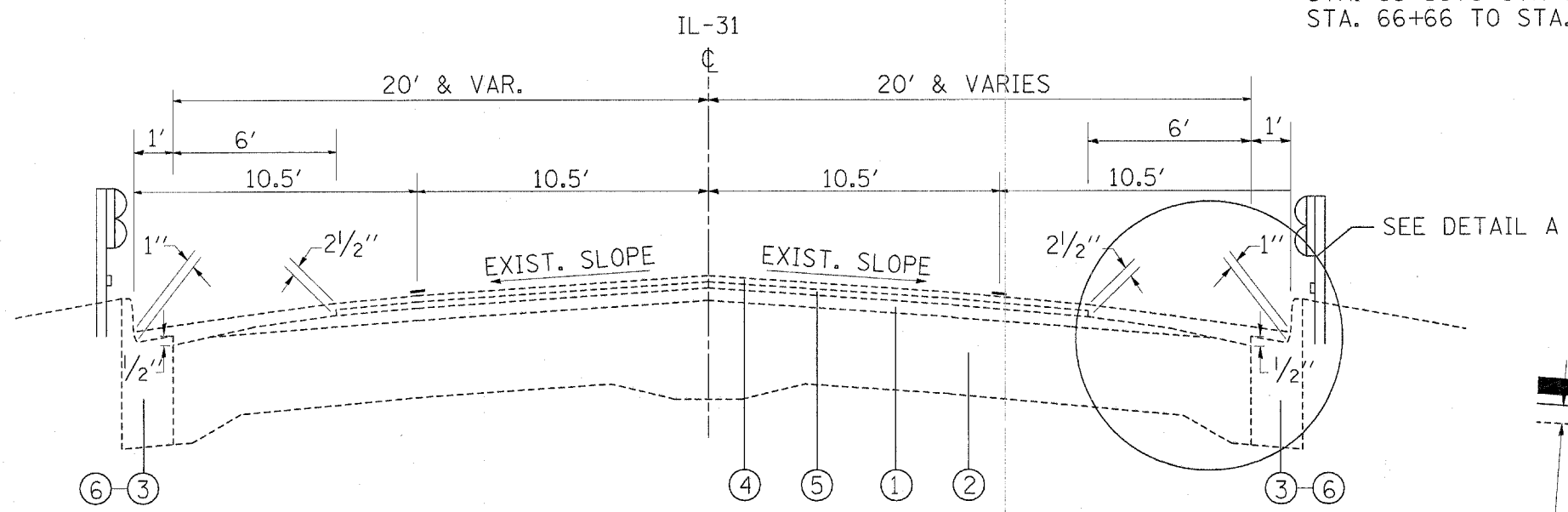
IL. RTE. 31
EXISTING TYPICAL CROSS SECTION
STA. 51+10 TO STA. 66+23

LEGEND

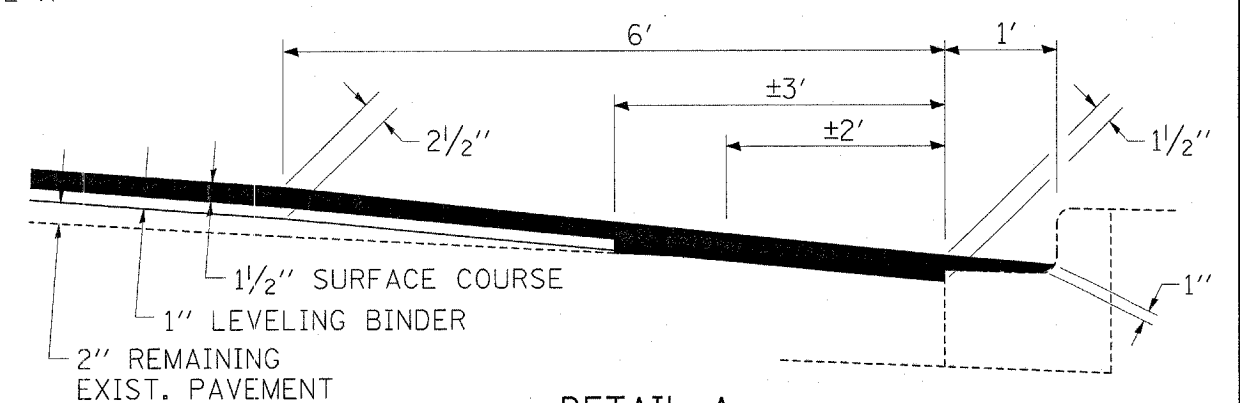
- ① EXISTING HMA SURFACING, 4-1/2" (±)
- ② EXISTING P.C. PAVEMENT
- ③ EXISTING COMBINATION CONCRETE CURB & GUTTER, B-6.12
- ④ EXISTING HMA SURFACE COURSE, MIX "D", N70, 1-1/2"
- ⑤ EXISTING LEVELING BINDER (MACHINE METHOD), N70, 1"
- ⑥ EXISTING GUTTER FLAG OVELAYED WITH HMA SURFACE, 1"

PROPOSED GUARDRAIL :
 STA. 65+62 TO STA 66+23
 STA. 66+66 TO STA. 67+87
 PROP. COMB. C & G TY M-4.12:
 STA. 66+84 TO STA 68+41
 PROP. PCC SIDEWALK:
 STA. 65+74 TO STA 66+23
 STA. 66+66 TO STA. 67+04

PROPOSED GUARDRAIL:
 STA. 65+02 TO STA 66+23
 STA. 66+66 TO STA. 67+26
 PROP. COMB. C & G TY M-4.12 :
 STA. 64+53 TO STA 66+13
 PROP. PCC SIDEWALK:
 STA. 65+86 TO STA 66+23
 STA. 66+66 TO STA. 67+04



IL. RTE. 31
EXISTING TYPICAL CROSS SECTION
STA. 66+66 TO STA. 163+65



DETAIL A
NOT TO SCALE

FILE NAME =	USER NAME = gelbobb	DESIGNED -	REVISED -
c:\projects\dl18207\design\aa.dgn		DRAWN -	REVISED -
		CHECKED -	REVISED -
		DATE -	REVISED -

STATE OF ILLINOIS
DEPARTMENT OF TRANSPORTATION

ILLINOIS 31 (LINCOLN HIGHWAY)		F.A. RTE. 3887	SECTION AR-B	COUNTY KANE	TOTAL SHEETS 43	SHEET NO. 5
SCALE: NONE	SHEET NO. OF SHEETS	STA.	TO STA.	CONTRACT NO. 60C23		

FED. ROAD DIST. NO. 1 ILLINOIS FED. AID PROJECT						
---	--	--	--	--	--	--