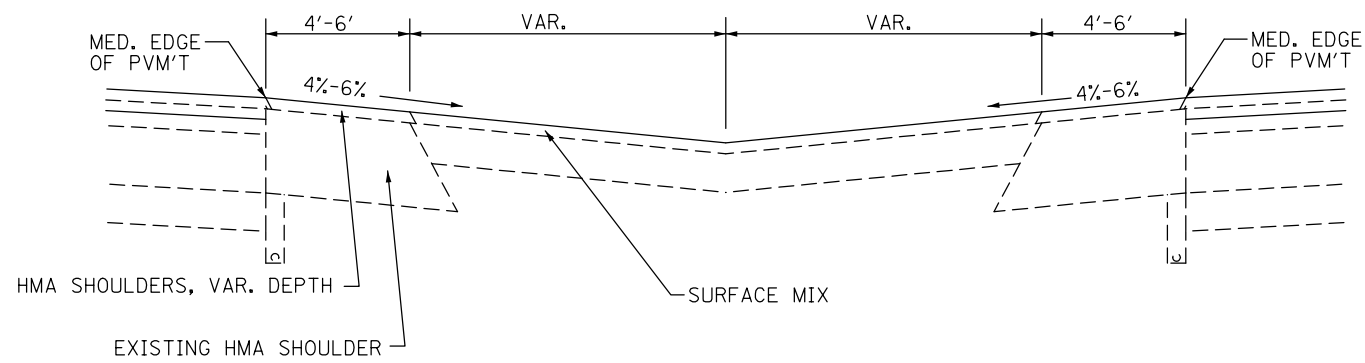
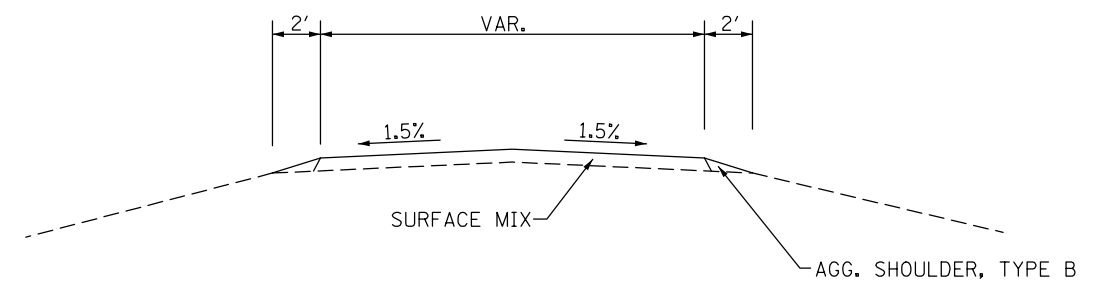


DETAIL OF EXISTING MEDIAN CROSSOVER



SECTION A-A



SECTION B-B

FILE NAME =	USER NAME = conoverpj	DESIGNED -	REVISED -
et:\pwork\pwork\conoverpj\d0340760\d076g38-sht-details.dgn		DRAWN -	REVISED -
	PLOT SCALE = 100.0000' / 1in.	CHECKED -	REVISED -
	PLOT DATE = 10/18/2013	DATE -	REVISED -

STATE OF ILLINOIS
DEPARTMENT OF TRANSPORTATION

MEDIAN CROSSOVER DETAILS

SCALE: SHEET NO. 1 OF 1 SHEETS STA. TO STA.

F.A.P. RTE.	SECTION	COUNTY	TOTAL SHEETS	SHEET NO.
103	(29-1,28-1,28-2,26-1)RS-2	ST. CLAIR	97	95
FED. ROAD DIST. NO. ILLINOIS FED. AID PROJECT			CONTRACT NO. 76G38	