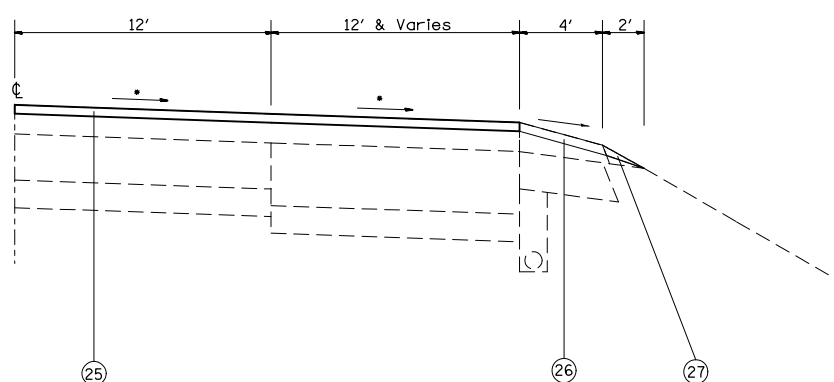


HALF SECTION (TURN LANE VICINITY)  
74TH STREET (WESTFIELD PLAZA BLVD.)  
• MATCH EXISTING SLOPE



HALF SECTION (TURN LANE VICINITY)  
11TH STREET  
• MATCH EXISTING SLOPE

- LEGEND**
- ① EXISTING SUB-BASE GRANULAR MATERIAL, VARIES 4" TO 12"
  - ② EXISTING BASE COURSE, 13.5"
  - ③ EXISTING LIME MODIFIED SOIL, 12"
  - ④ EXISTING PCC PAVEMENT
  - ⑤ OMIT
  - ⑥ EXISTING PCC JOINTED PAVEMENT, 14"
  - ⑦ EXISTING PCC BASE COURSE WIDENING, 9"
  - ⑧ EXISTING WIDENING
  - ⑨ EXISTING HMA PAVEMENT (FULL DEPTH)
  - ⑩ EXISTING HMA RESURFACING, 6" TO 7.5"
  - ⑪ EXISTING HMA RESURFACING
  - ⑫ EXISTING HMA BINDER COURSE, 12"
  - ⑬ EXISTING HMA SHOULDER
  - ⑭ EXISTING HMA SHOULDER RESURFACING, VAR. DEPTH
  - ⑮ EXISTING CONCRETE MEDIAN
  - ⑯ EXISTING CONCRETE CURB, SPECIAL, 12"
  - ⑰ EXISTING CONCRETE CURB
  - ⑱ EXISTING PCC MEDIAN SURFACE, 4"
  - ⑲ EXISTING CONCRETE BARRIER
  - ⑳ EXISTING HMA SHOULDER CURB
  - ㉑ EXISTING CONCRETE GUTTER
  - ㉒ EXISTING CONCRETE CURB & GUTTER
  - ㉓ EXISTING PIPE UNDERDRAINS
  - ㉔ EXISTING AGGREGATE SHOULDERS
  - ㉕ PROPOSED POLYMER HMA SURFACE COURSE, MIX E, N90, 2 1/4"
  - ㉖ PROPOSED HMA SHOULDERS, 2 1/4"
  - ㉗ PROPOSED AGGREGATE SHOULDER WEDGE, TYPE B
  - ㉘ PROPOSED HMA SHOULDER CURB

FILE NAME =	USER NAME = conoverpj	DESIGNED -	REVISED -	<b>STATE OF ILLINOIS DEPARTMENT OF TRANSPORTATION</b>	<b>PROPOSED TYPICAL SECTIONS</b>			F.A.P. RTE.	SECTION	COUNTY	TOTAL SHEETS	SHEET NO.
et:\pw\work\p\dot\conoverpj\d0340760\d076g38-sh-typ10a1.dgn	PLOT SCALE = 100.0000' / in.	DRAWN -	REVISED -					103	(29-1,28-1,28-2,26-1)RS-2	ST. CLAIR	97	28
	PLOT DATE = 10/18/2013	CHECKED -	REVISED -		CONTRACT NO. 76G38							
		DATE -	REVISED -		SCALE:	SHEET NO. 9 OF 13 SHEETS	STA.	TO STA.	FED. ROAD DIST. NO.	ILLINOIS FED. AID PROJECT		