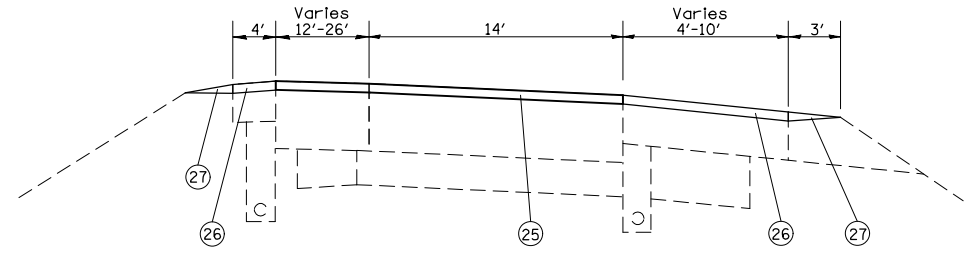
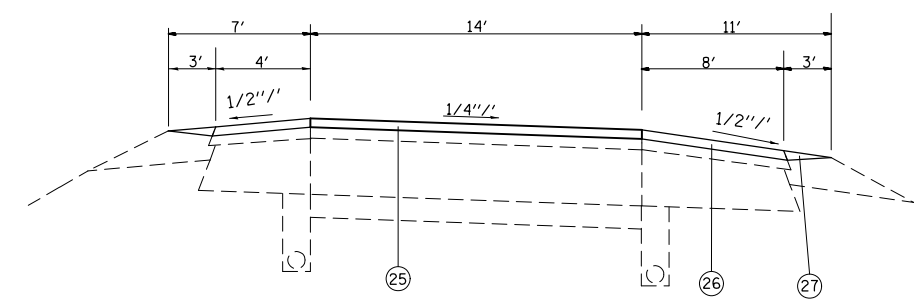


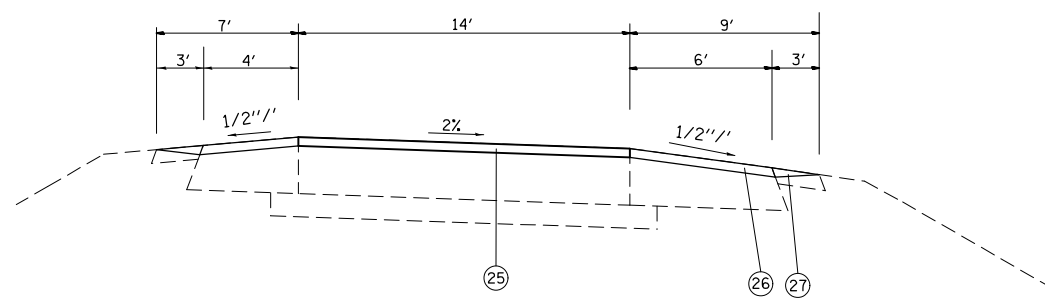
IL 158 EB ENTR.
IL 158 EB EXIT



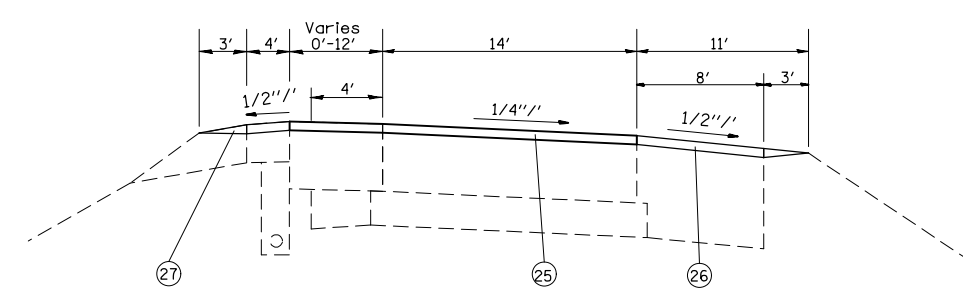
IL 159 (RAMP 2)
STA. 16+02.5 TO STA. 17+00 LT.
STA. 15+77 TO STA. 21+60 RT.



IL 159 (RAMP 2)
STA. 0+00 TO STA. 12+30



IL 159 (RAMP 4)



IL 159 (RAMP 2)
STA. 12+30 TO STA. 16+02.50 LT.
STA. 12+30 TO STA. 15+77 RT.

- LEGEND**
- ① EXISTING SUB-BASE GRANULAR MATERIAL, VARIES 4" TO 12"
 - ② EXISTING BASE COURSE, 13.5"
 - ③ EXISTING LIME MODIFIED SOIL, 12"
 - ④ EXISTING PCC PAVEMENT
 - ⑤ OMIT
 - ⑥ EXISTING PCC JOINTED PAVEMENT, 14"
 - ⑦ EXISTING PCC BASE COURSE WIDENING, 9"
 - ⑧ EXISTING WIDENING
 - ⑨ EXISTING HMA PAVEMENT (FULL DEPTH)
 - ⑩ EXISTING HMA RESURFACING, 6" TO 7.5"
 - ⑪ EXISTING HMA RESURFACING
 - ⑫ EXISTING HMA BINDER COURSE, 12"
 - ⑬ EXISTING HMA SHOULDER
 - ⑭ EXISTING HMA SHOULDER RESURFACING, VAR. DEPTH
 - ⑮ EXISTING CONCRETE MEDIAN
 - ⑯ EXISTING CONCRETE CURB, SPECIAL, 12"
 - ⑰ EXISTING CONCRETE CURB
 - ⑱ EXISTING PCC MEDIAN SURFACE, 4"
 - ⑲ EXISTING CONCRETE BARRIER
 - ⑳ EXISTING HMA SHOULDER CURB
 - ㉑ EXISTING CONCRETE GUTTER
 - ㉒ EXISTING CONCRETE CURB & GUTTER
 - ㉓ EXISTING PIPE UNDERDRAINS
 - ㉔ EXISTING AGGREGATE SHOULDERS
 - ㉕ PROPOSED POLYMER HMA SURFACE COURSE, MIX E, N90, 2 1/4"
 - ㉖ PROPOSED HMA SHOULDERS, 2 1/4"
 - ㉗ PROPOSED AGGREGATE SHOULDER WEDGE, TYPE B
 - ㉘ PROPOSED HMA SHOULDER CURB

FILE NAME =	USER NAME = conoverpj	DESIGNED -	REVISED -	STATE OF ILLINOIS DEPARTMENT OF TRANSPORTATION	PROPOSED TYPICAL SECTIONS			F.A.P. RTE.	SECTION	COUNTY	TOTAL SHEETS	SHEET NO.
et:\pw\work\p1dot\conoverpj\d0340733\d076g37-sh-typical.dgn	PLOT SCALE = 100.0000' / 1in.	DRAWN -	REVISED -					103	(29-1,28-1,28-2,26-1)RS-1	ST. CLAIR	96	33
	PLOT DATE = 10/18/2013	CHECKED -	REVISED -		SCALE: SHEET NO. 14 OF 14 SHEETS STA. TO STA.			CONTRACT NO. 76G37				
		DATE -	REVISED -					FED. ROAD DIST. NO. ILLINOIS FED. AID PROJECT				