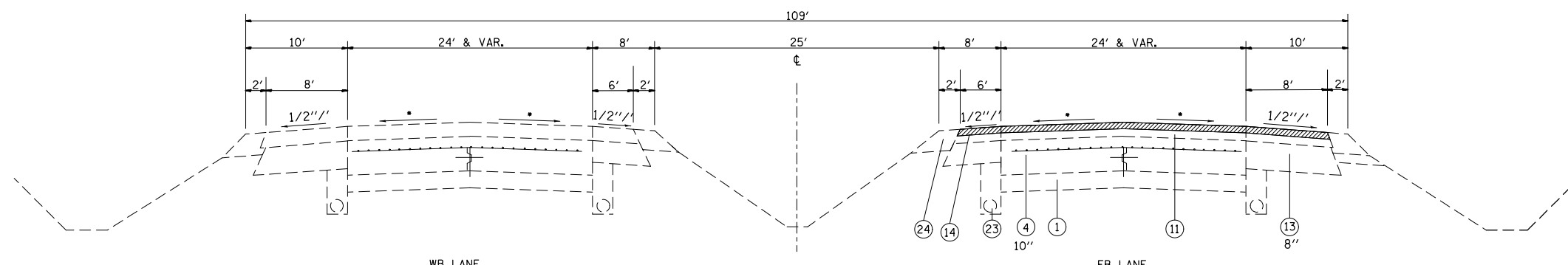


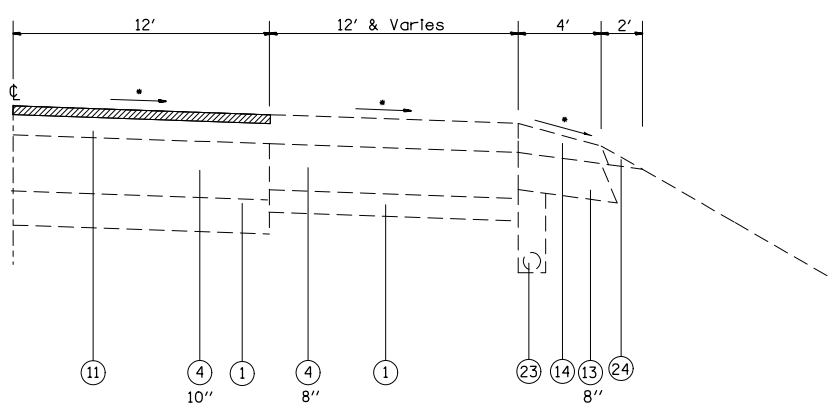
STA. 377+58.81 TO STA. 389+02.77
 STA. 541+58.93 TO STA. 559+98.92

• MATCH EXISTING SLOPE



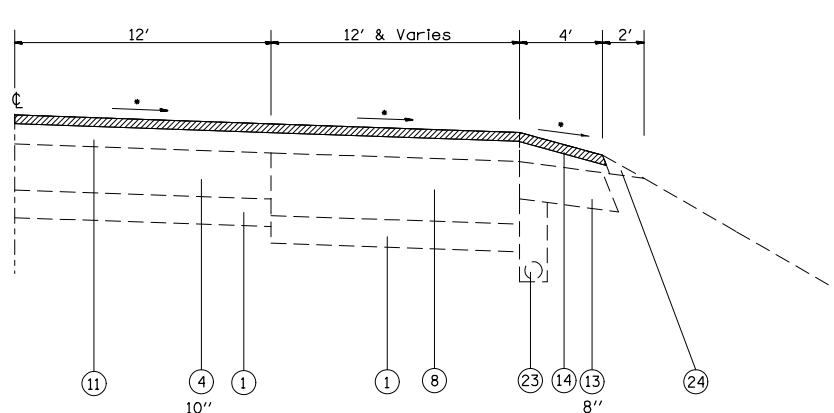
STA. 424+20 TO STA. 479+75.38

• MATCH EXISTING SLOPE



HALF SECTION (TURN LANE VICINITY)
 ALLSUP DRIVE
 74TH STREET (WESTFIELD PLAZA BLVD.)

• MATCH EXISTING SLOPE



HALF SECTION (TURN LANE VICINITY)
 11TH STREET

• MATCH EXISTING SLOPE

LEGEND

- ① EXISTING SUB-BASE GRANULAR MATERIAL, VARIES 4" TO 12"
- ② EXISTING BASE COURSE, 13.5"
- ③ EXISTING LIME MODIFIED SOIL, 12"
- ④ EXISTING PCC PAVEMENT
- ⑤ OMIT
- ⑥ EXISTING PCC JOINTED PAVEMENT, 14"
- ⑦ EXISTING PCC BASE COURSE WIDENING, 9"
- ⑧ EXISTING WIDENING
- ⑨ EXISTING HMA PAVEMENT (FULL DEPTH)
- ⑩ EXISTING HMA RESURFACING, 6" TO 7.5"
- ⑪ EXISTING HMA RESURFACING
- ⑫ EXISTING HMA BINDER COURSE, 12"
- ⑬ EXISTING HMA SHOULDER
- ⑭ EXISTING HMA SHOULDER RESURFACING, VAR. DEPTH
- ⑮ EXISTING CONCRETE MEDIAN
- ⑯ EXISTING CONCRETE CURB, SPECIAL, 12"
- ⑰ EXISTING CONCRETE CURB
- ⑱ EXISTING PCC MEDIAN SURFACE, 4"
- ⑲ EXISTING CONCRETE BARRIER
- ⑳ EXISTING HMA SHOULDER CURB
- ㉑ EXISTING CONCRETE GUTTER
- ㉒ EXISTING CONCRETE CURB & GUTTER
- ㉓ EXISTING PIPE UNDERDRAINS
- ㉔ EXISTING AGGREGATE SHOULDERS
- ㉕ PROPOSED POLYMER HMA SURFACE COURSE, MIX E, N90, 2 1/4"
- ㉖ PROPOSED HMA SHOULDERS, 2 1/4"
- ㉗ PROPOSED AGGREGATE SHOULDER WEDGE, TYPE B
- ㉘ PROPOSED HMA SHOULDER CURB

- HMA CURB REMOVAL
- ▨ HMA SURFACE REMOVAL, 2"
- ▨ HMA SURFACE REMOVAL, 2.25"

SEE PLAN SHEETS FOR AREAS OF MILLING TRANSITIONS.

FILE NAME =	USER NAME = conoverpj	DESIGNED -	REVISED -	STATE OF ILLINOIS DEPARTMENT OF TRANSPORTATION	EXISTING TYPICAL SECTIONS			F.A.P. RTE.	SECTION	COUNTY	TOTAL SHEETS	SHEET NO.
et:\pw\work\p\dot\conoverpj\d0340733\d076g37-sh-typical.dgn		DRAWN -	REVISED -		103	(29-1,28-1,28-2,26-1)RS-1	ST. CLAIR	96	14			
PLOT SCALE = 100.0000' / 1in.		CHECKED -	REVISED -		CONTRACT NO. 76G37							
PLOT DATE = 10/18/2013		DATE -	REVISED -		SCALE:	SHEET NO. 9 OF 14 SHEETS	STA.	TO STA.	FED. ROAD DIST. NO.	ILLINOIS FED. AID PROJECT		