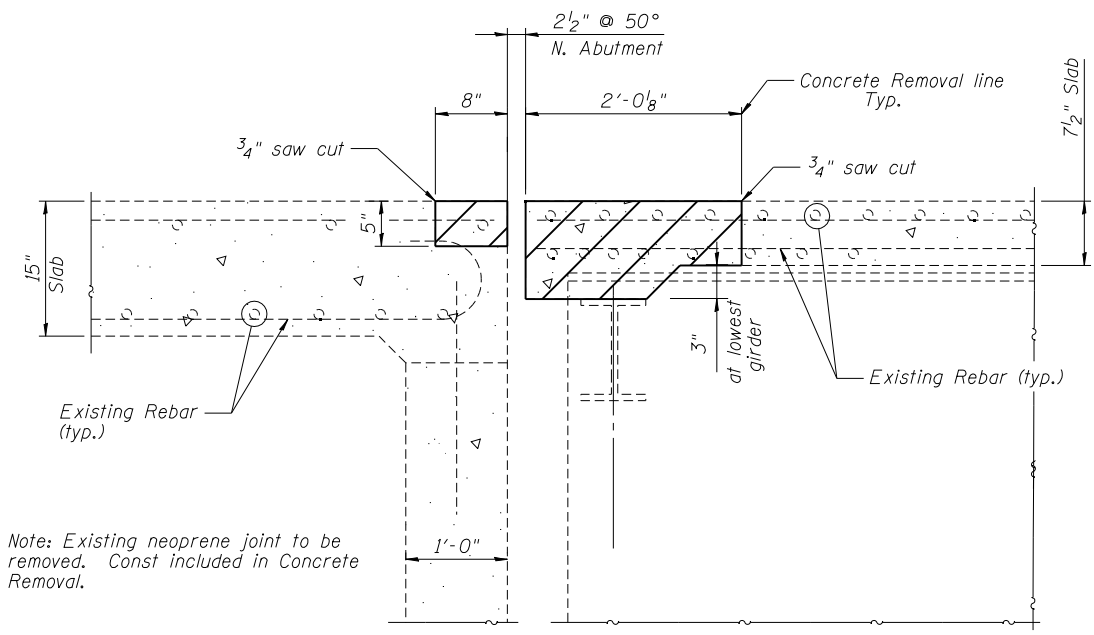


SECTION D-D THRU BRIDGE PARAPET

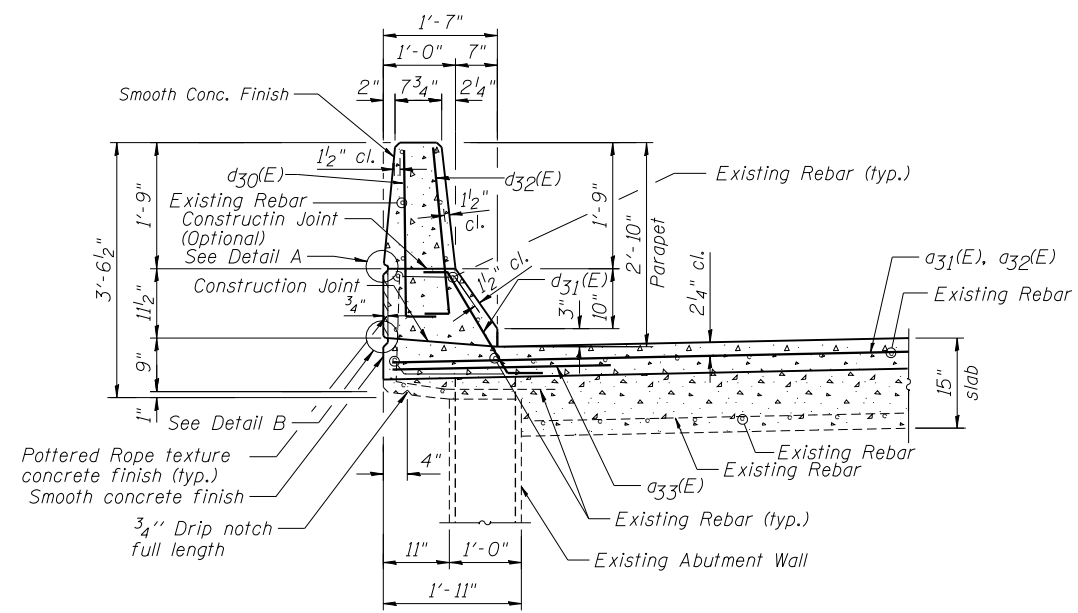


SECTION A-A  
CONCRETE REMOVAL DETAIL

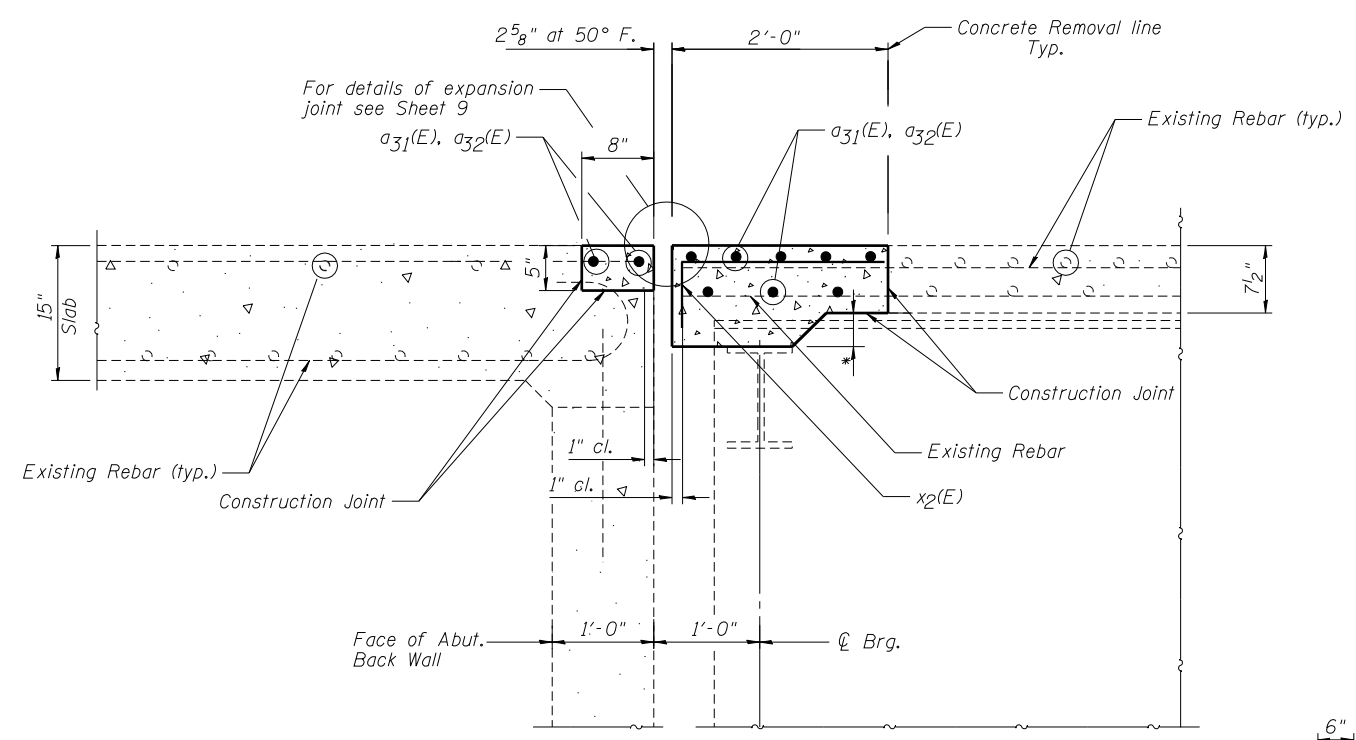
**NORTH ABUTMENT  
BILL OF MATERIAL**

Bar	No.	Size	Length	Shape
a30(E)	6	#6	5'-0"	—
a31(E)	11	#5	22'-2"	—
a32(E)	11	#5	18'-2"	—
a33(E)	4	#6	4'-0"	—
d30(E)	10	#4	3'-0"	L
d31(E)	10	#5	2'-7"	L
d32(E)	10	#5	3'-0"	L
d33(E)	6	#4	4'-5"	L
x2(E)	39	#6	2'-4"	┌
Item		Unit	Quantity	
Reinforcement Bars, Epoxy Coated		Pound	760	
Bar Splicers		Each	11	

Note: Existing neoprene joint to be removed. Const included in Concrete Removal.

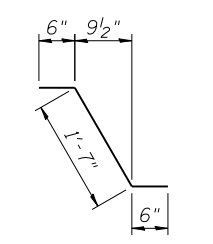


SECTION C-C THRU ABUTMENT PARAPET

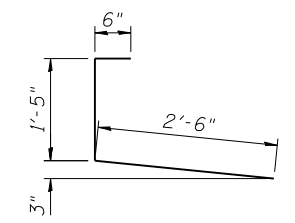


SECTION B-B  
CONCRETE REPLACEMENT DETAIL

BAR d30(E) & d32(E)



BAR d31(E)



BAR d33(E)

4/15/2013 8:51:12 AM C:\Users\sdgn\OneDrive\Documents\Projects\0600243-76F10-07-Deck\_Joint\_Details.dgn

FILE NAME = #FILES#



USER NAME = sdgn	DESIGNED - SDG	REVISED -
PLOT SCALE = #SCALE#	CHECKED - FAS	REVISED -
PLOT DATE = 4/15/2013	DRAWN - DMG	REVISED -
	CHECKED - SDG	REVISED -

**STATE OF ILLINOIS  
DEPARTMENT OF TRANSPORTATION**

**DECK JOINT DETAILS  
STRUCTURE NO. 060-0243 SB**

SHEET NO. 7 OF 10 SHEETS

F.A.I. RTE.	SECTION	COUNTY	TOTAL SHEETS	SHEET NO.
255	60-(8,9) RS-1	MADISON	206	203
			CONTRACT NO. 76F10	
ILLINOIS FED. AID PROJECT				