

4/15/2013 8:51:12 AM C:\Users\sdgn\OneDrive\Documents\Bridges\CAD\Drawings\0224\0600224-76F10-08-Deck Joint Details.dgn

FILE NAME = #FILES#



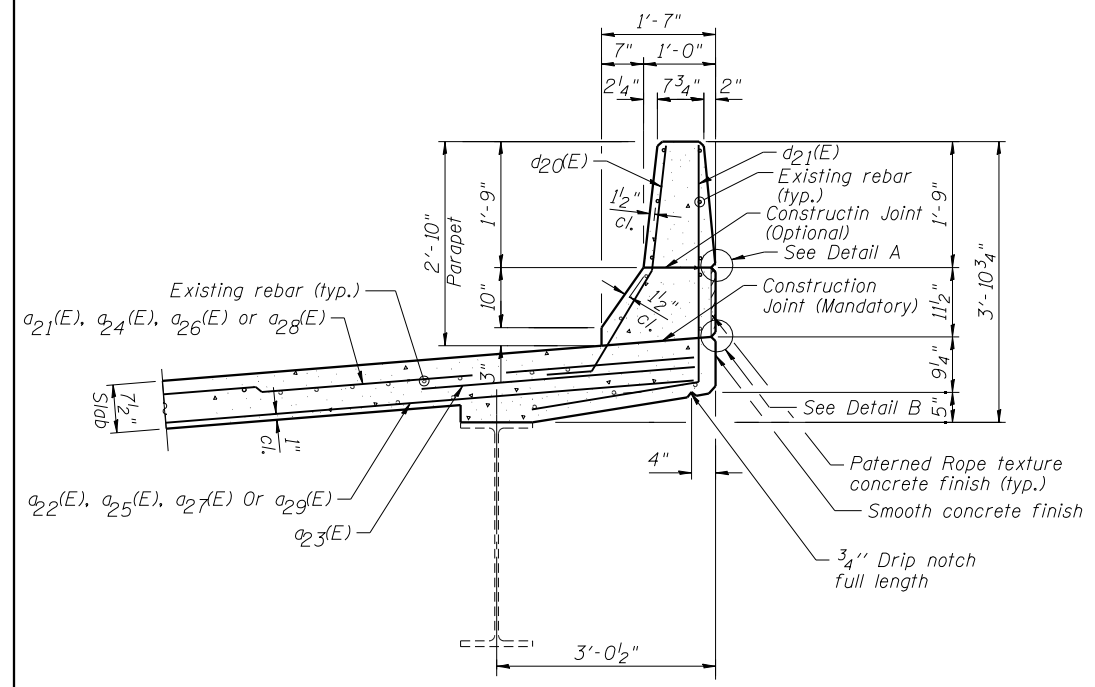
USER NAME = sdgn	DESIGNED - SDG	REVISED -
PLOT SCALE = #SCALE#	CHECKED - FAS	REVISED -
PLOT DATE = 4/15/2013	DRAWN - DMG	REVISED -
	CHECKED - SDG	REVISED -

**STATE OF ILLINOIS
DEPARTMENT OF TRANSPORTATION**

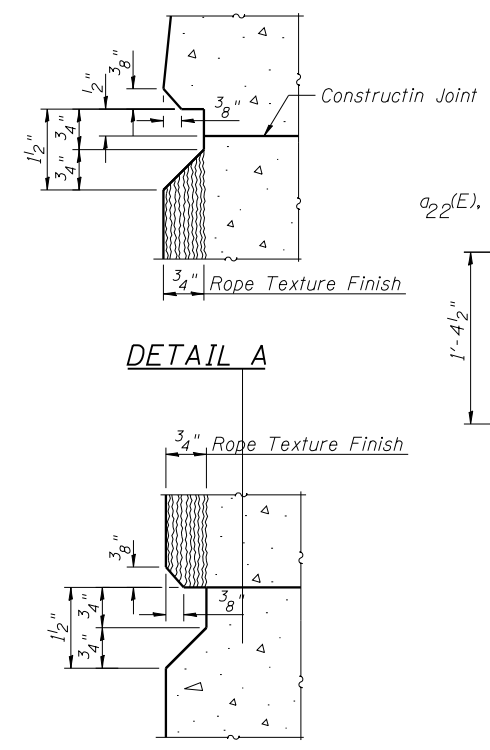
**DECK JOINT DETAILS
STRUCTURE NO. 060-0224NB**

SHEET NO. 8 OF 13 SHEETS

F.A.I. RTE.	SECTION	COUNTY	TOTAL SHEETS	SHEET NO.
255	60-(8,9) RS-1	MADISON	206	191
CONTRACT NO. 76F10			ILLINOIS FED. AID PROJECT	

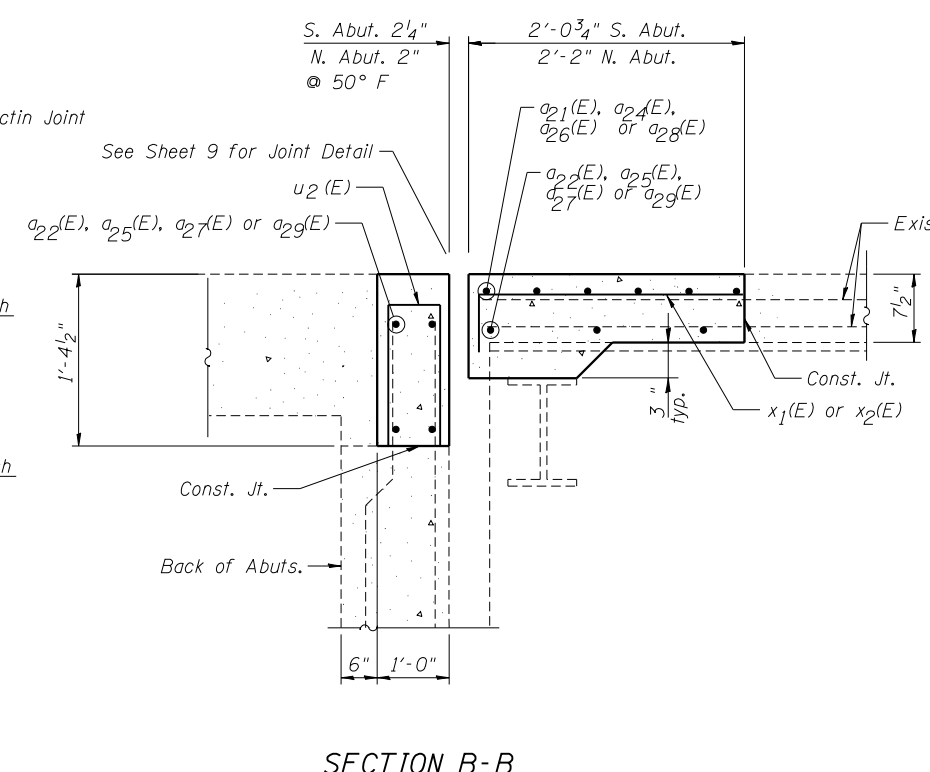


**SECTION D-D
SECTION THRU PARPET**

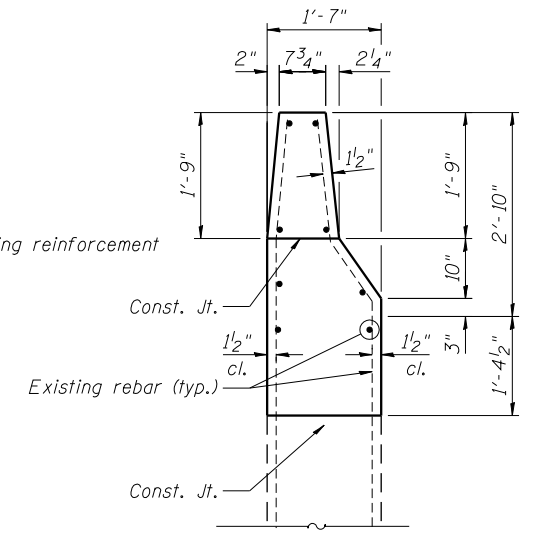


DETAIL A

DETAIL B



**SECTION B-B
CONCRETE REPLACEMENT DETAIL**



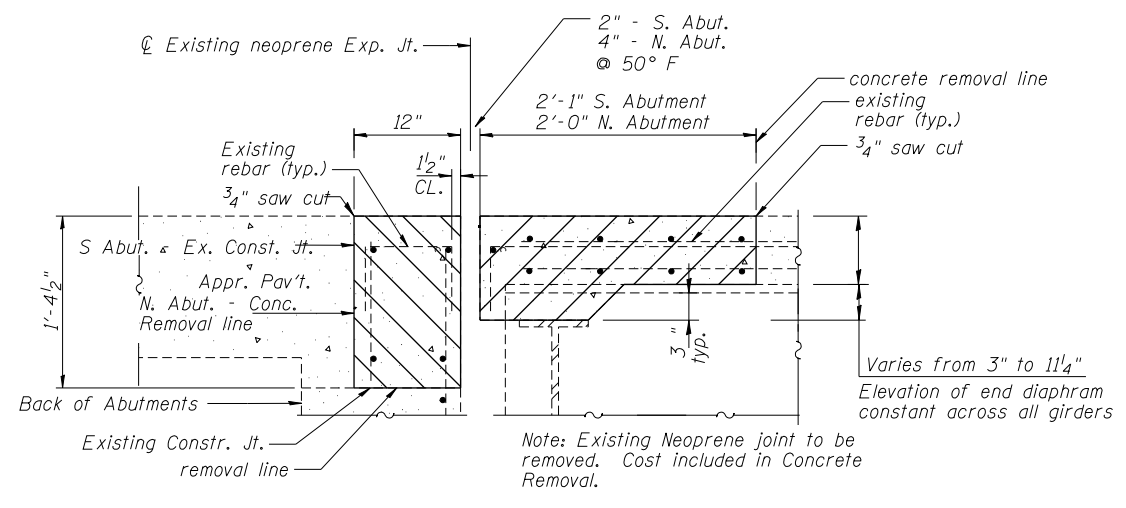
**SECTION C-C
SECTION THRU WINGWALL**

**SOUTH ABUTMENT
BILL OF MATERIAL**

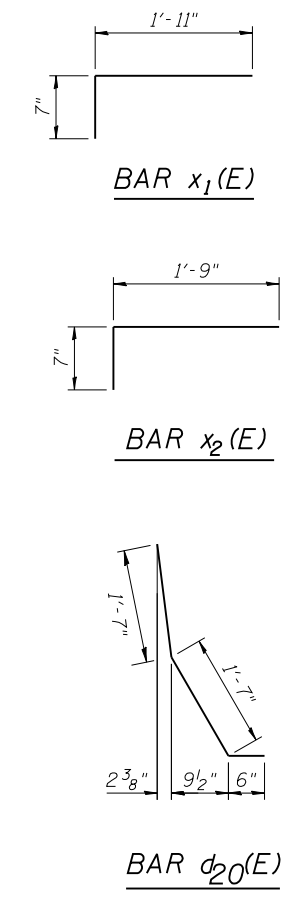
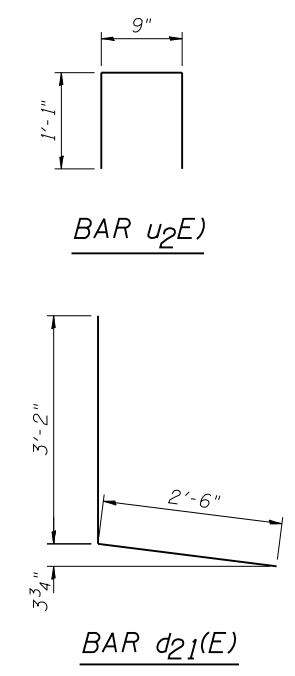
Bar	No.	Size	Length	Shape
a23(E)	6	#6	4'-0"	—
a26(E)	5	#5	21'-9"	—
a27(E)	8	#5	20'-9"	—
a28(E)	5	#5	20'-3"	—
a29(E)	8	#5	19'-3"	—
d20(E)	6	#4	3'-8"	L
d21(E)	6	#5	5'-8"	L
u2(E)	41	#5	2'-11"	□
x2(E)	41	#6	2'-4"	□
Item		Unit	Quantity	
Reinforcement Bars, Epoxy Coated		Pound	910	
Bar Splicers		Each	13	

**NORTH ABUTMENT
BILL OF MATERIAL**

Bar	No.	Size	Length	Shape
a21(E)	5	#5	21'-6"	—
a22(E)	8	#5	20'-6"	—
a23(E)	6	#6	4'-0"	—
a24(E)	5	#5	20'-0"	—
a25(E)	8	#5	19'-0"	—
d20(E)	6	#4	3'-8"	L
d21(E)	6	#5	5'-8"	L
u2(E)	41	#5	2'-11"	□
x1(E)	41	#6	2'-6"	□
Item		Unit	Quantity	
Reinforcement Bars, Epoxy Coated		Pound	910	
Bar Splicers		Each	13	



**SECTION A-A
CONCRETE REMOVAL DETAIL**



BAR d20(E)