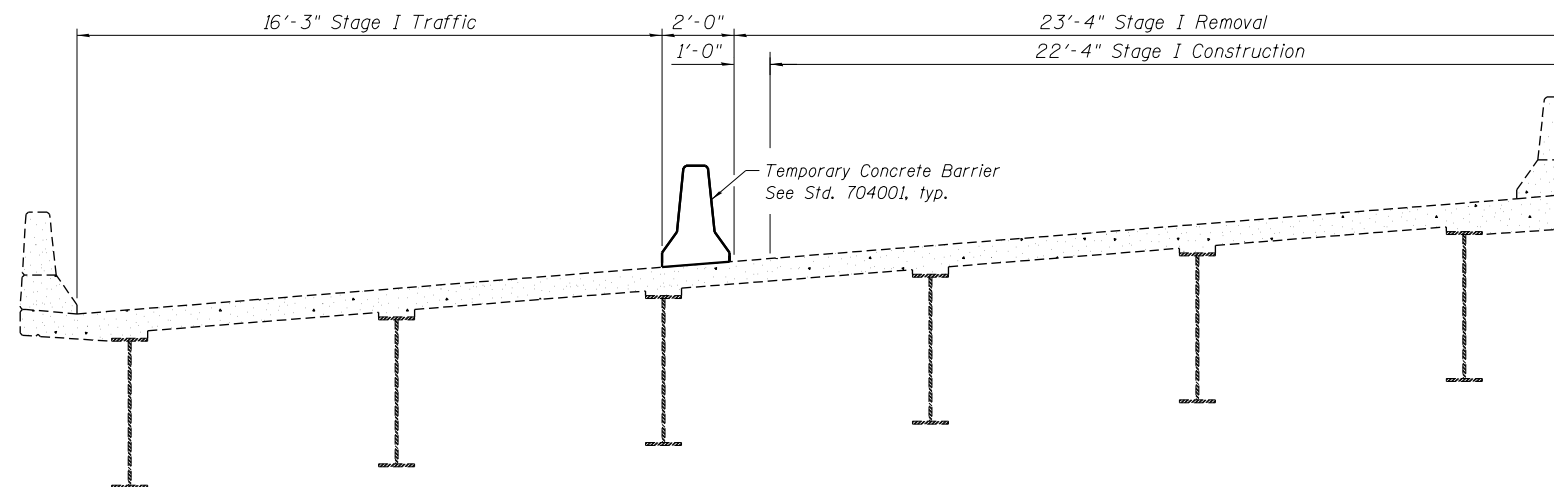
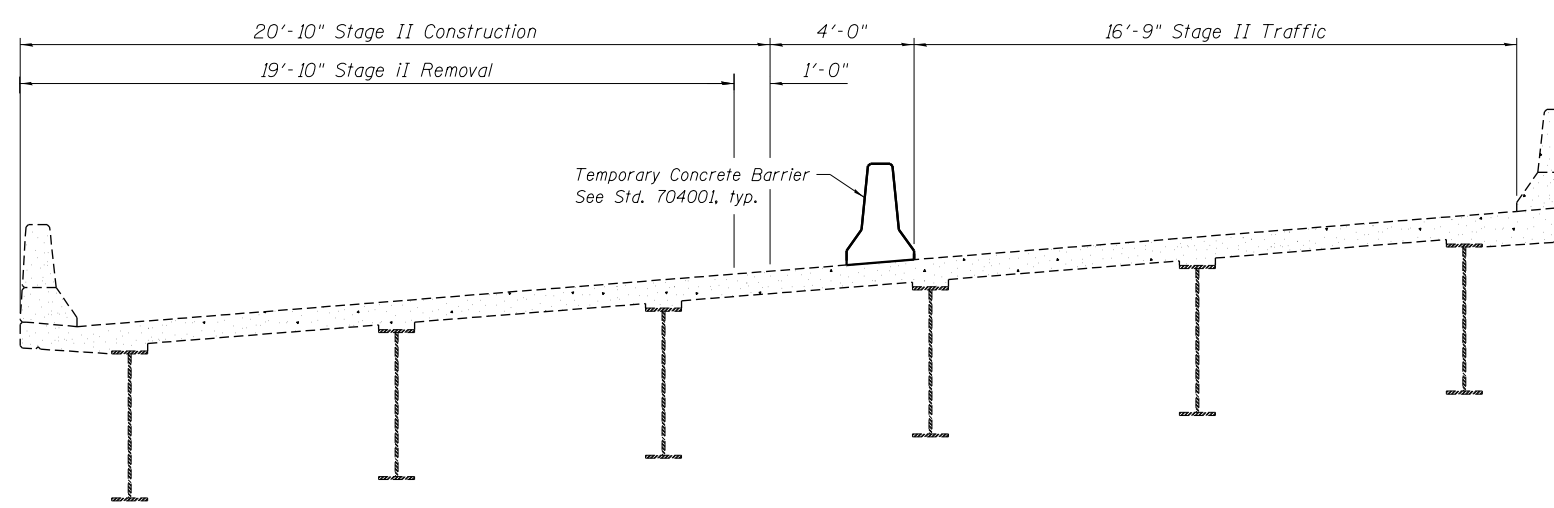


EXISTING CROSS SECTION
NB Roadway Looking North



STAGE I CONSTRUCTION
NB Roadway Looking North



STAGE II CONSTRUCTION
NB Roadway Looking North

3:50:45 PM - G:\S1\2\0001\Bridge\CAD\sheets\Bridge_0224\0600224-76F10-03-Stage_Construction.dgn

FILE NAME = 0600224-76F10-03-Stage_Construction.dgn



USER NAME = gchowley	DESIGNED - WAE	REVISED -
	CHECKED - SDG	REVISED -
PLOT SCALE = 0.2" = 1' / in.	DRAWN - DMG	REVISED -
PLOT DATE = 3/25/2013	CHECKED - SDG	REVISED -

**STATE OF ILLINOIS
DEPARTMENT OF TRANSPORTATION**

**STAGE CONSTRUCTION
STRUCTURE NO. 060-0224 NB**

SHEET NO. 3 OF 13 SHEETS

F.A.I. RTE.	SECTION	COUNTY	TOTAL SHEETS	SHEET NO.
255	60-(8,9) RS-1	MADISON	206	186
				CONTRACT NO. 76F10
ILLINOIS FED. AID PROJECT				