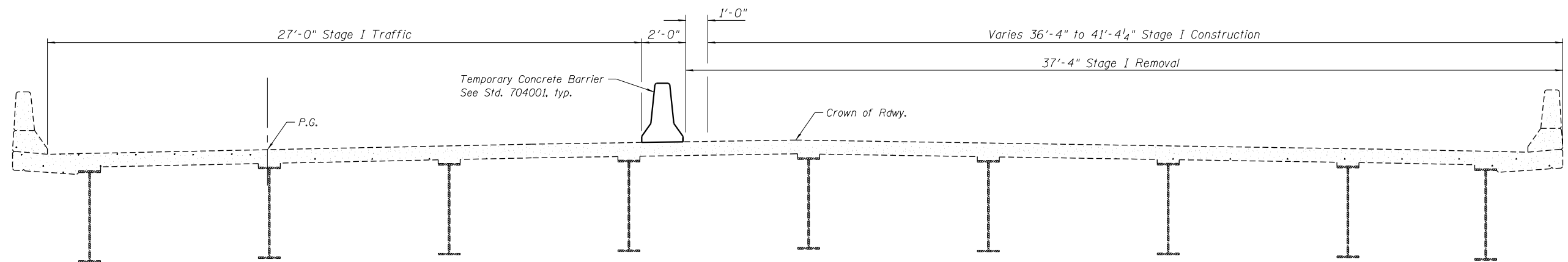
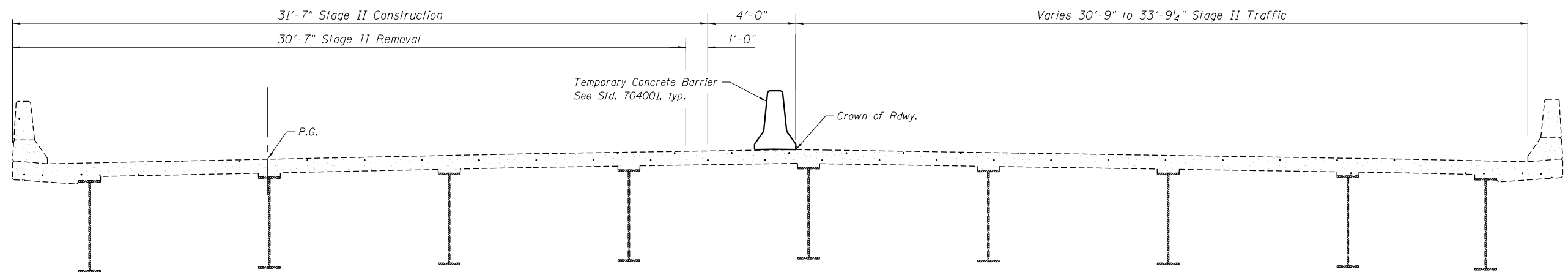


**EXISTING CROSS SECTION**  
NB Roadway Looking North



**STAGE I CONSTRUCTION**  
NB Roadway Looking North



**STAGE II CONSTRUCTION**  
NB Roadway Looking North

3/25/2013 3:42:53 PM - G:\S1\2\000\Bridges\CAD\sheets\Bridges\_0222-0242\0600242-76F10-03-stage construction.dgn

FILE NAME = 0600242-76F10-03-stage construction.dgn



USER NAME = ghowley	DESIGNED - WAE	REVISED -
PLOT SCALE = 0.2' / 1"	CHECKED - SDG	REVISED -
PLOT DATE = 3/25/2013	DRAWN - JD	REVISED -
	CHECKED - SDG	REVISED -

**STATE OF ILLINOIS**  
**DEPARTMENT OF TRANSPORTATION**

**STAGE CONSTRUCTION**  
**STRUCTURE NO. 060-0242 NB**

SHEET NO. 3 OF 14 SHEETS

F.A.I. RTE.	SECTION	COUNTY	TOTAL SHEETS	SHEET NO.
255	60-(8,9) RS-1	MADISON	206	172
CONTRACT NO. 76F10				

ILLINOIS FED. AID PROJECT