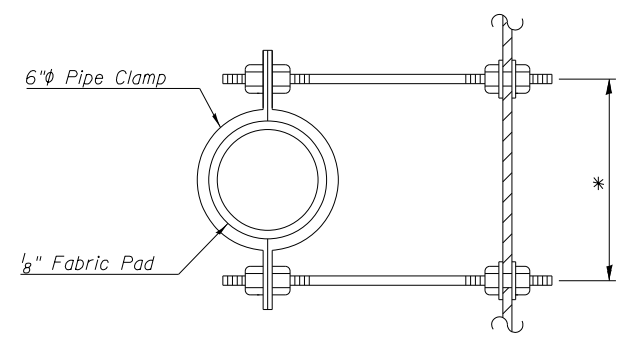
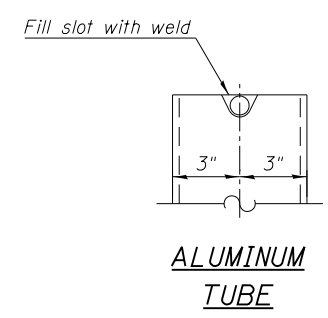
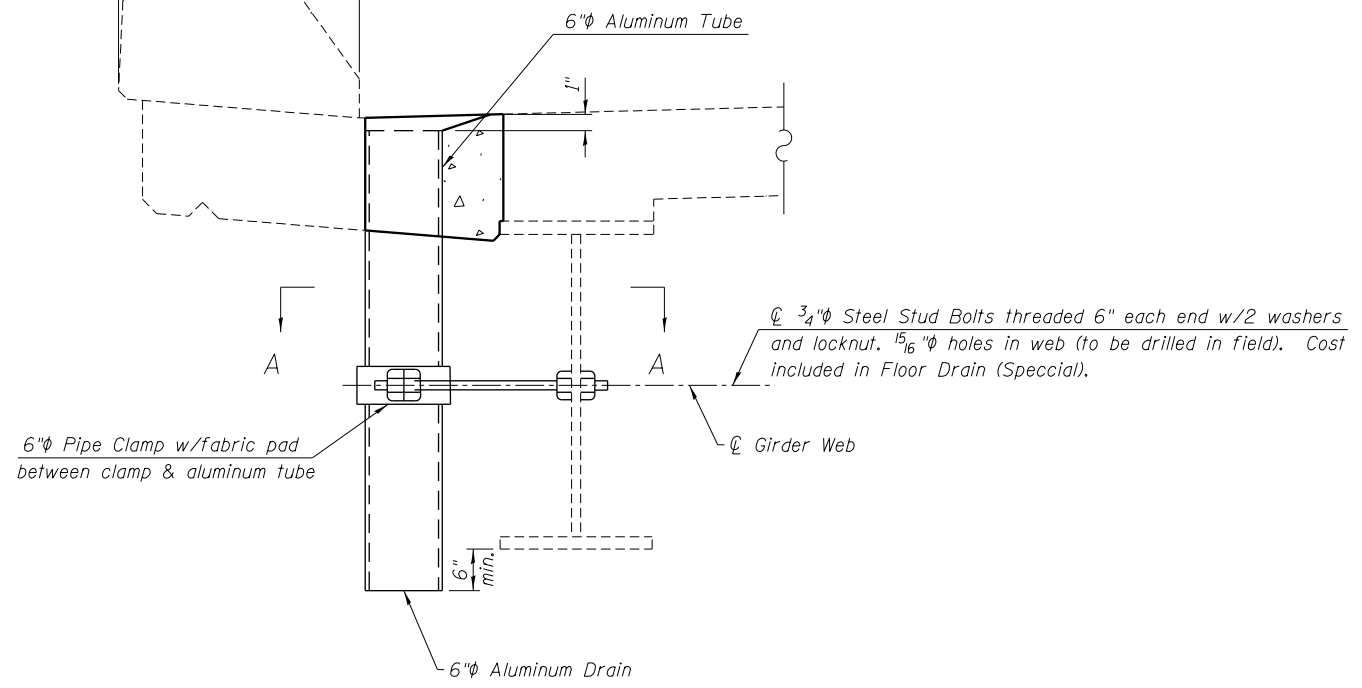
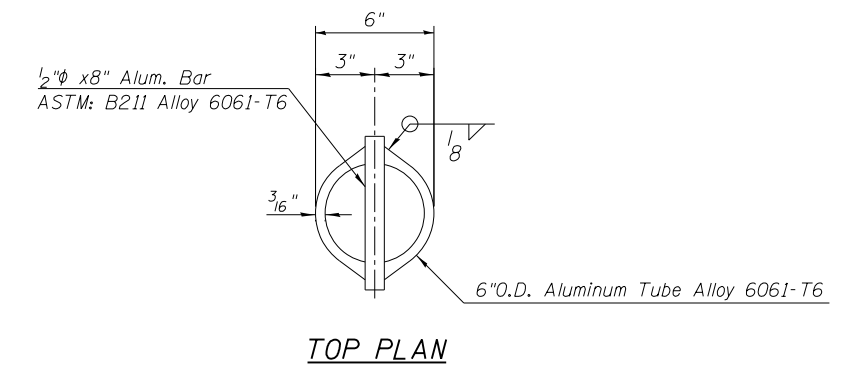
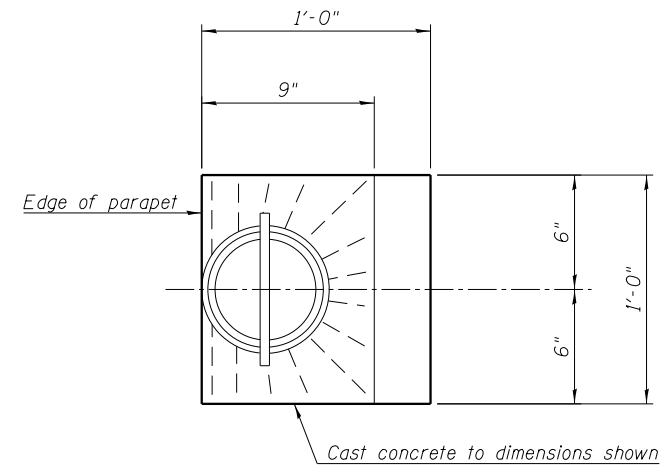
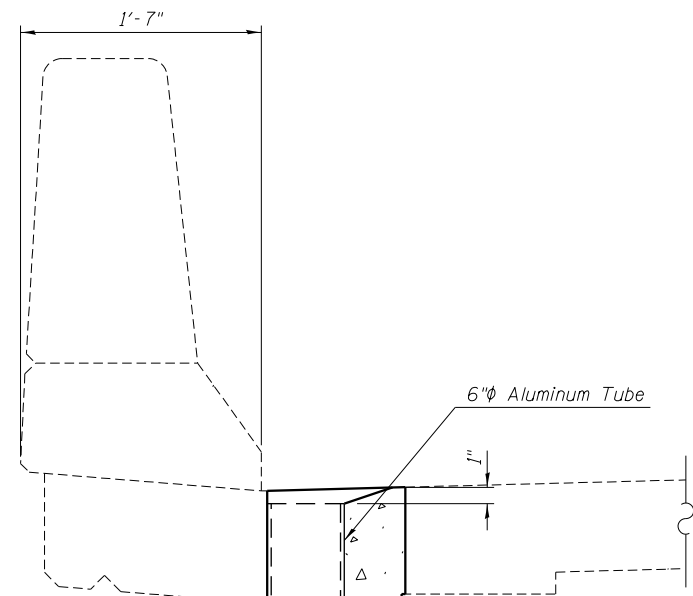


3/25/2013 3:24:18 PM - G:\S\12\0001\Bridges\CAD\Drawings\0220-0221\0600221-76F10-14- Floor_Drain.dgn



BILL OF MATERIAL

Item	Unit	Total
Floor Drain (Special)	Each	2

Note:
The exterior surface of the floor drains shall be painted with the finish coat as specified in Article 1008.04 of the standard specifications. The exterior surface of the drains shall be cleaned according to Society of Protective Coatings Spec. SSPC-SP1 prior to painting. Galvanize clamping device according to AASHTO M232. Cost of clamping device and galvanizing included with Floor Drains.

FILE NAME = 0600221-76F10-14- Floor_Drain.dgn

USER NAME = gchowley	DESIGNED -	REVISED -
	CHECKED -	REVISED -
PLOT SCALE = 0.25' 1' = 1"	DRAWN -	REVISED -
PLOT DATE = 3/25/2013	CHECKED -	REVISED -

**STATE OF ILLINOIS
DEPARTMENT OF TRANSPORTATION**

**FLOOR DRAIN DETAILS
STRUCTURE NO. 060-0221NB**

SHEET NO. 14 OF 19 SHEETS

F.A.I. RTE. 255	SECTION 60-(8,9) RS-1	COUNTY MADISON	TOTAL SHEETS 206	SHEET NO. 164
			CONTRACT NO. 76F10	
ILLINOIS FED. AID PROJECT				

