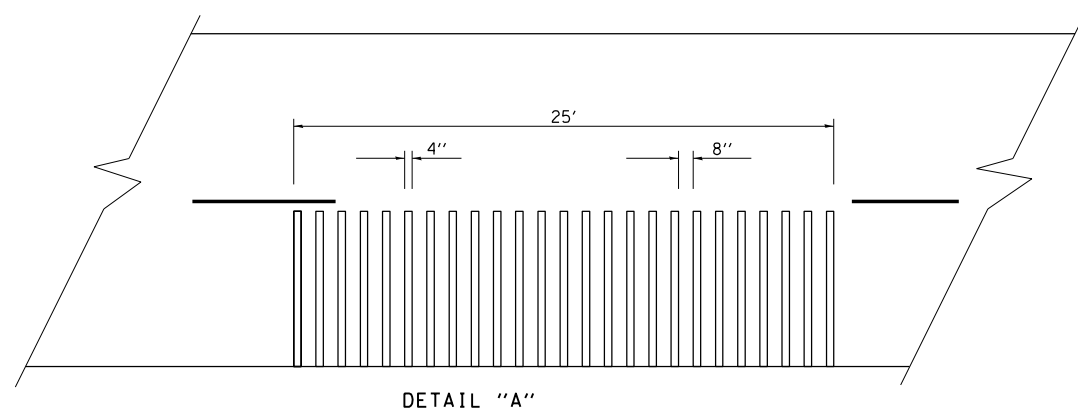
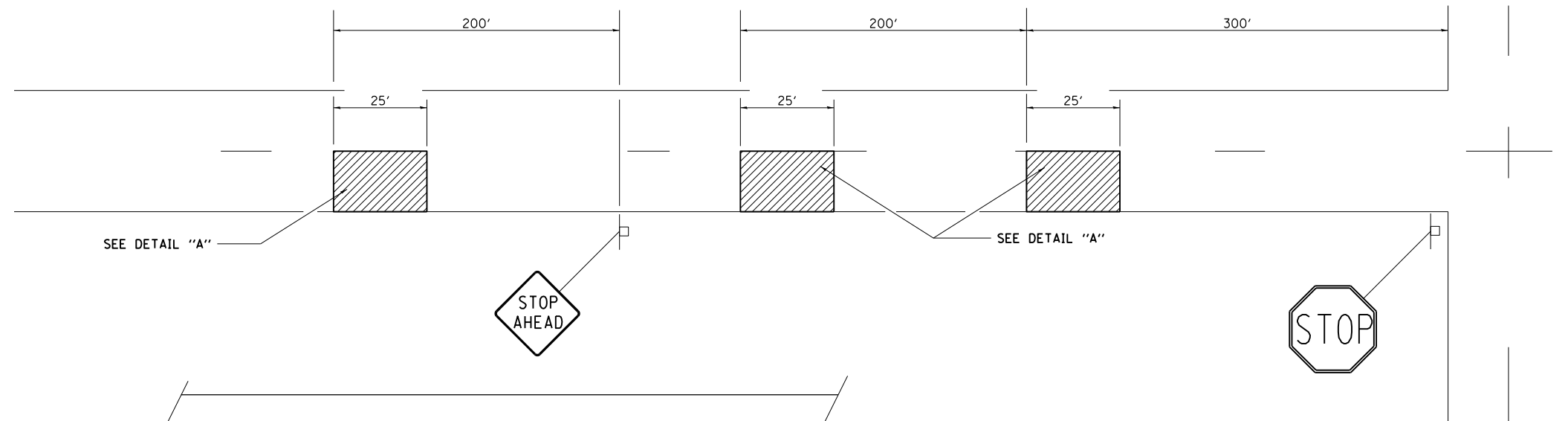
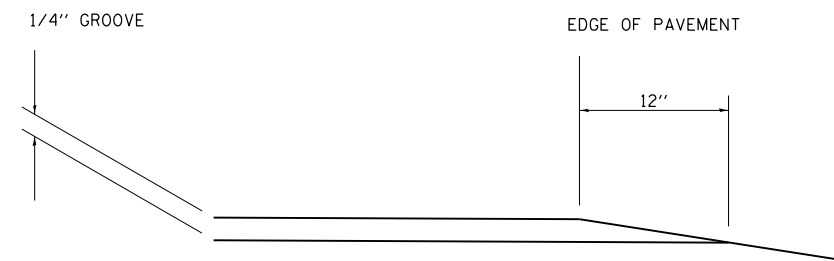
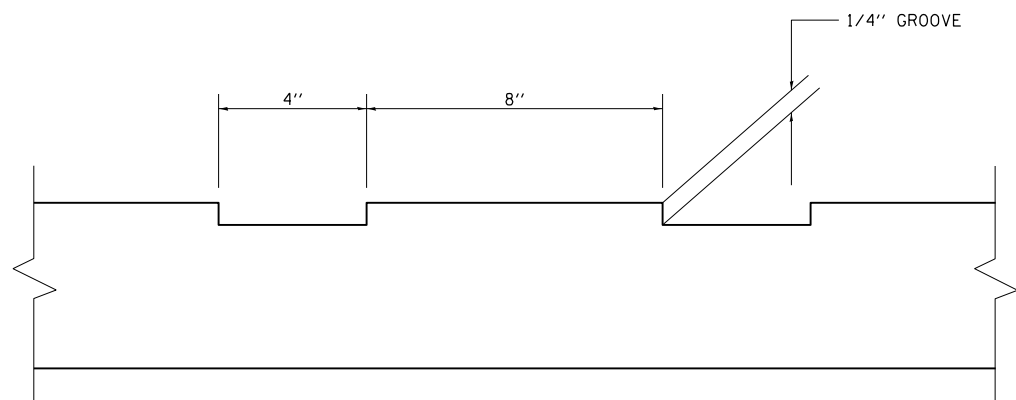


TYPICAL RUMBLE STRIP APPLICATION IN ADVANCE OF AN INTERSECTION



NOTE: THE 25 FEET RUMBLE AREA HAS 4" WIDE GROOVES SAWED INTO THE PAVEMENT, SEPARATED BY 8" OF EXISTING PAVEMENT. THE SAW CUTS SHALL EXTEND 12" INTO THE SHOULDER TO ALLOW FOR DRAINAGE.



NOT TO SCALE

FILE NAME =	USER NAME = steffenmk	DESIGNED -	REVISED - MMO 12-99
ci:\pw\work\p\dot\steffenmk\d0348176\074630-sh1-details.dgn		DRAWN -	REVISED - MKS 04-08
	PLOT SCALE = 100.0000' / in.	CHECKED -	REVISED -
	PLOT DATE = 10/1/2013	DATE -	REVISED -

**STATE OF ILLINOIS
DEPARTMENT OF TRANSPORTATION**

TYPICAL RUMBLE STRIP APPLICATION

SCALE: N/A SHEET NO. 1 OF 1 SHEETS STA. TO STA.

DISTRICT 7 DETAIL NO. Z0055300

F.A.P. RTE.	SECTION	COUNTY	TOTAL SHEETS	SHEET NO.
327	D7 HMA RESURF 2014-2	CLAY	26	26
FED. ROAD DIST. NO.			ILLINOIS FED. AID PROJECT	
CONTRACT NO. 74630				