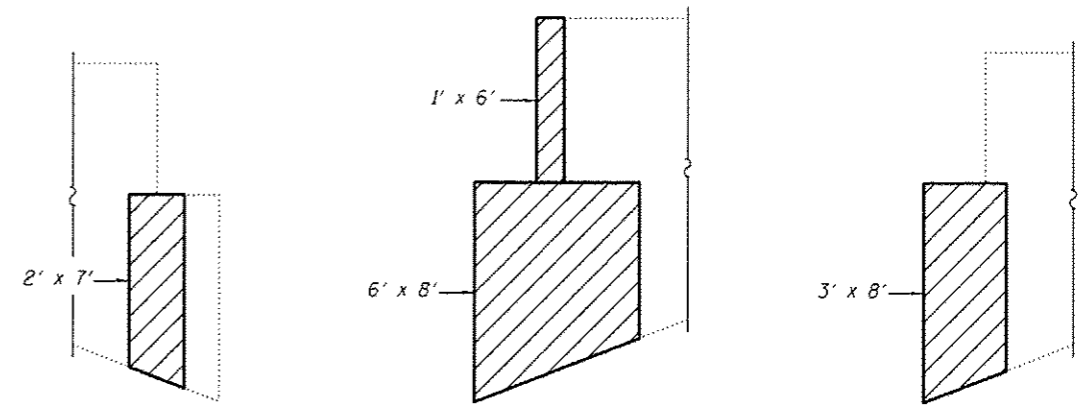


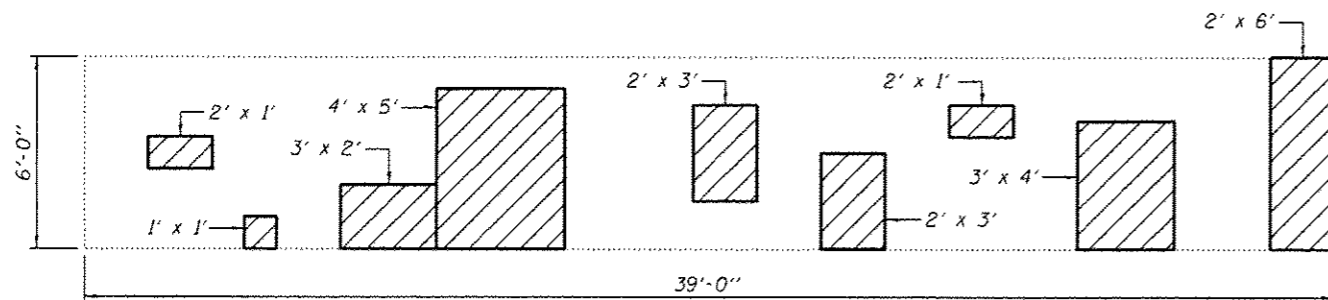
NORTH ABUTMENT



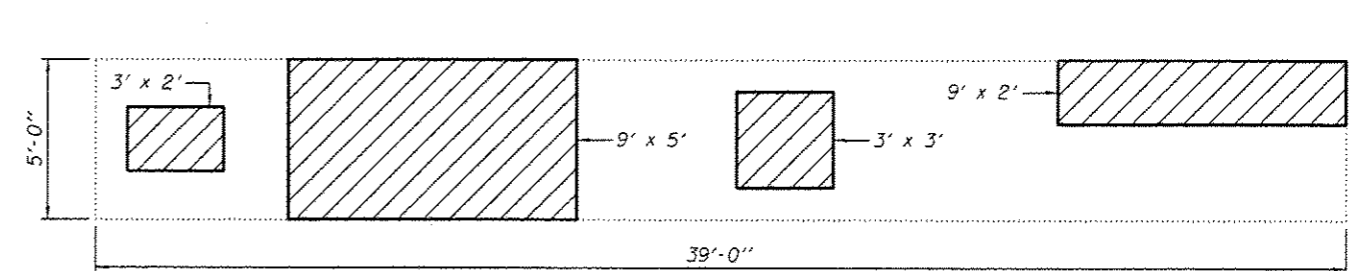
NORTH ABUTMENT WEST FACE

NORTH ABUTMENT EAST FACE

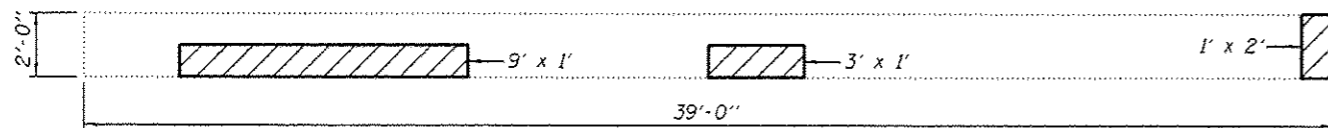
SOUTH ABUTMENT WEST FACE



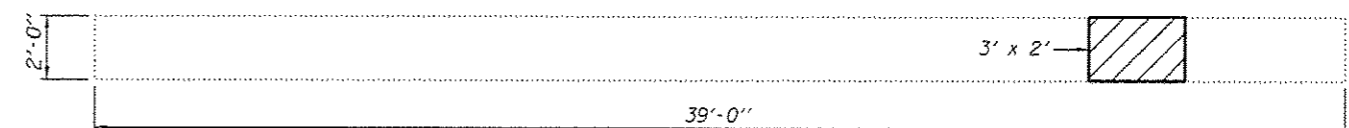
NORTH ABUTMENT BACKWALL



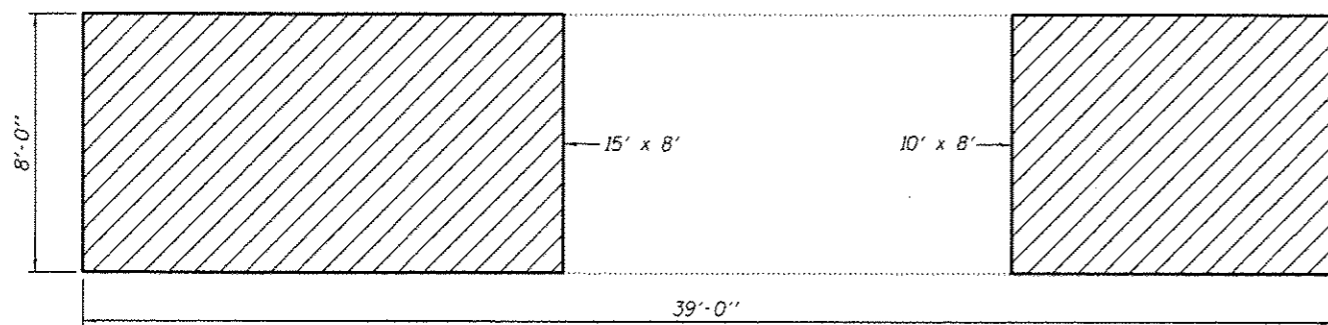
SOUTH ABUTMENT BACKWALL




NORTH ABUTMENT CAP



SOUTH ABUTMENT CAP



SOUTH ABUTMENT

 - Hatched areas indicate delaminated areas.

* This is an estimated quantity. The actual location of delaminated areas and quantities will be determined by the Resident Engineer in the field.

BILL OF MATERIAL

ITEM	UNIT	QUANTITY
Structural Repair of Concrete (Depth ≤ 5 Inches)	Sq. Ft.	627

DESIGNED SMR
 CHECKED TLC
 DRAWN Steffen
 CHECKED SMR TLC

EXAMINED
 PASSED
 ACTING ENGINEER OF BRIDGES AND STRUCTURES

DATE NOVEMBER 12, 2013
 REVISED
 REVISED

STATE OF ILLINOIS
 DEPARTMENT OF TRANSPORTATION

STRUCTURAL REPAIR OF CONCRETE DETAILS
 SN 081-0124

SHEET NO. 4 OF 6 SHEETS

F.A.I. RTE.	SECTION	COUNTY	TOTAL SHEETS	SHEET NO.
88	02 BRIDGE REPAIR 2014-1	ROCK ISLAND	10	6

CONTRACT NO. 64J91
 [ILLINOIS] FED. AID PROJECT