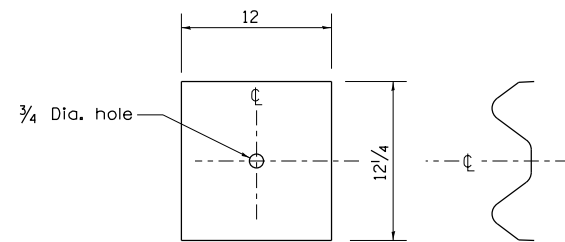
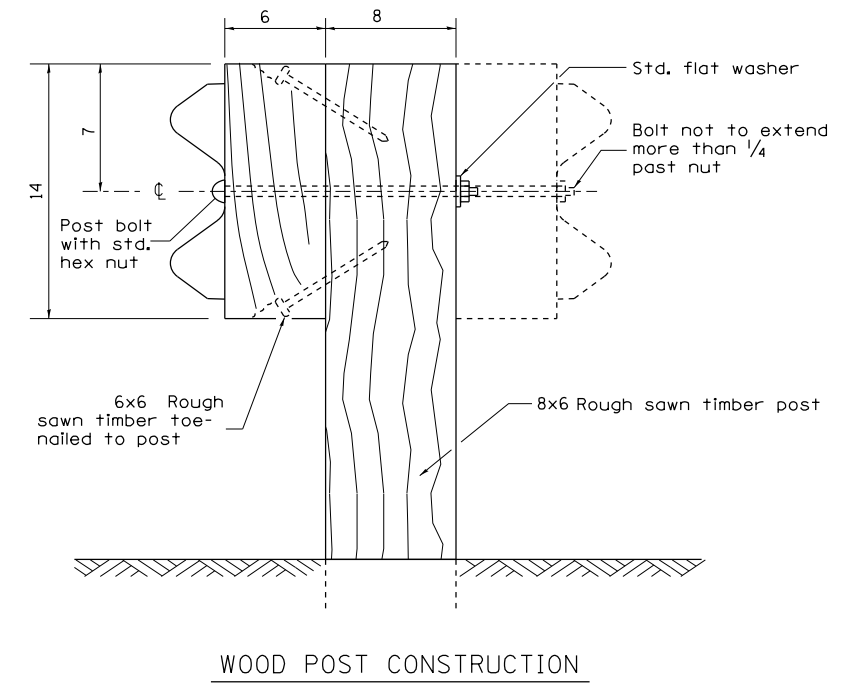
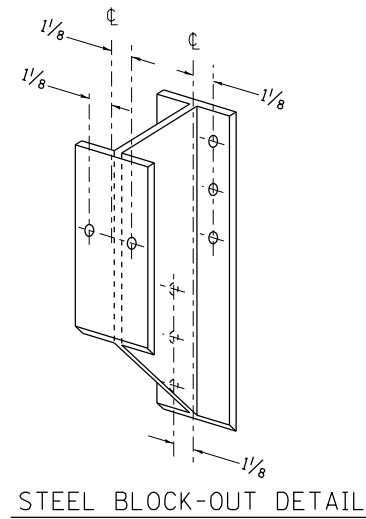
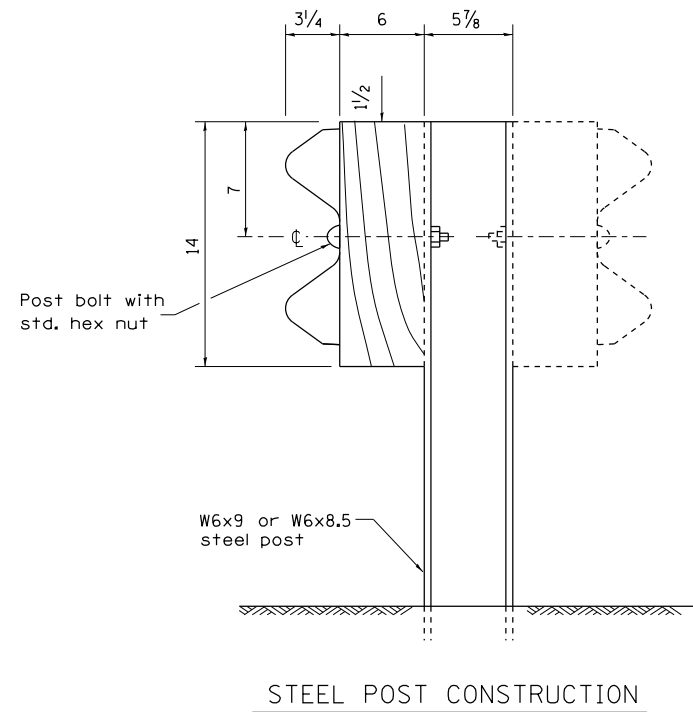


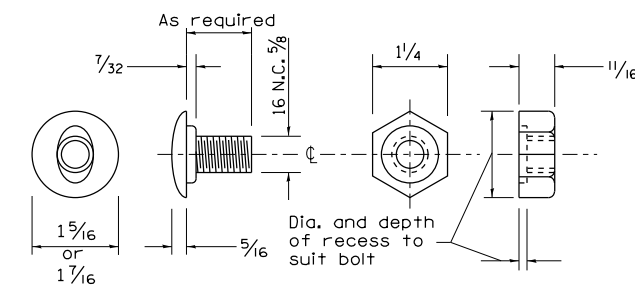
# REMOVE AND REERECT STEEL PLATE BEAM GUARDRAIL



NOTE

Plate A shall be placed between rail element and block-out at non-splice mounting points only when steel block-outs are used.

PLATE A



FILE NAME =	USER NAME = rundbladerr	DESIGNED -	REVISED - 10-18-11
et:\pw\work\p\idot\rundbladerr\d0232736	D201310-shr-cover.dgn	DRAWN -	REVISED -
	PLOT SCALE = 40.0000' / in.	CHECKED -	REVISED -
	PLOT DATE = Thu Oct 10 07:45:31 2013	DATE -	REVISED -

STATE OF ILLINOIS  
DEPARTMENT OF TRANSPORTATION

REGION 2 / DISTRICT 2 STANDARD

SCALE: SHEET NO. OF SHEETS STA. TO STA.

F.A.P. RTE.	SECTION	COUNTY	TOTAL SHEETS	SHEET NO.
650	104T-3	JoDAVISS	97	70
CONTRACT NO. 64F74				
FED. ROAD DIST. NO. ILLINOIS FED. AID PROJECT				