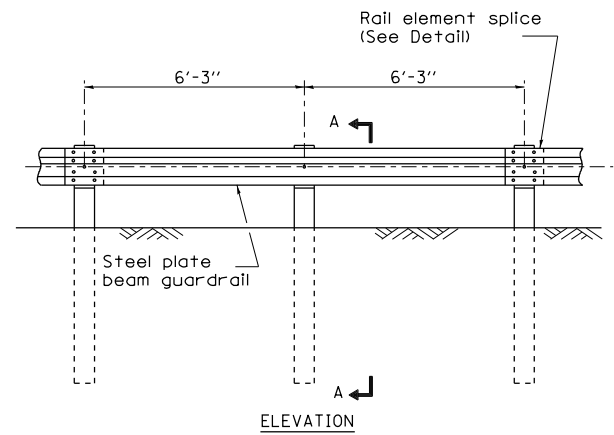
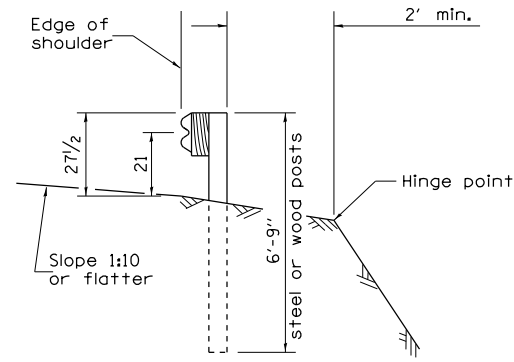


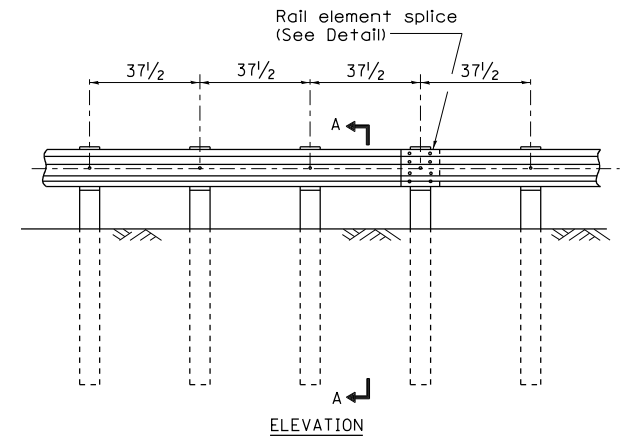
REMOVE AND REERECT STEEL PLATE BEAM GUARDRAIL



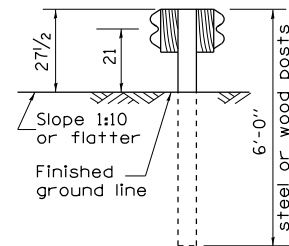
TYPE A
6'-3" Typical post spacing



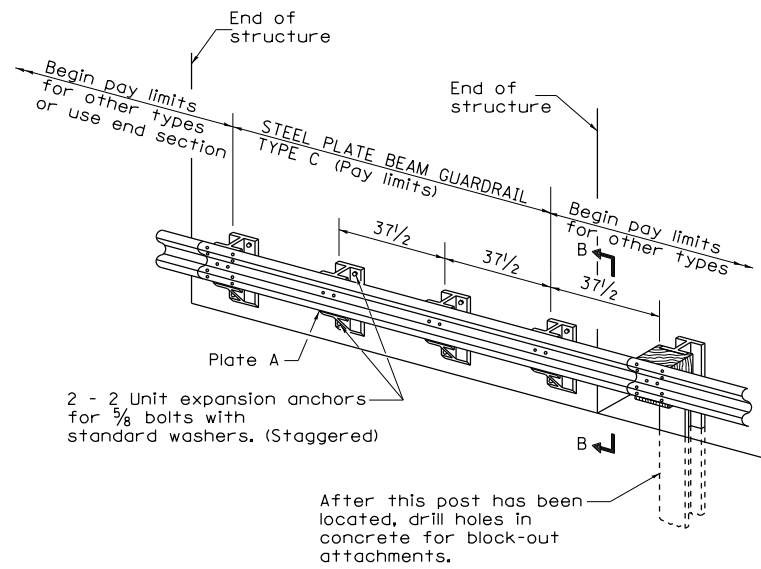
SECTION A-A



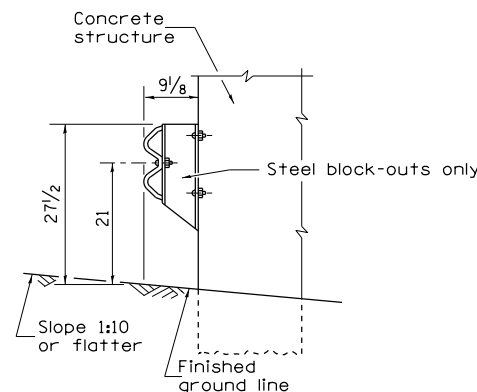
TYPE B
37 1/2" Closed post spacing



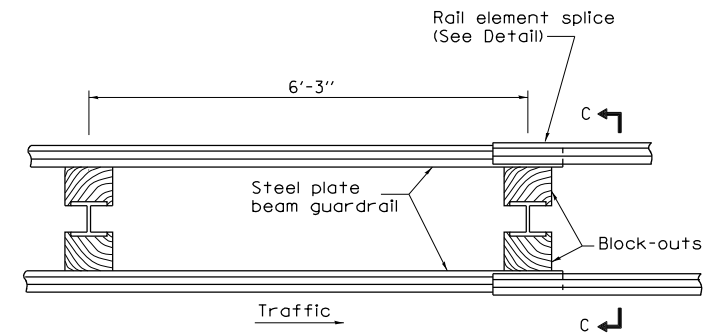
SECTION C-C



TYPE C
37 1/2" Block-out spacing



SECTION B-B



TYPE D
Double steel plate beam guardrail
6'-3" typical post spacing

GENERAL NOTES

All slope ratios are expressed as units of vertical displacement to units of horizontal displacement (V:H).

All dimensions are in inches unless otherwise shown.

The existing steel posts may be drilled to match the bolt pattern shown herein for the wood block-out, or a new steel post shall be provided.

This detail is applicable to the guardrail system used prior to January 1, 2007. For details on the Midwest Guardrail System, see Standard 630001.

FILE NAME =	USER NAME = rundbladerr	DESIGNED -	REVISED - 10-18-11
et:\pw\work\p\midot\rundbladerr\d0232736	D201310-shr-cover.dgn	DRAWN -	REVISED -
	PLOT SCALE = 40.0000' / in.	CHECKED -	REVISED -
	PLOT DATE = Thu Oct 10 07:45:16 2013	DATE -	REVISED -

STATE OF ILLINOIS
DEPARTMENT OF TRANSPORTATION

REGION 2 / DISTRICT 2 STANDARD

SCALE: SHEET NO. OF SHEETS STA. TO STA.

F.A.P. RTE.	SECTION	COUNTY	TOTAL SHEETS	SHEET NO.
650	104T-3	JoDAVISS	97	69
CONTRACT NO. 64F74				
FED. ROAD DIST. NO. ILLINOIS FED. AID PROJECT				