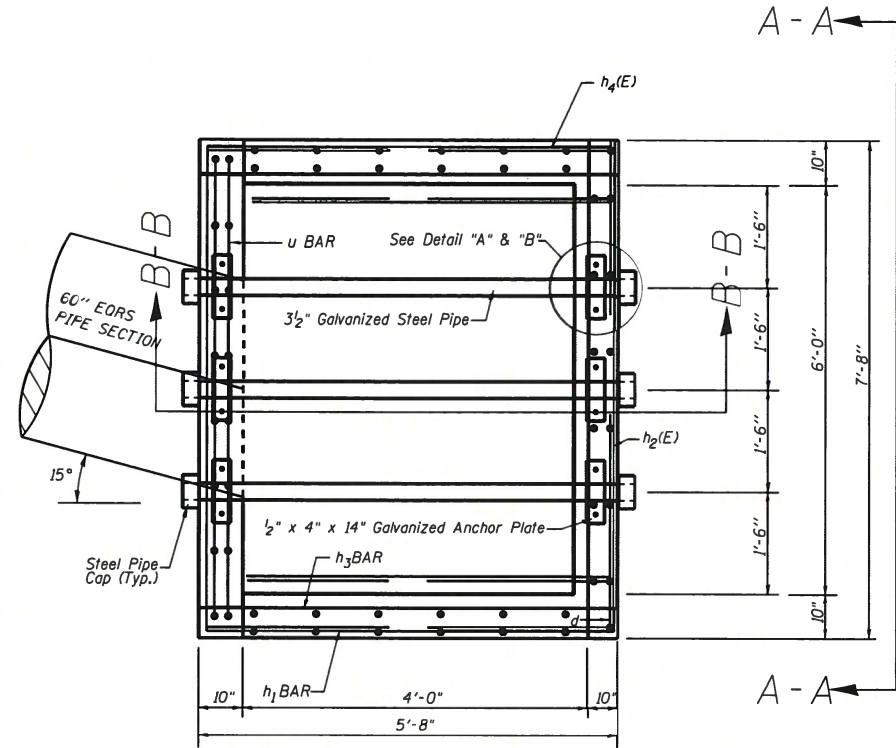
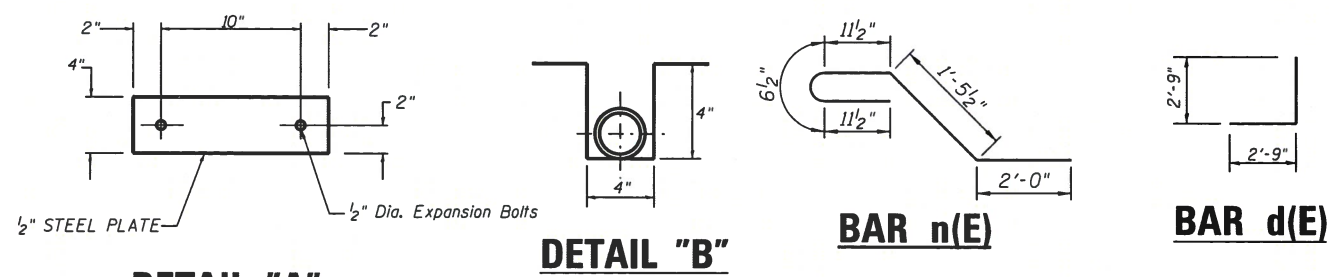


DROPBOX #2 PLAN
IL RTE 78
F.A.P. RTE 642
SECTION 104T-3
JO DAVIESS COUNTY
STA. 1096 + 25
STR. NO. 043-1097



PLAN



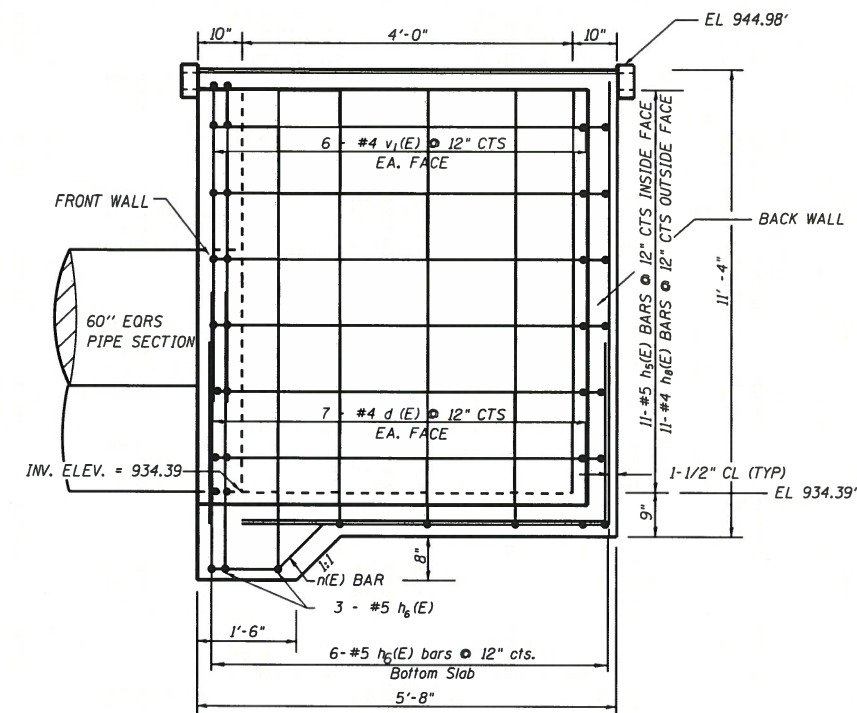
GENERAL NOTES

1. Work shall be done according to the applicable portion of 503, 508, and 542 of the standard specifications.
2. Class "si" Concrete shall be used. $f'c = 4,000$ psi. Exposed edges shall be $3/4"$.
3. The contract unit price "each" for DROPBOX NO. 2 shall include the Expansion Bolts, Galvanized Pipe, Class "si" Concrete, Reinforcement Bars, Bolts, Nuts, Washers, Steel Plates, Steps, Earth Excavation where required, and necessary grading to fit the inlet as shown in the cross sections or to the slope.
4. Reinforcement Bars shall conform to the requirements of ASTM A706, Grade 60.
5. Steel Plates shall conform to AASHTO M-183 and shall be Galvanized Conforming to AASHTO M-111.
6. Bolts, Nuts, and Washers shall be in accordance with Article 1006.08 of the Standard Specification and shall be Galvanized.
7. Contractor shall field verify Galvanized Pipe length.
8. See STD 602701 for Manhole steps.
9. Steel pipes shall conform to A.S.T.M. A-53 (Type E or S) Grade B, Schedule 40, & Shall be galvanized conforming to A.S.T.M. A-120.

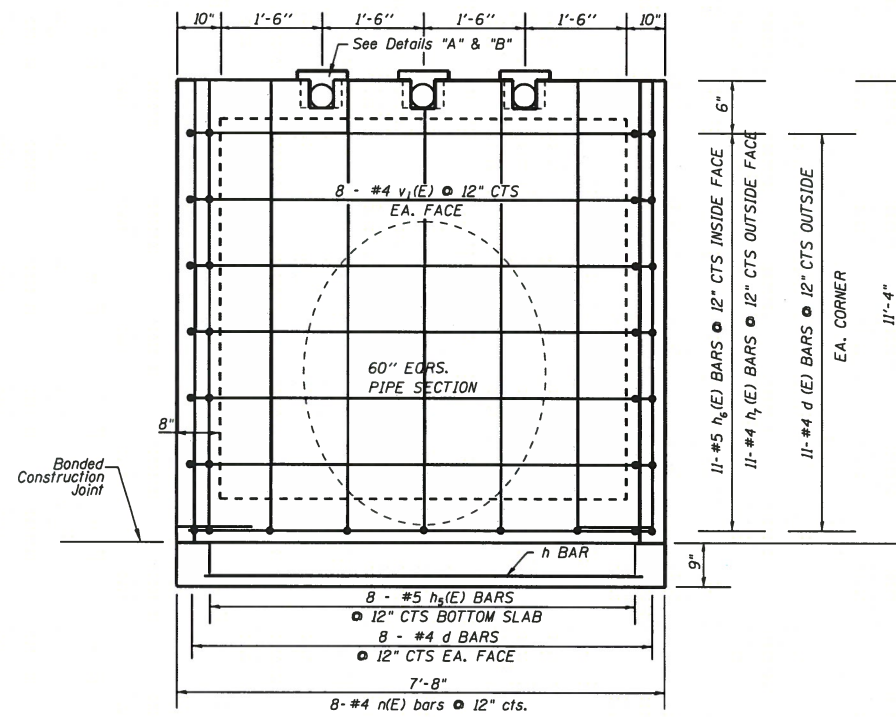
BILL OF MATERIALS
 (FOR REINFORCEMENT)

BAR	SIZE	NUMBER	LENGTH	WEIGHT
d (E)	# 4	74	5' - 6"	271.88
h 5 (E)	# 4	30	5' - 4"	106.88
h 6 (E)	# 5	31	7' - 4"	237.11
h 7 (E)	# 4	22	7' - 4"	107.77
h 8 (E)	# 4	22	7' - 4"	107.77
n (E)	# 4	8	5' - 11"	31.62
v 1 (E)	# 4	56	10' - 5"	389.67
DESCRIPTION			UNIT	QTY
Concrete Structures			Cu.Yd.	10.50
Reinforcement Bars, Epoxy Coated			Lbs.	1,253

NOTE: CUT OR ROTATE BARS IN CONFLICT WITH PIPE SECTION.



SECTION B-B



VIEW A-A

WENDLER ENGINEERING SERVICES, INC.
 Illinois Professional Design
 Firm No. 184-00848

For Structural Adequacy Only

DATE
 SCOTT A. BROWN
 DIXON, ILLINOIS
 ILLINOIS LICENSED STRUCTURAL ENGINEER NO. 081-005981
 EXPIRES 11-30-2014



USER NAME = rundlederr
 WES JOB # = 2130199
 PLOT SCALE = 2,0000' / in.
 PLOT DATE = Thu Oct 10 08:07:27 2013

DESIGNED - SB
 DRAWN - BEH
 CHECKED -
 DATE - 09/13/2013

REVISED -
 REVISED -
 REVISED -
 REVISED -

STATE OF ILLINOIS
DEPARTMENT OF TRANSPORTATION

DROPBOX #2 PLAN
STA. 1096 + 25

SCALE: SHEET NO. 1 OF 1 SHEETS STA. 1096+25

F.A. RTE.	SECTION	COUNTY	TOTAL SHEETS	SHEET NO.
642	104T-3	JO DAVIESS	97	61
CONTRACT NO. 64F74				

FED. ROAD DIST. NO. ILLINOIS FED. AID PROJECT