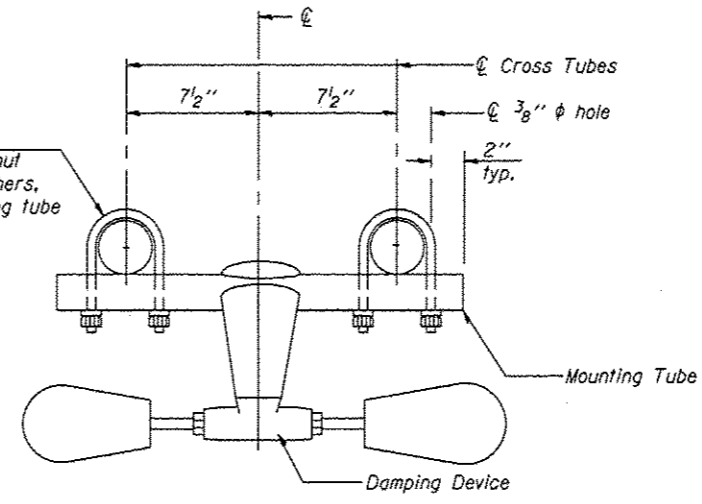
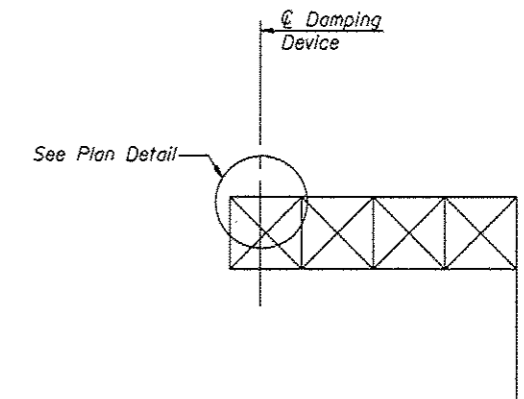


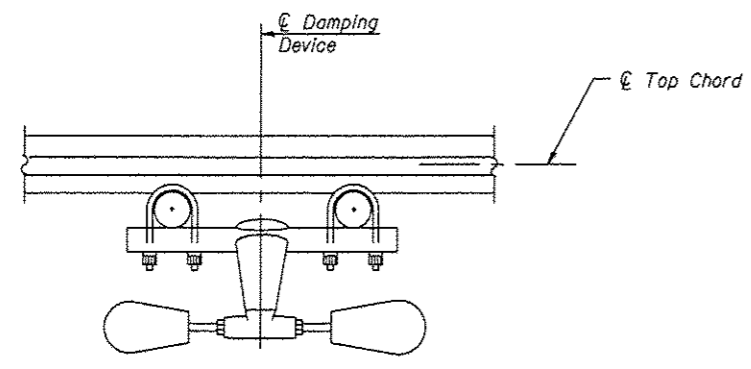
PLAN DETAIL



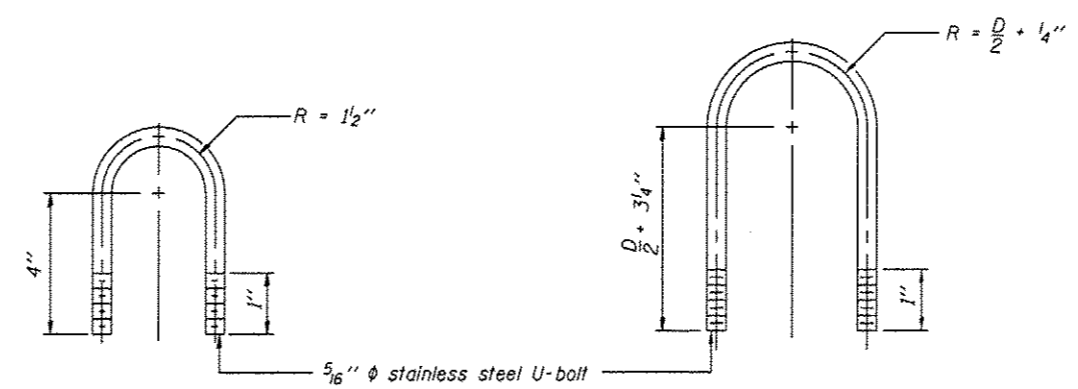
TRUSS DAMPING DEVICE CONNECTION DETAIL



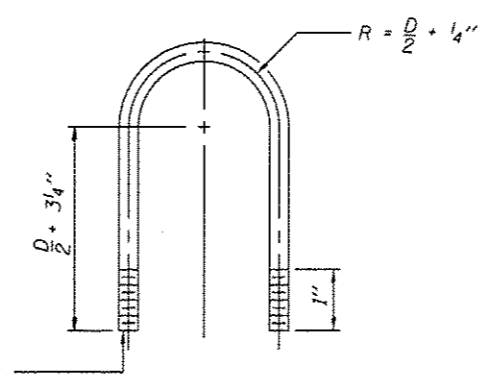
ELEVATION  
Aluminum Cantilever  
Sign Structure



SECTION A-A



DAMPING DEVICE MOUNTING  
TUBE U-BOLT DETAIL  
(Typical)



TOP CHORD TO CROSS TUBE  
U-BOLT DETAIL  
(Typical)

**GENERAL NOTES**  
 Damper: One damper per truss. (31 lbs. Stockbridge-Type Aluminum-29" minimum between ends of weights)  
 Materials: Aluminum tubes shall be ASTM B221 alloy 6061 temper T6

OSC-A-D

6-1-12

FILE NAME * P:\SIGN STRUCTURES\SignRepl.dgn	USER NAME * posedaada	DESIGNED - _____	REVISED - _____
Default	PLOT SCALE * 100.0002 % / in.	DRAWN - _____	REVISED - _____
	PLOT DATE * Aug-27-2013 11:57:157AM	CHECKED - _____	REVISED - _____
		DATE - _____	REVISED - _____

STATE OF ILLINOIS  
DEPARTMENT OF TRANSPORTATION

CANTILEVER SIGN STRUCTURE			
DAMPING DEVICE			
SCALE: _____	SHEET _____	OF _____	SHEETS
STA. _____	TO STA. _____		

F.A. RTE.	SECTION	COUNTY	TOTAL SHEETS	SHEET NO.
V&B	DISIBICT_6	YABIGUS	30	21
			CONTRACT NO. 46305	
[ILLINOIS] FED. AID PROJECT				