

* Center of horizontal to center of splice dimension may vary. Verify before drilling holes in mounting tube.

PLAN DETAIL "A"
@ Span between Panel Points

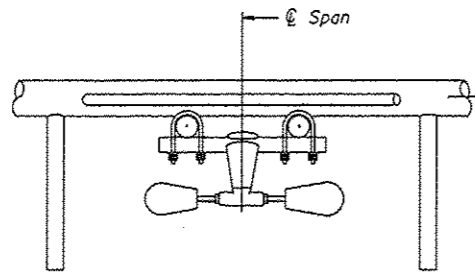
PLAN DETAIL "B"
@ Span at Panel Point

PLAN DETAIL "C"
@ Span at @ Chord Splice

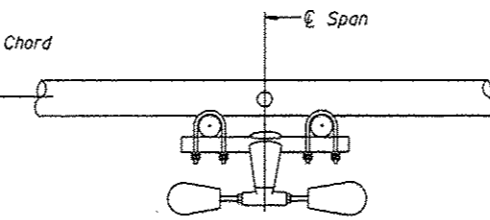
NOTES

Damper: One damper per truss. (31 lbs. minimum Stockbridge-Type Aluminum - 29" minimum between ends of weights) Cost included in Overhead Sign Structure...

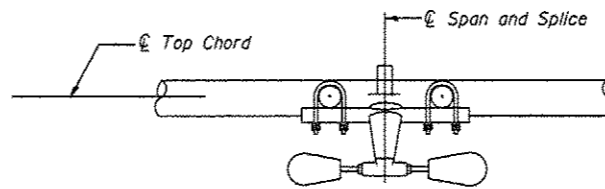
Materials: Materials: Aluminum tubes shall be ASTM B221 alloy 6061 Temper T6. Cost included in Overhead Sign Structure...



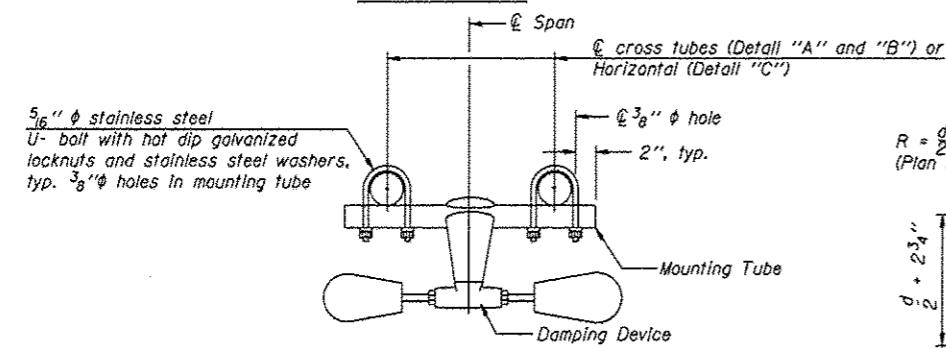
SECTION A-A



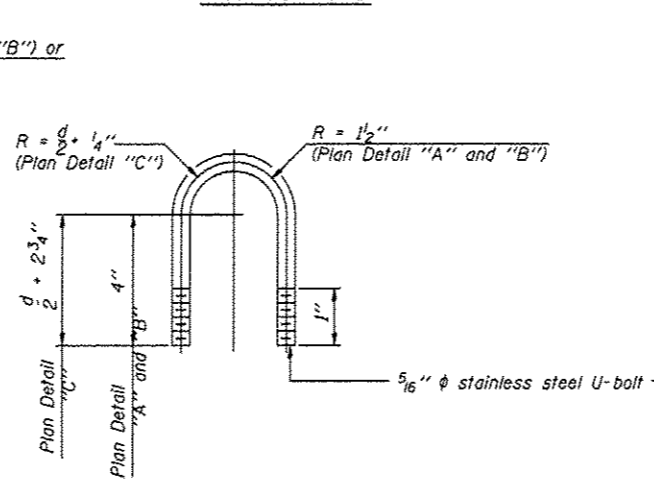
SECTION B-B



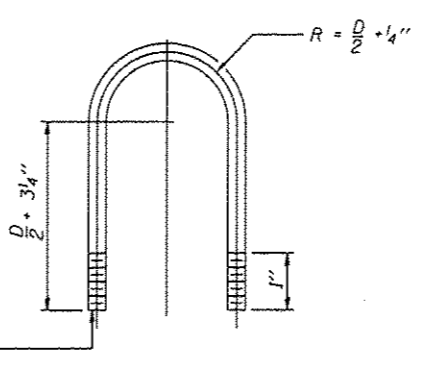
SECTION C-C



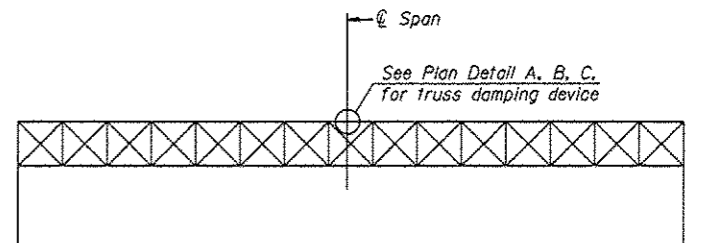
TRUSS DAMPING
DEVICE CONNECTION DETAIL
(Typical)



DAMPING DEVICE MOUNTING
TUBE U-BOLT DETAIL
(Typical)



TOP CHORD TO CROSS TUBE
U-BOLT DETAIL
(Typical - Detail "A" and "B")



ELEVATION
Aluminum Overhead
Sign Truss

OS-A-D 6-1-12

FILE NAME * P:\SIGN STRUCTURES\SignRepl.dgn Default	USER NAME * poseadae	DESIGNED - _____	REVISED - _____	STATE OF ILLINOIS DEPARTMENT OF TRANSPORTATION	OVERHEAD SIGN STRUCTURE DAMPING DEVICE				F.A. _____	SECTION _____	COUNTY _____	TOTAL SHEETS _____	SHEET NO. _____		
	PLOT SCALE * 100.0002 ft / in.	DRAWN - _____	REVISED - _____		SCALE: _____	SHEET _____	OF _____	SHEETS _____	STA. _____	TO STA. _____	YAB _____	DISTRICT 6 _____	YABIOUS _____	30 _____	9 _____
	PLOT DATE * Aug-27-2013 11:54:37AM	CHECKED - _____	REVISED - _____		CONTRACT NO. 46305	[ILLINOIS] FED. AID PROJECT									
	DATE - _____	REVISED - _____													